

USB MIXING STUDIO

MW8CX / MW10C

SERVICE MANUAL



MW8CX



MW10C

■ CONTENTS (目次)

| | |
|------------------------------------|-------|
| SPECIFICATIONS (総合仕様) | 3/6 |
| CIRCUIT BOARD LAYOUT (ユニットレイアウト) | 9 |
| DIMENSIONS (寸法図) | 9 |
| PANEL LAYOUT (パネルレイアウト) | 10 |
| GENERAL SCHEMATIC DIAGRAM (総組立配線図) | 14 |
| DISASSEMBLY PROCEDURE (分解手順) | 18 |
| LSI PIN DESCRIPTION (LSI 端子機能表) | 24 |
| IC BLOCK DIAGRAM (IC ブロック図) | 26 |
| CIRCUIT BOARD (シート基板図) | 27 |
| INSPECTIONS (検査) | 36/44 |
| PARTS LIST | |
| BLOCK DIAGRAM (ブロックダイアグラム) | |
| CIRCUIT DIAGRAM (回路図) | |

IMPORTANT NOTICE

This manual has been provided for the use of authorized Yamaha Retailers and their service personnel. It has been assumed that basic service procedures inherent to the industry, and more specifically Yamaha Products, are already known and understood by the users, and have therefore not been restated.

WARNING : Failure to follow appropriate service and safety procedures when servicing this product may result in personal injury, destruction of expensive components and failure of the product to perform as specified. For these reasons, we advise all Yamaha product owners that all service required should be performed by an authorized Yamaha Retailer or the appointed service representative.

IMPORTANT : This presentation or sale of this manual to any individual or firm does not constitute authorization certification, recognition of any applicable technical capabilities, or establish a principal-agent relationship of any form.

The data provided is believed to be accurate and applicable to the unit(s) indicated on the cover. The research engineering, and service departments of Yamaha are continually striving to improve Yamaha products. Modifications are, therefore, inevitable and changes in specification are subject to change without notice or obligation to retrofit. Should any discrepancy appear to exist, please contact the distributor's Service Division.

WARNING : Static discharges can destroy expensive components. Discharge any static electricity your body may have accumulated by grounding yourself to the ground bus in the unit (heavy gauge black wires connect to this bus.)

IMPORTANT : Turn the unit OFF during disassembly and parts replacement. Recheck all work before you apply power to the unit.

WARNING: CHEMICAL CONTENT NOTICE!

The solder used in the production of this product contains LEAD. In addition, other electrical/electronic and/or plastic (Where applicable) components may also contain traces of chemicals found by the California Health and Welfare Agency (and possibly other entities) to cause cancer and/or birth defects or other reproductive harm.

DO NOT PLACE SOLDER, ELECTRICAL/ELECTRONIC OR PLASTIC COMPONENTS IN YOUR MOUTH FOR ANY REASON WHAT SO EVER!

Avoid prolonged, unprotected contact between solder and your skin! When soldering, do not inhale solder fumes or expose eyes to solder/flux vapor!

If you come in contact with solder or components located inside the enclosure of this product, wash your hands before handling food.

IMPORTANT NOTICE FOR THE UNITED KINGDOM**Connecting the Plug and Cord**

IMPORTANT. The wires in this mains lead are coloured in accordance with the following code:

BLUE : NEUTRAL

BROWN : LIVE

As the colours of the wires in the mains lead of this apparatus may not correspond with the coloured markings identifying the terminals in your plug proceed as follows:

The wire which is coloured BLUE must be connected to the terminal which is marked with the letter N or coloured BLACK.


The wire which is coloured BROWN must be connected to the terminal which is marked with the letter L or coloured RED.

Making sure that neither core is connected to the earth terminal of the three pin plug.

• This applies only to products distributed by Yamaha-Kemble Music (U.K.) Ltd.

(2 wires)

WARNING

Components having special characteristics are marked  and must be replaced with parts having specification equal to those originally installed.



印の部品は、安全を維持するために重要な部品です。交換する場合は、安全のために必ず指定の部品をご使用ください。

SPECIFICATIONS

Electrical Specifications

| | | MIN | TYP | MAX | UNIT | |
|---|---|---|------|------|------|-----|
| Frequency Response | STEREO OUT | GAIN: min (CHs 1–5/6) 20 Hz – 20 kHz | | -3.0 | dB | |
| | EFFECT SEND (AUX SEND*) | Nominal output level @1 kHz | | -3.0 | | |
| | MONITOR OUT, REC OUT | | | -3.0 | | |
| Total Harmonic Distortion (THD + N) | STEREO OUT | +14 dBu, 20 Hz – 20 kHz, Input Gain Control at minimum | | | 0.1 | % |
| Hum & Noise Hum & Noise are measured with a 6 dB/octave filter @12.7 kHz; equivalent to a 20 kHz filter with infinite dB/octave attenuation. | Input: CH INPUT 1, 2 MIC | EIN (Equivalent Input Noise): Rs = 150 Ω, GAIN: maximum (CH1, 2) | | | -128 | dBu |
| | STEREO OUT | STEREO Master control at nominal level and all CH Level control at minimum. | | | -87 | |
| | EFFECT SEND (AUX SEND*) | All CH EFFECT (AUX*) controls at minimum. | | | -85 | |
| | STEREO OUT | STEREO Master control and one CH level control at nominal level (CH1, 2) | | | -64 | |
| | STEREO OUT | Residual Output Noise | | | -100 | |
| Crosstalk (1 kHz) | Adjacent Input | CH1, 2 | | | -70 | dB |
| | Input to Output | STEREO L/R, CH 1, 2, PAN: panned hard left or right | | | -70 | |
| Maximum Voltage Gain (1 kHz) All level controls are maximum when measured PAN/BAL: panned hard left or hard right. | Rs = 150 Ω INPUT GAIN: maximum | MIC to CH INSERT OUT | | 60 | dB | |
| | | MIC to STEREO OUT | | 76 | | |
| | | MIC to REC OUT | | 58.2 | | |
| | | MIC to MONITOR OUT | | 92 | | |
| | | MIC to PHONES OUT | | 81 | | |
| | | MIC to EFFECT SEND (AUX SEND*) | | 76 | | |
| | | LINE to STEREO OUT | | 50 | | |
| | | LINE to EFFECT SEND (AUX SEND*) | | 47 | | |
| | ST CH 7/8, (CHs 7/8, 9/10*) to STEREO OUT | | 26 | | | |
| | Rs = 150 Ω | RETURN to STEREO OUT | | 12 | | |
| Rs = 600 Ω | 2TR IN to STEREO OUT | | 23.8 | | | |
| Phantom Voltage | MIC | no load | | 48 | V | |

General Specifications

| | | |
|--|--|---|
| USB Audio | Input/Output: 44.1/48 kHz | |
| Input HPF | CHs 1 – 5/6, 80 Hz, 12 dB/oct | |
| Input Equalization Turn over/roll-off frequency of shelving: 3 dB below maximum variable level. ±15 dB maximum | CHs 1 – 5/6 | HIGH: 10 kHz (shelving) |
| | | MID: 2.5 kHz (peaking) |
| | CH 7/8 (CHs 7/8, 9/10*) | LOW: 100 Hz (shelving) |
| | | HIGH: 10 kHz (shelving) |
| | | LOW: 100 Hz (shelving) |
| PEAK Indicator | Red LED turns on when post EQ signal (either post MIC HA or post EQ signal for CHs 3/4, 5/6) reaches -3 dB below clipping (+17 dBu). | |
| Internal Digital Effect (Only MW8CX) | 16 PROGRAM, PARAMETER control Foot Switch (Digital Effect On/Off) | |
| LED Level Mete | Pre MONITOR Level | 2x7 points LED meter (PEAK, +6, +3, 0, -5, -10, -20 dB) PEAK lights if the signal level reaches 3 dB below the clipping level. |
| Power Supply Adaptor | PA-10 | AC 38 VCT, 0.62 A, Cable Length = 3.6 m |
| Power Consumption | 21 W | |
| Dimensions (W x H x D) | 256.6 mm x 62.2 mm x 302.5 mm | |
| Net Weight | 1.7 kg (MW8CX), 1.6 kg (MW10C) | |

All level controls are nominal if not specified.
Output impedance of signal generator: 150 ohms

* The MW8CX feature is described first, followed by the MW10C feature in brackets: MW8CX (MW10C)

■ Analog Input Specifications

| Input Connectors | Gain | Input Impedance | Appropriate Impedance | Sensitivity ** | Nominal Level | Max. before Clipping | Connector Specifications |
|---------------------------------------|--------|-----------------|-----------------------|--------------------|--------------------|----------------------|--|
| CH INPUT MIC (CHs 1, 2) | -60 dB | 3 kΩ | 50–600 Ω Mics | -72 dBu (0.195 mV) | -60 dBu (0.775 mV) | -40 dBu (7.75 mV) | XLR-3-31 type (balanced [1 = GND, 2 = HOT, 3 = COLD]) |
| | -16 dB | | | -28 dBu (30.8 mV) | -16 dBu (123 mV) | +4 dBu (1.23V) | |
| CH INPUT LINE (CHs 1, 2) | -34 dB | 10 kΩ | 600 Ω Lines | -46 dBu (3.88 mV) | -34 dBu (15.5 mV) | -14 dBu (155 mV) | TRS phone jack (balanced [Tip = HOT, Ring = COLD, Sleeve = GND]) |
| | +10 dB | | | - 2 dBu (0.615 V) | +10 dBu (2.45 V) | +30 dBu (24.5 V) | |
| ST CH MIC INPUT (CHs 3/4, 5/6) | -60 dB | 3 kΩ | 50–600 Ω Mics | -72 dBu (0.195 mV) | -60 dBu (0.775 mV) | -40 dBu (7.75 mV) | XLR-3-31 type (balanced [1 = GND, 2 = HOT, 3 = COLD]) |
| | -16 dB | | | -28 dBu (30.8 mV) | -16 dBu (123 mV) | -6 dBu (389 mV) | |
| ST CH LINE INPUT (CHs 3/4, 5/6) | -34 dB | 10 kΩ | 600 Ω Lines | -46 dBu (3.88 mV) | -34 dBu (15.5 mV) | -14 dBu (155 mV) | Phone jack (unbalanced) |
| | +10 dB | | | - 2 dBu (0.615 V) | +10 dBu (2.45 V) | +30 dBu (24.5V) | |
| ST CH INPUT (CH 7/8 (CHs 7/8, 9/10)*) | — | 10 kΩ | 600 Ω Lines | -22 dBu (61.5 mV) | -10 dBu (245 mV) | +10 dBu (2.45 V) | Phone jack (unbalanced) RCA pin jack |
| CH INSERT IN (CHs 1, 2) | — | 10 kΩ | 600 Ω Lines | -12 dBu (195 mV) | 0 dBu (0.775 V) | +20 dBu (7.75 V) | TRS phone jack (unbalanced [Tip = Out, Ring = In, Sleeve = GND]) |
| RETURN (L, R) | — | 10 kΩ | 600 Ω Lines | - 8 dBu (308 mV) | +4 dBu (1.23 V) | +24 dBu (12.3 V) | Phone jack (unbalanced) |
| 2TR IN (L, R) | — | 10 kΩ | 600 Ω Lines | -22 dBV (79.4 mV) | -10 dBV (0.316 V) | +10 dBV (3.16 V) | RCA pin jack |

Where 0 dBu = 0.775 Vrms and 0 dBV= 1 Vrms

** Sensitivity : The lowest level that will produce an output of +4 dB (1.23 V), or the nominal output level when the unit is set to the maximum level. (All level controls are at their maximum position.)

■ Analog Output Specifications

| Output Connectors | Output Impedance | Appropriate Impedance | Nominal Level | Max. before clipping | Connector Specifications |
|--------------------------|------------------|-----------------------|-------------------|----------------------|--|
| STEREO OUT (L, R) | 150 Ω | 10 kΩ Lines | +4 dBu (1.23 V) | +20 dBu (7.75 V) | TRS phone jack (impedance balanced [Tip = HOT, Ring = COLD, Sleeve = GND]) |
| EFFECT SEND (AUX SEND*) | 150 Ω | 10 kΩ Lines | +4 dBu (1.23 V) | +20 dBu (7.75 V) | TRS phone jack (impedance balanced [Tip = HOT, Ring = COLD, Sleeve = GND]) |
| CH INSERT OUT (CHs 1, 2) | 75 Ω | 10 kΩ Lines | 0 dBu (0.775 V) | +20 dBu (7.75 V) | TRS phone jack (unbalanced [Tip = OUT, Ring = IN, Sleeve = GND]) |
| REC OUT (L, R) | 600 Ω | 10 kΩ Lines | -10 dBV (0.316 V) | +10 dBV (3.16 V) | RCA Pin jack |
| MONITOR OUT (L, R) | 150 Ω | 10 kΩ Lines | +4 dBu (1.23 V) | +20 dBu (7.75 V) | TRS phone jack (impedance balanced [Tip = HOT, Ring = COLD, Sleeve = GND]) |
| PHONES OUT | 100 Ω | 40 Ω Phones | 3 mW | 75 mW | TRS phone jack |

Where 0 dBu = 0.775 Vrms and 0 dBV= 1 Vrms

* The MW8CX feature is described first, followed by the MW10C feature in brackets: MW8CX (MW10C)

■ Digital Input/Output Specifications

| Connector | Format | Data Length | Connector Specification |
|-----------|---------------|-------------|-------------------------|
| USB | USB Audio 1.1 | 16 bit | USB B type |

■ Digital Effect Program List (Only MW8CX)

| No | Program | Parameter | Description |
|----|----------------|---------------|--|
| 1 | REVERB HALL 1 | REVERB TIME | Reverb simulating a large space such as a concert hall. |
| 2 | REVERB HALL 2 | REVERB TIME | |
| 3 | REVERB ROOM 1 | REVERB TIME | Reverb simulating the acoustics of a small space (room). |
| 4 | REVERB ROOM 2 | REVERB TIME | |
| 5 | REVERB STAGE 1 | REVERB TIME | Reverb simulating a large stage. |
| 6 | REVERB STAGE 2 | REVERB TIME | |
| 7 | REVERB PLATE | REVERB TIME | Simulation of a metal-plate reverb unit, producing a more hard-edged sound. |
| 8 | DRUM AMBIENCE | REVERB TIME | A short reverb that is ideal for use with kick drum. |
| 9 | KARAOKE ECHO | DELAY TIME | Echo designed for karaoke (sing-along) applications. |
| 10 | VOCAL ECHO | DELAY TIME | Echo suitable for vocals. |
| 11 | CHORUS 1 | LFO Frequency | Creates a thick sound by modulating the delay time. The PARAMETER control adjusts the frequency of the LFO* that modulates the delay time. |
| 12 | CHORUS 2 | LFO Frequency | |
| 13 | FLANGER | LFO Frequency | A sweeping pitched effect. The PARAMETER control adjusts the frequency of the LFO* that modulates the delay time. |
| 14 | PHASER | LFO Frequency | Phase modulation produces a cyclical phasing effect. The PARAMETER control adjusts the frequency of the LFO* that modulates the delay time. |
| 15 | AUTO WAH | LFO Frequency | A wah-wah effect with cyclical filter modulation. The PARAMETER control adjusts the frequency of the LFO* that modulates the delay time. |
| 16 | DISTORTION | DRIVE | Adds a sharp-edged distortion to the sound. |

* "LFO" stands for Low Frequency Oscillator. An LFO is normally used to modulate another signal, determining the modulation speed and waveform shape.

■ 総合仕様

■ 電気的特性

| | | | MIN | TYP | MAX | UNIT | |
|---|------------------------------|---|------|-----|------|------|-----|
| 周波数特性 | STEREO OUT | GAINコントロール：最小 (CH1-5/6) 20 Hz~20 kHz ノミナル出力レベル@ 1 kHz | -3.0 | | 1.0 | dB | |
| | EFFECT SEND (AUX SEND*) | | -3.0 | | 1.0 | | |
| | MONITOR OUT、REC OUT | | -3.0 | | 1.0 | | |
| 全高調波歪率 (THD+N) | STEREO OUT | +14 dBu、20 Hz~20 kHz、 GAINコントロール：最小 | | | 0.1 | % | |
| ハム & ノイズ @12.7 kHz、6 dB/octave のローパスフィルターで測定 (@20 kHz、-∞ dB/octave フィルターに相当) | 入力：CH INPUT 1、2 MIC | 入力換算ノイズ：Rs = 150 Ω、 GAIN：最大 (CH1、2) | | | | -128 | dBu |
| | STEREO OUT | STEREO マスターコントロール：ノミナルレベル、 全レベルコントロール：最小 | | | | -87 | |
| | EFFECT SEND (AUX SEND*) | 全チャンネルのEFFECT (AUX*) コントロール：最小 | | | | -85 | |
| | STEREO OUT | STEREOマスターコントロール&CH1、2の レベルコントロール：ノミナルレベル | | | | -64 | |
| | STEREO OUT | 残留ノイズ | | | | -100 | |
| クロストーク (1 kHz) | 入力チャンネル間 | CH1、2 | | | | -70 | dB |
| | 入出力間 | STEREO L/R、CH 1、2、PAN: 左か右に回し切る | | | | -70 | |
| 最大電圧ゲイン (1 kHz) 測定時、全レベルコントロールは最大 PAN/BAL: 左か右に回し切る | Rs = 150 Ω INPUT GAIN: 最大 | MIC → CH INSERT OUT | | | 60 | dB | |
| | | MIC → STEREO OUT | | | 76 | | |
| | | MIC → REC OUT | | | 58.2 | | |
| | | MIC → MONITOR OUT | | | 92 | | |
| | | MIC → PHONES OUT | | | 81 | | |
| | | MIC → EFFECT SEND (AUX SEND*) | | | 76 | | |
| | | LINE → STEREO OUT | | | 50 | | |
| | | LINE → EFFECT SEND (AUX SEND*) | | | 47 | | |
| | Rs = 150 Ω | ST CH 7/8、(CH 7/8、9/10*) → STEREO OUT | | | 26 | | |
| | Rs = 600 Ω | RETURN → STEREO OUT | | | 12 | | |
| ファンタム電源 | MIC | 負荷なし | | | 48 | V | |

■ 一般仕様

| | | |
|--|-----------------------|---|
| USBオーディオ | | 入出力とも 44.1 kHz/48 kHz |
| ハイパスフィルター | | CH 1~5/6、80 Hz、12 dB/oct |
| イコライザー 最大± 15 dB シェルビングタイプのターンオーバー/ ロールオフ周波数: 最大可変幅に対して3 dB 下がったポイント | CH 1~5/6 | HIGH: 10 kHz (シェルビング) MID: 2.5 kHz (ピーキング) LOW: 100 Hz (シェルビング) |
| | CH 7/8 (CH 7/8、9/10*) | HIGH: 10 kHz (シェルビング) LOW: 100 Hz (シェルビング) |
| | PEAK インジケータ | イコライザー後の信号 (CH3/4、5/6 はMIC アンプ後またはイコライザー後の信号) がクリッピングの手前 3 dB (+17 dBu) に達すると赤く点灯 |
| | 内蔵デジタルエフェクト (MW8CXのみ) | 16プログラム、PARAMETERコントロール フットスイッチ (オン/ オフ) |
| LEDレベルメーター | モニターレベル調整前 | 2x7ポイントLEDメーター (PEAK、+6、+3、0、-5、-10、-20 dB) 信号レベルがクリッピングレベル手前3 dB に達するとPEAKが点灯 |
| 電源アダプター | PA-10 | AC 38 VCT、0.62 A、ケーブル長さ: 3.6 m |
| 消費電力 | | 21 W |
| 最大外形寸法 (W × H × D) | | 256.6 mm × 62.2 mm × 302.5 mm |
| 質量 | | 1.7 kg (MW8CX)、1.6 kg (MW10C) |

特に指定のない場合、コントロールはノミナル位置。
シグナルジェネレーターの出力インピーダンス：150 Ω

* MW8CX (MW10C) で表示しています。

■ アナログ入力仕様

| 入力端子名称 | ゲイン | 入力インピーダンス | 適合インピーダンス | 感度** | ノミナルレベル | 最大ノンクリッピングレベル | 端子仕様 |
|--|--------|---------------|-------------------------|--------------------|--------------------|-------------------|--|
| CH INPUT MIC (CH 1, 2) | -60 dB | 3 k Ω | 50~600 Ω Mics | -72 dBu (0.195 mV) | -60 dBu (0.775 mV) | -40 dBu (7.75 mV) | XLR-3-31タイプ (バランス型 [1 = グラウンド、 2 = ホット、3 = コールド]) |
| | -16 dB | | | -28 dBu (30.8 mV) | -16 dBu (123 mV) | +4 dBu (1.23V) | |
| CH INPUT LINE (CH 1, 2) | -34 dB | 10 k Ω | 600 Ω Lines | -46 dBu (3.88 mV) | -34 dBu (15.5 mV) | -14 dBu (155 mV) | TRSフォーンジャック (バランス型 [T = ホット、R = コールド、S = グラウンド]) |
| | +10 dB | | | -2 dBu (0.615 V) | +10 dBu (2.45 V) | +30 dBu (24.5 V) | |
| ST CH MIC INPUT (CH 3/4, 5/6) | -60 dB | 3 k Ω | 50~600 Ω Mics | -72 dBu (0.195 mV) | -60 dBu (0.775 mV) | -40 dBu (7.75 mV) | XLR-3-31タイプ (バランス型 [1 = グラウンド、 2 = ホット、3 = コールド]) |
| | -16 dB | | | -28 dBu (30.8 mV) | -16 dBu (123 mV) | -6 dBu (389 mV) | |
| ST CH LINE INPUT (CH 3/4, 5/6) | -34 dB | 10 k Ω | 600 Ω Lines | -46 dBu (3.88 mV) | -34 dBu (15.5 mV) | -14 dBu (155 mV) | フォーンジャック (アンバランス型) |
| | +10 dB | | | -2 dBu (0.615 V) | +10 dBu (2.45 V) | +30 dBu (24.5V) | |
| ST CH INPUT (CH 7/8 (CH 7/8, 9/10)*) | — | 10 k Ω | 600 Ω Lines | -22 dBu (61.5 mV) | -10 dBu (245 mV) | +10 dBu (2.45 V) | フォーンジャック (アンバランス型) RCAピンジャック |
| CH INSERT IN (CH 1, 2) | — | 10 k Ω | 600 Ω Lines | -12 dBu (195 mV) | 0 dBu (0.775 V) | +20 dBu (7.75 V) | TRSフォーンジャック (アンバランス型 [T = アウト、R = イン、S = グ ラウンド]) |
| RETURN (L, R) | — | 10 k Ω | 600 Ω Lines | -8 dBu (308 mV) | +4 dBu (1.23 V) | +24 dBu (12.3 V) | フォーンジャック (アンバランス型) |
| 2TR IN(L, R) | — | 10 k Ω | 600 Ω Lines | -22 dBV (79.4 mV) | -10 dBV (0.316 V) | +10 dBV (3.16 V) | RCAピンジャック |

0 dBu = 0.775 Vrms、0 dBV = 1 Vrmsとする

** 入力感度: 最大レベル設定時で+4 dB (1.23 V)またはノミナルレベルを出力するときに得られる最小レベル(レベルコントロールはすべて最大)。

■ アナログ出力仕様

| 出力端子名称 | 出力インピーダンス | 適合インピーダンス | ノミナルレベル | 最大ノンクリッピングレベル | 端子仕様 |
|----------------------------|--------------|---------------------|-------------------|------------------|---|
| STEREO OUT (L, R) | 150 Ω | 10 k Ω Lines | +4 dBu (1.23 V) | +20 dBu (7.75 V) | TRSフォーンジャック (インピーダンスバランス型 [T = ホット、R = コールド、S = グラウンド]) |
| EFFECT SEND (AUX SEND*) | 150 Ω | 10 k Ω Lines | +4 dBu (1.23 V) | +20 dBu (7.75 V) | TRSフォーンジャック (インピーダンスバランス型 [T = ホット、R = コールド、S = グラウンド]) |
| CH INSERT OUT (CH 1, 2) | 75 Ω | 10 k Ω Lines | 0 dBu (0.775 V) | +20 dBu (7.75 V) | TRSフォーンジャック (アンバランス型 [T=アウト、R=イン、S=グラ ウンド]) |
| REC OUT (L, R) | 600 Ω | 10 k Ω Lines | -10 dBV (0.316 V) | +10 dBV (3.16 V) | RCAピンジャック |
| MONITOR OUT (L, R) | 150 Ω | 10 k Ω Lines | +4 dBu (1.23 V) | +20 dBu (7.75 V) | TRSフォーンジャック (インピーダンスバランス型 [T = ホット、R = コールド、S = グラウンド]) |
| PHONES OUT | 100 Ω | 40 Ω Phones | 3 mW | 75 mW | TRSフォーンジャック |

0 dBu = 0.775 Vrms、0 dBV = 1 Vrmsとする

* MW8CX (MW10C)で表示しています。

■ デジタル入出力仕様

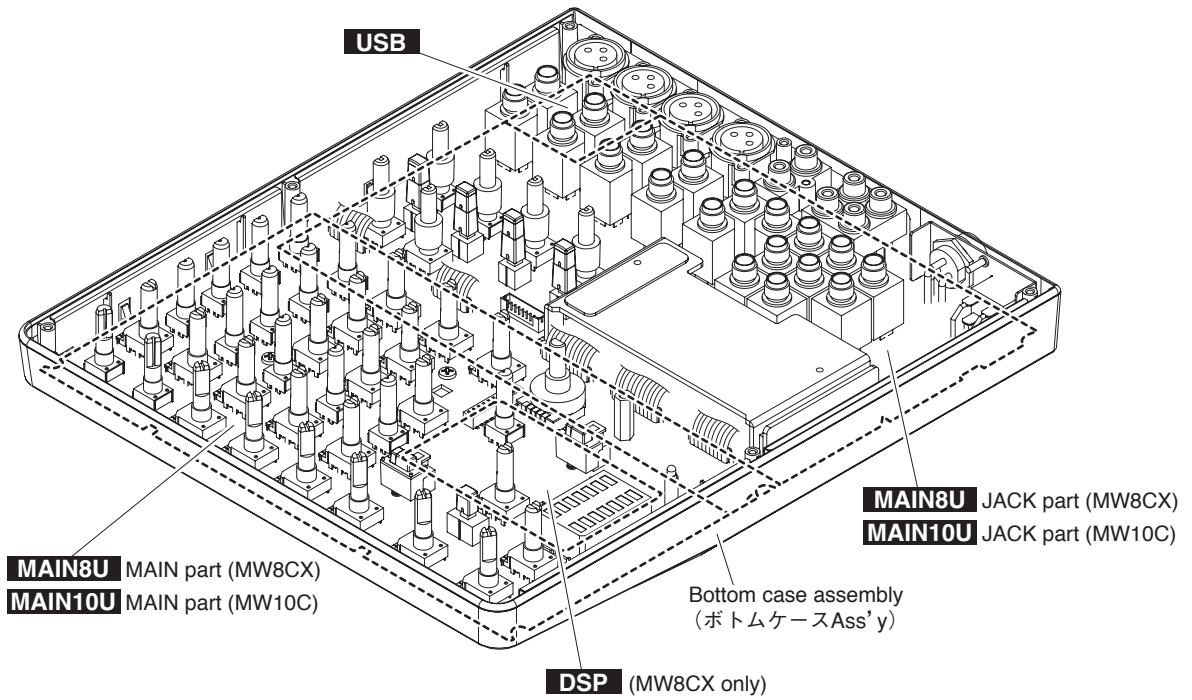
| 端子名称 | フォーマット | データ長 | 端子仕様 |
|------|---------------|--------|----------|
| USB | USB オーディオ 1.1 | 16 bit | USB Bタイプ |

■ デジタルエフェクト PROGRAM 一覧 (MW8CXのみ)

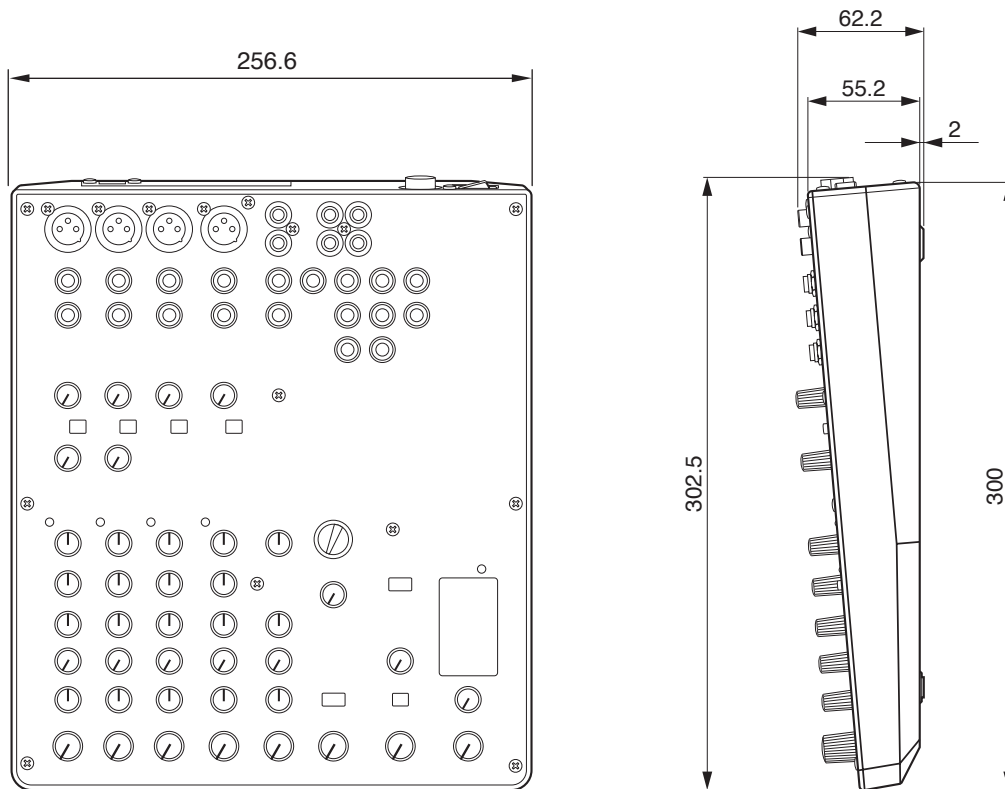
| No | Program | Parameter | エフェクトの内容 |
|----|----------------|-------------|--|
| 1 | REVERB HALL 1 | REVERB TIME | コンサートホールなどの広い空間をシミュレートしたリバーブ（残響効果）です。 |
| 2 | REVERB HALL 2 | REVERB TIME | |
| 3 | REVERB ROOM 1 | REVERB TIME | 小さな空間（部屋）での響きをシミュレートしたリバーブです。 |
| 4 | REVERB ROOM 2 | REVERB TIME | |
| 5 | REVERB STAGE 1 | REVERB TIME | 広いステージをシミュレートしたリバーブです。 |
| 6 | REVERB STAGE 2 | REVERB TIME | |
| 7 | REVERB PLATE | REVERB TIME | 鉄板エコーのシミュレーションです。硬めの残響感が得られます。 |
| 8 | DRUM AMBIENCE | REVERB TIME | ドラムキックに適した短めのリバーブです。 |
| 9 | KARAOKE ECHO | DELAY TIME | カラオケでの使用を想定したエコーです。 |
| 10 | VOCAL ECHO | DELAY TIME | ボーカル用を想定したエコーです。 |
| 11 | CHORUS 1 | LFO 周波数 | 異なる遅延時間の音を複数加えて、音に厚みを加えます。 PARAMETERコントロールでは、遅延時間を変調するLFO (*) の周波数を調整します。 |
| 12 | CHORUS 2 | LFO 周波数 | |
| 13 | FLANGER | LFO 周波数 | 音色が音程感をもったような強いうねりを加えます。 PARAMETERコントロールでは、遅延時間を変調するLFO (*) の周波数を調整します。 |
| 14 | PHASER | LFO 周波数 | 音の位相を変化させて、音にうねりを加えます。 PARAMETERコントロールでは、位相を変調するLFO (*) の周波数を調整します。 |
| 15 | AUTO WAH | LFO 周波数 | 周期的に変化するワウ効果を加えます。 PARAMETERコントロールでは、ワウフィルターを制御するLFO (*) の周波数を調整します。 |
| 16 | DISTORTION | DRIVE | 音を歪ませた、いわゆるディストーションの効果を加えます。 |

* LFO: Low Frequency Oscillator (低周波発振器) の略です。別の信号を周期的に変化（変調）させる場合に使います。

■ CIRCUIT BOARD LAYOUT (ユニットレイアウト)



■ DIMENSIONS (寸法図)



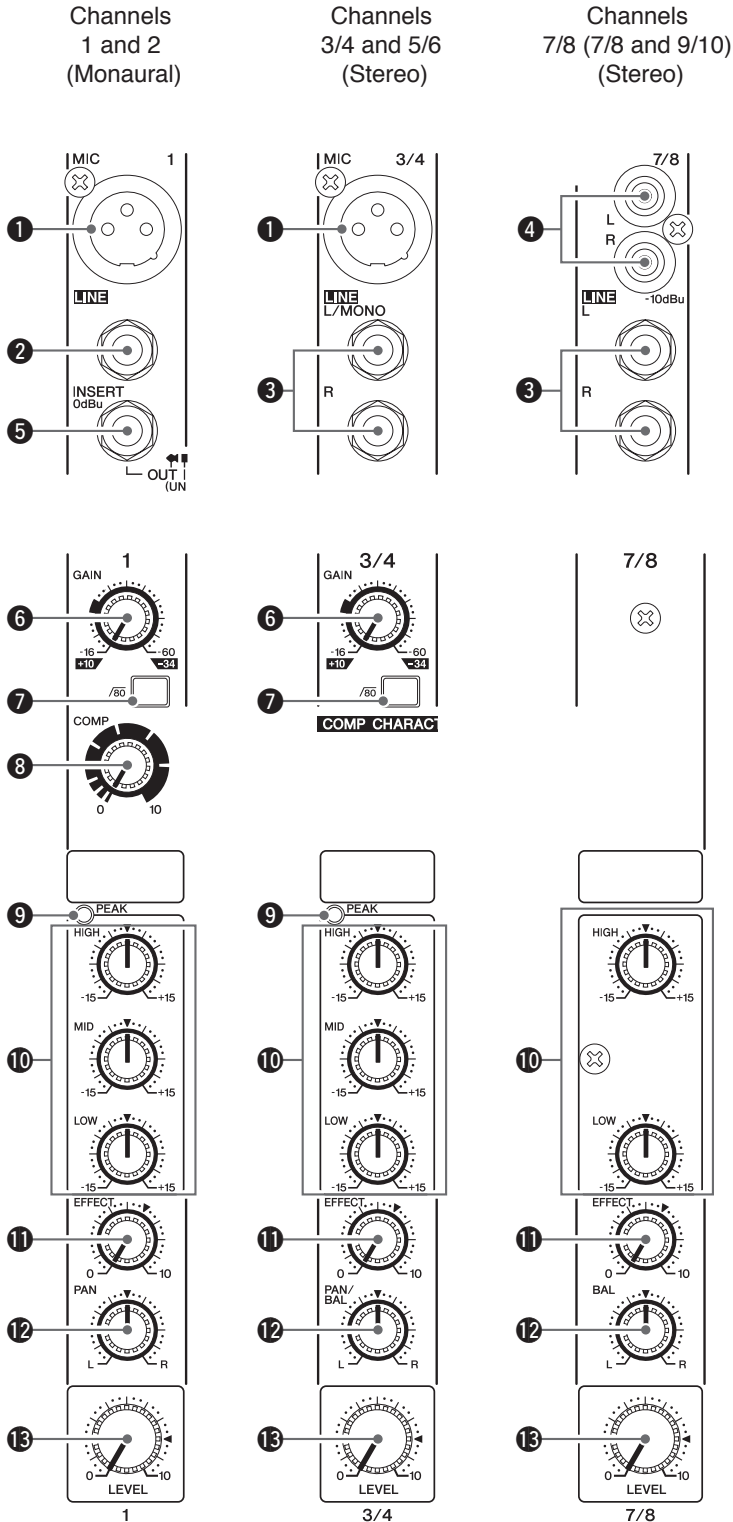
MW8CX

Unit (単位): mm

PANEL LAYOUT (パネルレイアウト)

The following applies to both the MW8CX and MW10C. In cases where different features need to be described for each model, the MW8CX feature will be described first, followed by the MW10C feature in brackets: MW8CX (MW10C).
 (以下は MW8CX と MW10C 共通の説明です。名称が異なる場合は、MW8CX (MW10C) で表記してあります。)

Channel Control Section (チャンネルコントロール部)

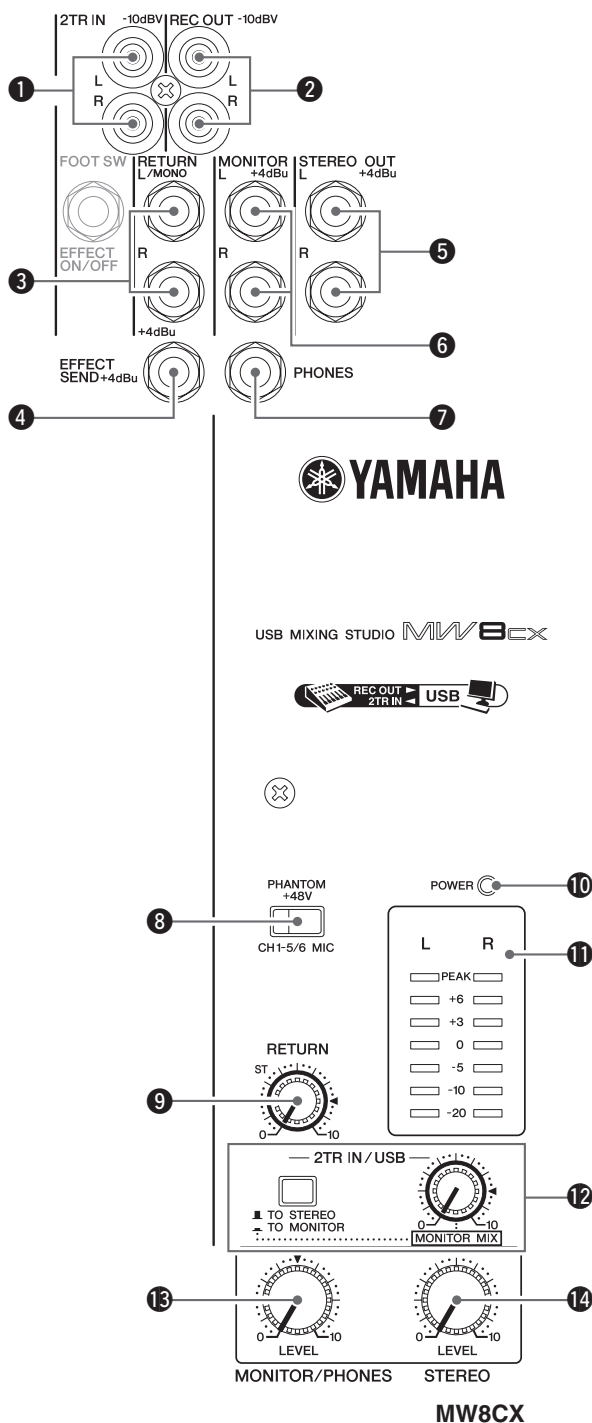


- ① MIC Input Jacks (CHs 1 to 5/6)
- ② LINE Input Jacks (CHs 1, 2)
- ③ LINE Input Jacks (CHs 3/4 to 7/8 (CHs 3/4 to 9/10))
- ④ LINE Input Jacks (CH 7/8, (CHs 7/8, 9/10))
- ⑤ INSERT Jacks (CHs 1, 2)
- ⑥ GAIN Control
- ⑦ $\sqrt{80}$ Switch (High Pass Filter)
- ⑧ COMP Control
- ⑨ PEAK Indicator
- ⑩ Equalizer (HIGH, MID, and LOW)
- ⑪ EFFECT (AUX) Control
- ⑫ PAN Control (CHs 1, 2)
PAN/BAL Control (CHs 3/4, 5/6)
BAL Control (CH 7/8 (CHs 7/8, 9/10))
- ⑬ Level Control

- ① MIC 入力端子 (CH1 ~ 5/6)
- ② LINE 入力端子 (CH1、2)
- ③ LINE 入力端子 (CH3/4 ~ 7/8、(CH3/4 ~ 9/10))
- ④ LINE 入力端子 (CH7/8 (CH7/8、9/10))
- ⑤ INSERT 端子 (CH1、2)
- ⑥ GAIN コントロール
- ⑦ $\sqrt{80}$ (ハイパスフィルター) スイッチ
- ⑧ COMP コントロール
- ⑨ PEAK インジケータ
- ⑩ EQ (イコライザー: HIGH、MID、LOW)
- ⑪ EFFECT (AUX) コントロール
- ⑫ PAN コントロール (CH1、2)
PAN/BAL コントロール (CH3/4、5/6)
BAL コントロール (CH7/8 (CH7/8、9/10))
- ⑬ LEVEL コントロール

MW8CX

■ Master Control Section (マスターコントロール部)

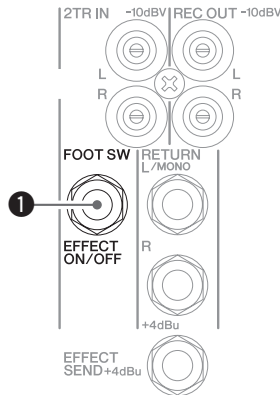


- ① 2TR IN Jacks
- ② REC OUT (L, R) Jacks
- ③ RETURN L (MONO), R Jacks
- ④ SEND EFFECT (AUX) Jack
- ⑤ STEREO OUT (L, R) Jacks
- ⑥ MONITOR (L, R) Jacks
- ⑦ PHONES Jack
- ⑧ PHANTOM +48 V Switch
- ⑨ RETURN Control
- ⑩ POWER Indicator
- ⑪ Level Meter
- ⑫ 2TR IN/USB
 - 2TR IN/USB Switch
 - 2TR IN/USB control
- ⑬ MONITOR/PHONES Control
- ⑭ STEREO Master Control

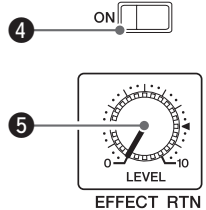
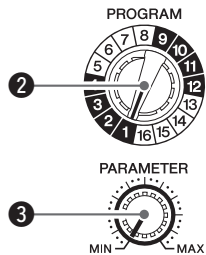
- ① 2TR IN 端子
- ② REC OUT (L、R) 端子
- ③ RETURN L (MONO)、R 端子
- ④ EFFECT (AUX) SEND 端子
- ⑤ STEREO OUT (L、R) 端子
- ⑥ MONITOR (L、R) 端子
- ⑦ PHONES 端子
- ⑧ PHANTOM +48 V スイッチ
- ⑨ RETURN コントロール
- ⑩ POWER インジケーター
- ⑪ レベルメーター
- ⑫ 2TR IN/USB
 - 出力先切り替えスイッチ
 - 2TR IN/USB コントロール
- ⑬ MONITOR/PHONES コントロール
- ⑭ STEREO マスターコントロール

■ Digital Effect (デジタルエフェクト部)

* Only the MW8CX has digital effects.
(この機能は MW8CX のみに内蔵されています。)

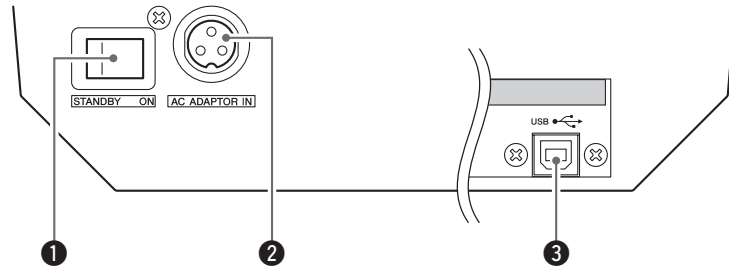


- | DIGITAL EFFECT | |
|----------------|----------------|
| 1 | REVERB HALL 1 |
| 2 | REVERB HALL 2 |
| 3 | REVERB ROOM 1 |
| 4 | REVERB ROOM 2 |
| 5 | REVERB STAGE 1 |
| 6 | REVERB STAGE 2 |
| 7 | REVERB PLATE |
| 8 | DRUM AMBIENCE |
| 9 | KARAOKE ECHO |
| 10 | VOCAL ECHO |
| 11 | CHORUS 1 |
| 12 | CHORUS 2 |
| 13 | FLANGER |
| 14 | PHASER |
| 15 | AUTO WAH |
| 16 | DISTORTION |



MW8CX

■ Rear Input/Output Section (リアパネル部)



■ Digital Effect

- ① FOOT SWITCH Jack
- ② PROGRAM Dial
- ③ PARAMETER Control
- ④ ON Switch
- ⑤ EFFECT RTN Control

■ Rear Input/Output Section

- ① POWER Switch
- ② AC ADAPTOR IN Connector
- ③ USB Connector

■ デジタルエフェクト部

- ① FOOT SWITCH 端子
- ② PROGRAM 選択ダイヤル
- ③ PARAMETER コントロール
- ④ ON スイッチ
- ⑤ EFFECT RTN コントロール

■ リアパネル部

- ① 電源スイッチ
- ② AC ADAPTOR IN 端子
- ③ USB 端子

Jack List

| Input and Output Jacks | Polarities | Configurations |
|--|--|--|
| MIC INPUT | Pin 1: Ground Pin 2: Hot (+) Pin 3: Cold (-) | <div style="display: flex; justify-content: space-around;"> <div style="text-align: center;"> INPUT </div> <div style="text-align: center;"> OUTPUT </div> </div> <p style="text-align: right;">XLR Connector</p> |
| LINE INPUT (stereo channels) STEREO OUT, MONITOR, EFFECT (AUX)* | Tip: Hot (+) Ring: Cold (-) Sleeve: Ground | <p style="text-align: right;">TRS Phone Connector</p> |
| INSERT | Tip: Output Ring: Input Sleeve: Ground | |
| PHONES | Tip: L Ring: R Sleeve: Ground | |
| RETURN LINE INPUT (monaural channels) | Tip: Hot Sleeve: Ground | <p style="text-align: right;">Phone Connector</p> |

* These jacks will also accept connection to monaural phone connectors. If you use monaural plugs, the connection will be unbalanced.

端子一覧

| 入出力端子名 | 端子の極性 | 端子の形状 |
|---|--|---|
| MIC INPUT | ピン1: グラウンド ピン2: ホット(+) ピン3: コールド(-) | <div style="display: flex; justify-content: space-around;"> <div style="text-align: center;"> INPUT </div> <div style="text-align: center;"> OUTPUT </div> </div> <p style="text-align: right;">XLR 端子</p> |
| LINE INPUT(モノラルチャンネル) STEREO OUT、MONITOR、EFFECT (AUX)* | チップ: ホット(+) リング: コールド(-) スリーブ: グラウンド | <p style="text-align: right;">TRS フォーン端子</p> |
| INSERT | チップ: Output リング: Input スリーブ: グラウンド | |
| PHONES | チップ: L リング: R スリーブ: グラウンド | |
| RETURN LINE INPUT (ステレオチャンネル) | チップ: ホット スリーブ: グラウンド | <p style="text-align: right;">フォーン端子</p> |

* これらの端子にフォーン端子を使用することもできます。その場合は、アンバランスになります。

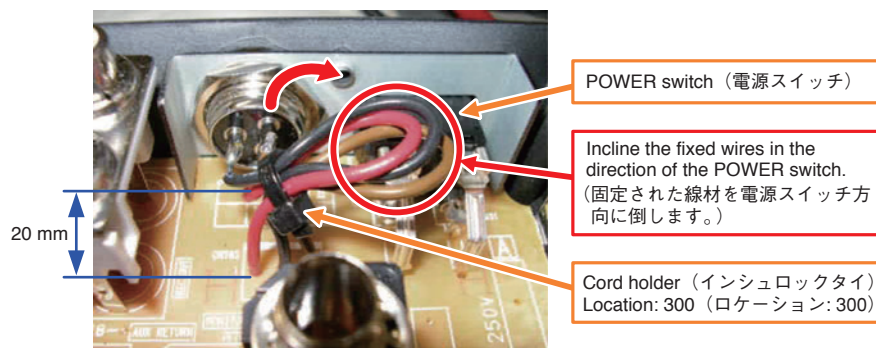
■ GENERAL SCHEMATIC DIAGRAM (総組立配線図)

1. Processing Method of AC Connector Assembly (WH54770)

- (a). Bundle three wires and fix them with the cord holder (location: 300) at a position 20 mm away from the component side of the circuit board.
- (b). Incline the bundled wires in the direction of the POWER switch.
Handle the wires carefully so that too much stress is not applied to the connector terminals when inclining the wires.

1. AC 束線 (WH54770) の処理

- (a). 線材を3本束ねて、基板の部品面側から20 mmのところインシュロックタイ (ロケーション: 300) にて固定します。
- (b). 固定された線材を POWER SW 方向に倒します。線材を倒すとき、コネクタの端子にストレスが掛からないように注意してください。

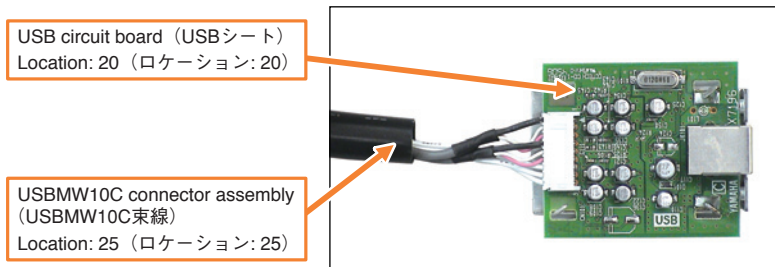


2. Processing Method of USBM10C Connector Assembly (WK17880)

- 2-1 Connect the USBM10C connector assembly to the USB circuit board in advance.

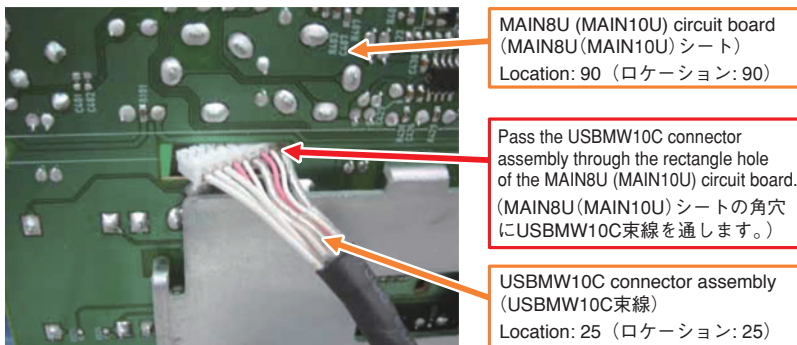
2. USBM10C 束線 (WK17880) の処理

- 2-1 事前に USBM10C 束線を USB シートに接続します。



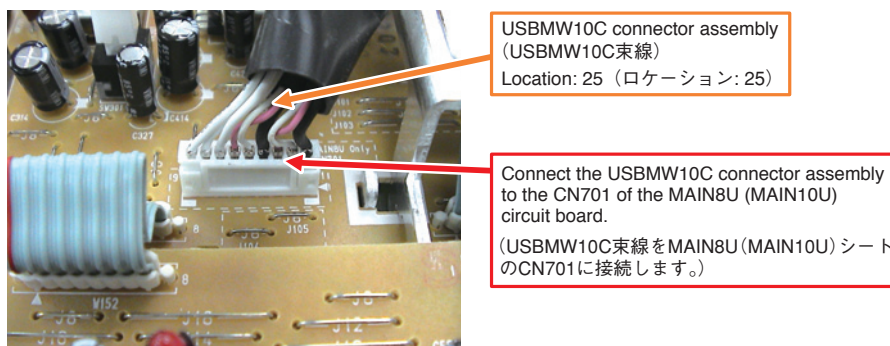
2-2 Pass the USBMW10C connector assembly through the rectangle hole of the MAIN8U (MAIN10U) circuit board.

2-2 MAIN8U (MAIN10U) シートの角穴に USBMW10C 束線を通します。



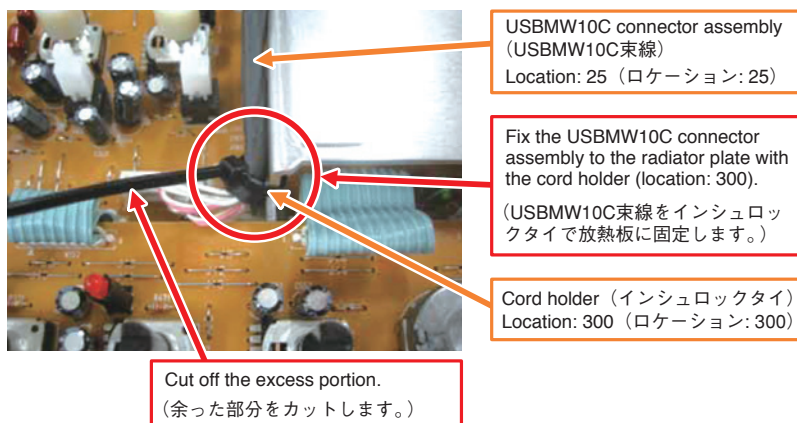
2-3 Connect the USBMW10C connector assembly to the CN701 of the MAIN8U (MAIN10U) circuit board.

2-3 USBMW10C 束線を MAIN8U (MAIN10U) シートの CN701 に接続します。



2-4 Fix the USBMW10C connector assembly to the radiator plate with the cord holder (location: 300).

2-4 USBMW10C 束線をインシュロックタイ (ロケーション: 300) にて放熱板に固定します。



2-5 After fixing, place the slack portion of the USBM-W10C connector assembly under the circuit board.

2-5 固定後、余った USBM10C 束線は基板下へ入れま
す。



USBM10C connector assembly
(USBM10C束線)
Location: 25 (ロケーション: 25)

3. Processing Method of Jumper Wires

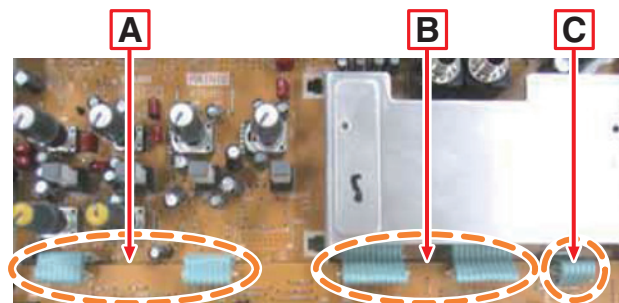
A

- (a). Bend the jumper wires in the direction of the MAIN part of the MAIN8U (MAIN10U) circuit board.
- (b). Bend back the jumper wires in the direction of the JACK part of the MAIN8U (MAIN10U) circuit board.
- (c). After bending as mentioned above, press down the jumper wires until the distance between their top end and the MAIN part of the MAIN8U (MAIN10U) circuit board surface is 15 mm or less.

3. ジャンパーリードの処理

A

- (a). ジャンパーリードを MAIN 基板方向に折り曲げます。
- (b). ジャンパーリードを再度 JACK 基板方向に折り返します。
- (c). 折り曲げ後、ジャンパーリードが、MAIN 基板面から 15mm 以下になるように上から押します。



B

- (a). Bend the jumper wires to make an M-like figure.
- (b). After bending as mentioned above, deal with the jumper wires until the distance between their top end and the MAIN part of the MAIN8U (MAIN10U) circuit board surface is 15 mm or less.

C

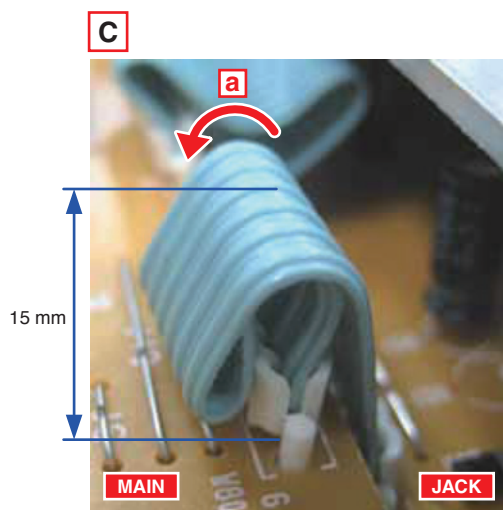
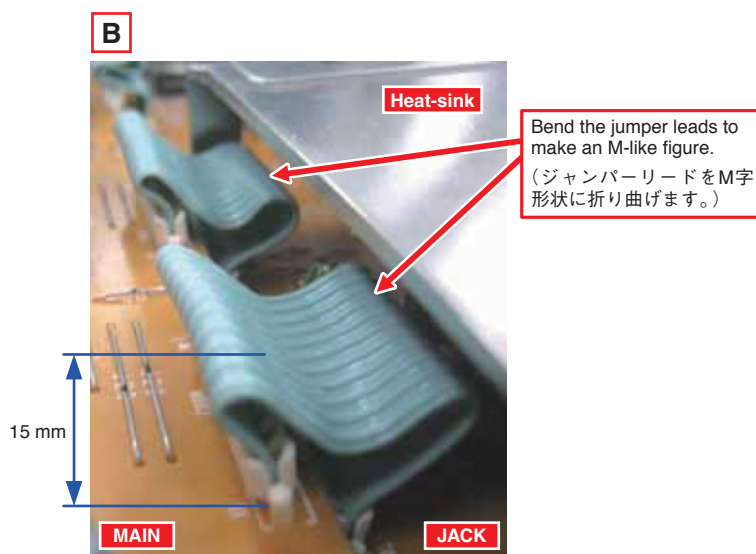
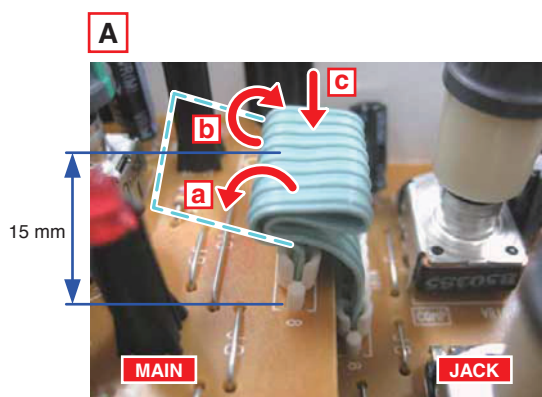
- (a). Bend the jumper wires in the direction of the MAIN part of the MAIN8U (MAIN10U) circuit board.

B

- (a). ジャンパーリードを M 字形状に折り曲げます。
- (b). 折り曲げ後、MAIN 基板面から 15mm 以下になるようにジャンパーリードを処理します。

C

- (a). ジャンパーリードを MAIN 基板方向に折り曲げます。



DISASSEMBLY PROCEDURE (分解手順)

• MW8CX

1. Top Cover (Time required: About 7 minutes)

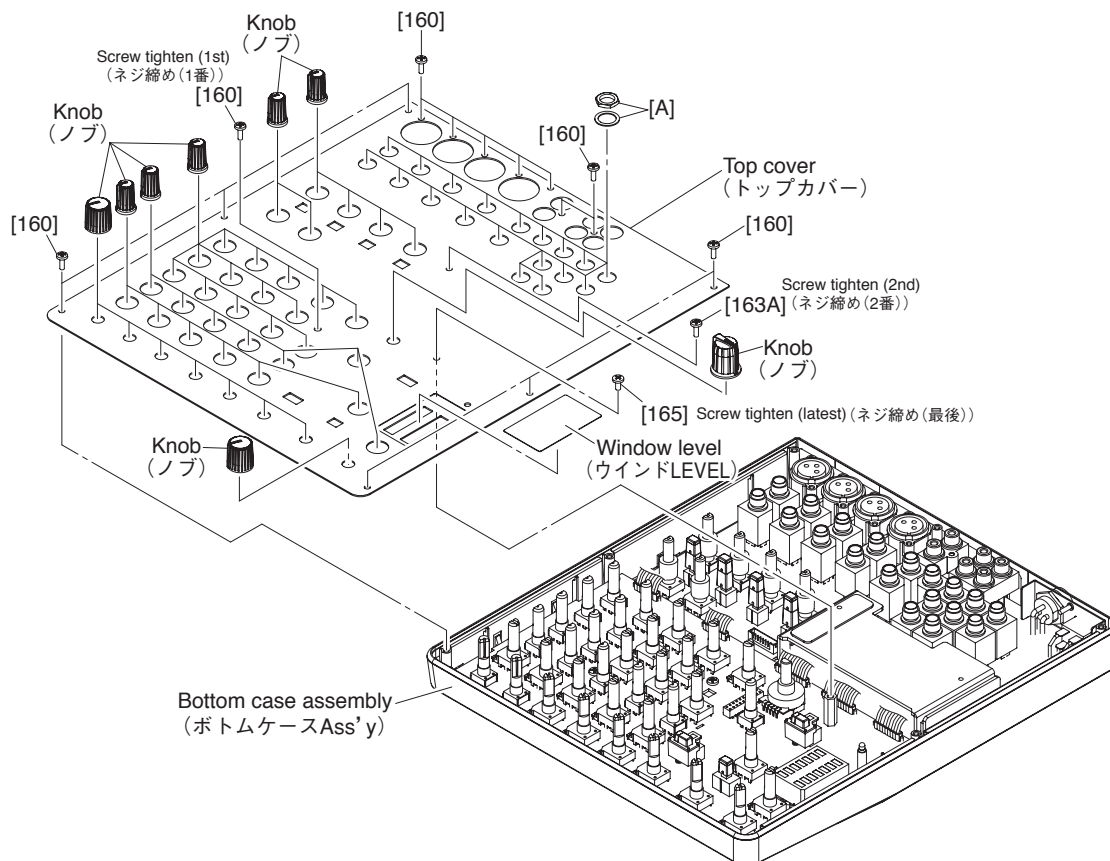
- 1-1 Remove all knobs. (Fig. 1)
 1-2 Remove the fourteen (14) screws marked [160], the screw marked [163A], the screw marked [165], and nineteen (19) each hexagonal nuts and washers marked [A]. The top cover can then be removed. (Fig. 1)

* **The window level is not a component of the top cover. When replacing the top cover, remove the window level and install it to the new top cover. (Fig. 1)**

* **When installing the top cover on the bottom case assembly, tighten the screws in the order shown in Fig. 1. (Fig. 1)**

1. トップカバー (所要時間: 約7分)

- 1-1 本体からすべてのノブを外します。(図1)
 1-2 [160]のネジ14本と[163A]のネジ1本、[165]のネジ1本、[A]の六角ナットとワッシャー19個ずつを外して、トップカバーを外します。(図1)
 ※ ウインドLEVELはトップカバーの構成部品ではありません。トップカバーを交換する場合は、ウインドLEVELを取り外して新しいトップカバーに取り付けてください。(図1)
 ※ トップカバーをボトムケース Ass'y へ取り付けるときは、図1で示した順序でネジ締めしてください。(図1)



- [160]: Bind Head Tapping Screw-B (B タイト+ BIND) 3.0X8 MFZN2B3 (WE774400)
 [163]: Bind Head Tapping Screw-B (B タイト+ BIND) 3.0X8 MFZN2B3 (WE774400)
 [165]: Bind Head Screw (小ネジ+ BIND) 3.0X6 MFZN2B3 (WE878300)

Fig. 1 (図1)

2. DSP Circuit Board, MAIN8U Circuit Board (Time required: About 8 minutes each)

2-1 Remove the top cover. (See procedure 1)

2-2 Remove the two (2) screws marked [100] and the screw marked [163B]. The MAIN8U circuit board can then be removed. (Fig. 2)

2-3 DSP Circuit Board

2-3-1 Reverse the MAIN8U circuit board and remove the two (2) screws marked [80]. The DSP circuit board can then be pulled out. (Fig. 2)

2-4 MAIN8U Circuit Board

2-4-1 Remove the spacer on the upper side of the MAIN8U circuit board. The shield DSP can then be removed from the MAIN8U circuit board.

2. DSP シート、MAIN8U シート (所要時間：各約 8 分)

2-1 トップカバーを外します。(1項参照)

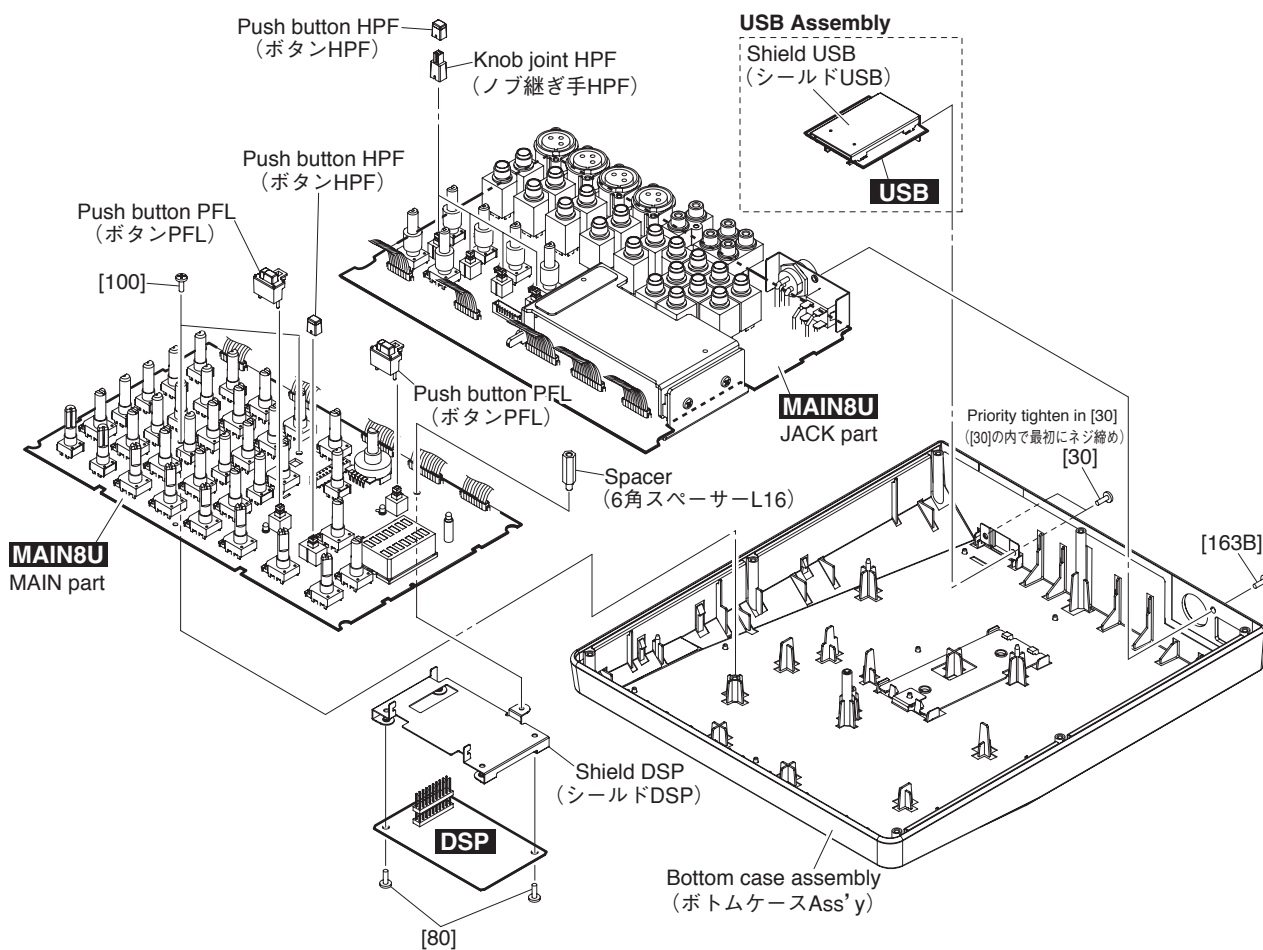
2-2 [100] のネジ 2 本と [163B] のネジ 1 本を外して、MAIN8U シートを外します。(図 2)

2-3 DSP シート

2-3-1 MAIN8U シートを裏返し、[80] のネジ 2 本を外して DSP シートを引き抜きます。(図 2)

2-4 MAIN8U シート

2-4-1 MAIN8U シート表側の六角スペーサー 1 個を外して、MAIN8U シートからシールド DSP を外します。



- [30]: Bind Head Tapping Screw-B (B タイト+ BIND) 3.0X8 MFZN2B3 (WE774400)
 [80]: Bind Head Tapping Screw-B (B タイト+ BIND) 3.0X8 MFZN2W3 (WE774300)
 [100]: Bind Head Tapping Screw-B (B タイト+ BIND) 3.0X8 MFZN2W3 (WE774300)
 [163]: Bind Head Tapping Screw-B (B タイト+ BIND) 3.0X8 MFZN2B3 (WE774400)

Fig. 2 (図 2)

- 2-4-2 Remove the volume knobs, the knob joints and push buttons from the MAIN8U circuit board.
- * **The volume knobs, the knob joints and the push buttons are not components of the MAIN8U circuit board. When replacing the MAIN8U circuit board, remove the volume knobs, the knob joints and the push buttons and install them on the new MAIN8U circuit board.**
- * **When installing the MAIN8U circuit board, fit the seven (7) claws on the bottom case assembly to the MAIN8U circuit board. (Photo 1)**

3. USB Circuit board

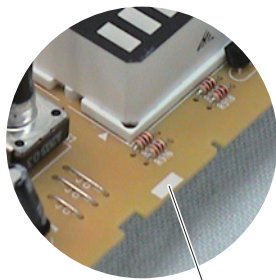
(Time required: About 8 minutes)

- 3-1 Remove the top cover. (See procedure 1)
- 3-2 Remove the MAIN8U circuit board. (See procedure 2-2)
- 3-3 Remove the two (2) screws marked [30]. The USB assembly can then be removed. (Fig. 2)
- 3-4 Turn the hooks at four (4) positions until they are in the same direction as the holes of the circuit board. (As hooks at the two (2) positions are soldered, unsolder them before turning the hooks.) (Photo 2)
- 3-5 The USB circuit board and Shield USB can then be removed. (Photo 2)
- * **Shield USB is not component of the USB circuit board. When replacing the USB circuit board, remove the Shield USB and install it on the new USB circuit board. (Photo 2)**

- 2-4-2 MAIN8U シートからノブ、ノブ継ぎ手、ボタンを外します。
- ※ ノブ、ノブ継ぎ手とボタンは MAIN8U シートの構成部品ではありません。MAIN8U シートを交換する場合は、ノブ、ノブ継ぎ手とボタンを取り外して新しい MAIN8U シートに取り付けてください。
- ※ MAIN8U シートを取り付けるときは、ボトムケース Ass'y にある 7 個所のツメに MAIN8U シートが引っ掛かるように取り付けてください。(写真 1)

3. USB シート (所要時間: 約 8 分)

- 3-1 トップカバーを外します。(1 項参照)
- 3-2 MAIN8U シートを外します。(2-2 項参照)
- 3-3 [30] のネジ 2 本を外して、USB Ass'y を外します。(図 2)
- 3-4 4 箇所 of フックを、基板の穴と同じ向きになるようにひねります。(2 箇所のフックは半田付けされているので、半田を外してからひねります。)(写真 2)
- 3-5 USB シートとシールド USB が分離できます。(写真 2)
- ※ シールド USB は USB シートの構成部品ではありません。USB シートを交換する場合は、シールド USB を取り外して新しい USB シートに取り付けてください。(写真 2)



Engagement points on the MAIN8U circuit board
(MAIN8U シートの引っ掛け位置)

Photo 1 (写真 1)

• USB Assembly

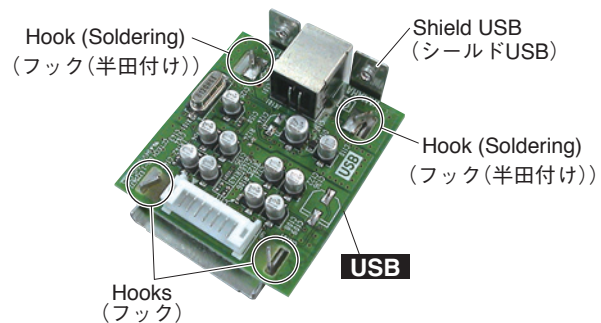


Photo 2 (写真 2)

DISASSEMBLY PROCEDURE (分解手順)

• MW10C

1. Top Cover (Time required: About 7 minutes)

- 1-1 Remove all knobs. (Fig. 1)
 1-2 Remove the fourteen (14) screws marked [160], the screw marked [163A], and twenty (20) each hexagonal nuts and washers marked [A]. The top cover can then be removed. (Fig. 1)

* **The window level is not a component of the top cover. When replacing the top cover, remove the window level and install it to the new top cover. (Fig. 1)**

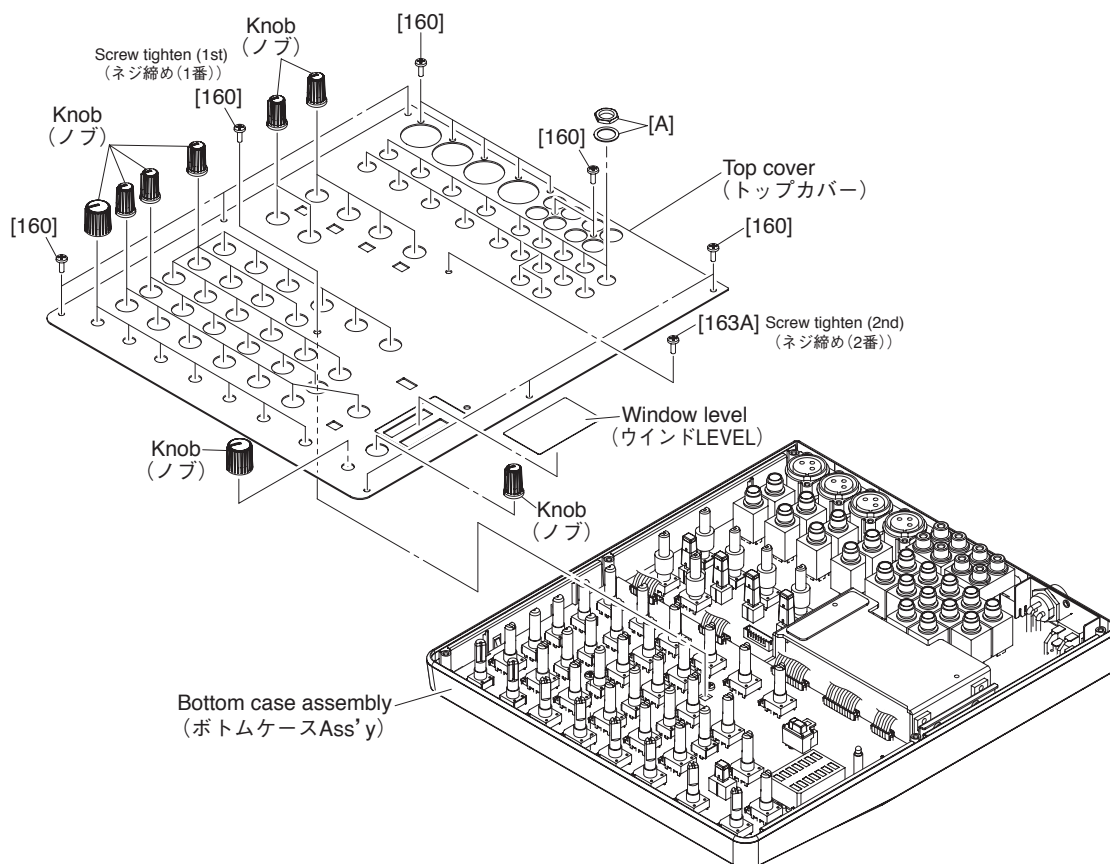
* **When installing the top cover on the bottom case assembly, tighten the screws in the order shown in Fig. 1. (Fig. 1)**

1. トップカバー (所要時間: 約7分)

- 1-1 本体からすべてのノブを外します。(図1)
 1-2 [160]のネジ14本と[163A]のネジ1本、[A]の六角ナットとワッシャー20個ずつを外して、トップカバーを外します。(図1)

※ ウインド LEVEL はトップカバーの構成部品ではありません。トップカバーを交換する場合は、ウインド LEVEL を取り外して新しいトップカバーに取り付けてください。(図1)

※ トップカバーをボトムケース Ass'y へ取り付けるときは、図1で示した順序でネジ締めしてください。(図1)



[160]: Bind Head Tapping Screw-B (B タイト+ BIND) 3.0X8 MFZN2B3 (WE774400)

[163]: Bind Head Tapping Screw-B (B タイト+ BIND) 3.0X8 MFZN2B3 (WE774400)

Fig. 1 (図 1)

2. MAIN10U Circuit Board

(Time required: About 8 minutes)

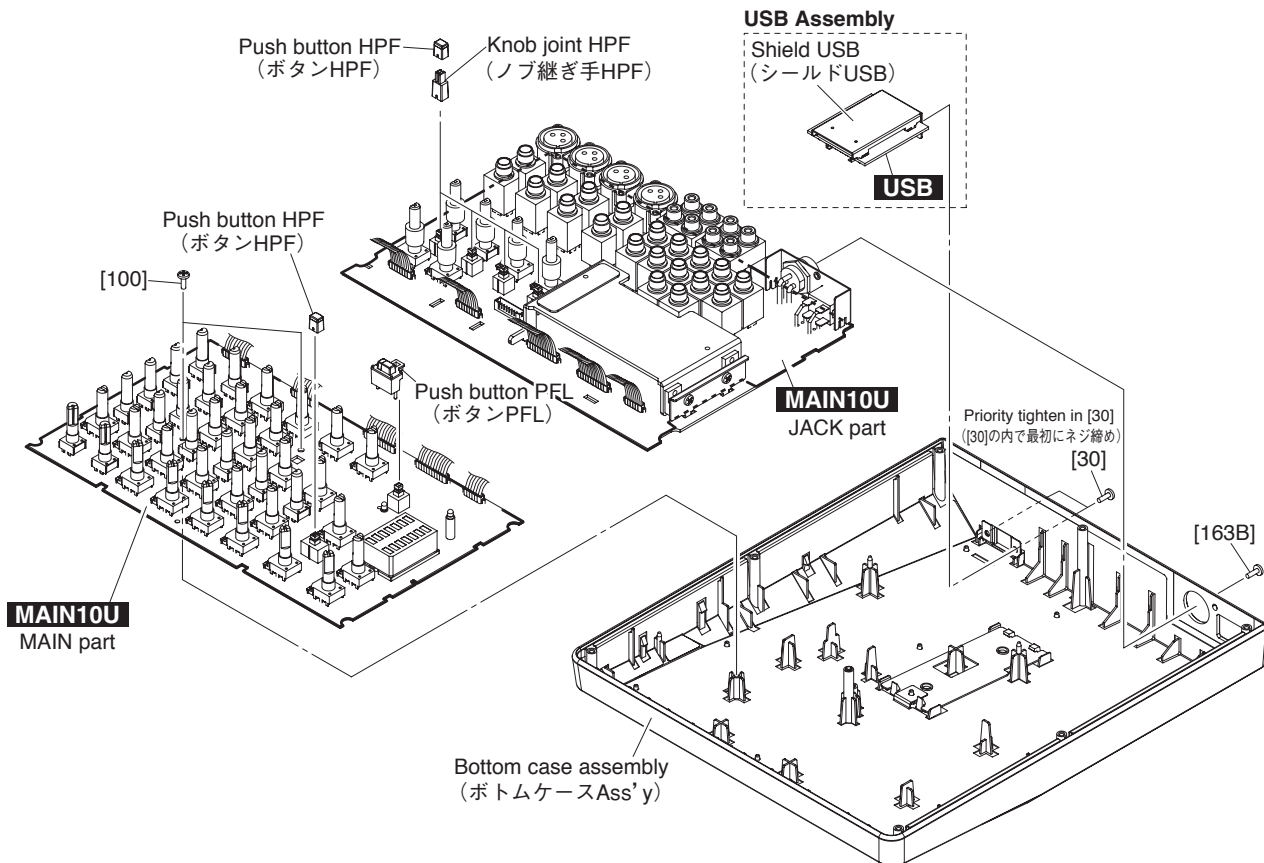
- 2-1 Remove the top cover. (See procedure 1)
- 2-2 Remove the two (2) screws marked [100] and the screw marked [163B]. The MAIN10U circuit board can then be removed. (Fig. 2)
- 2-3 Remove the volume knobs, the knob joints and push buttons from the MAIN10U circuit board. (Fig. 2)

* **The volume knobs, the knob joints and push buttons are not components of the MAIN10U circuit board. When replacing the MAIN10U circuit board, remove the volume knobs, the knob joints and push buttons and install them on the new MAIN10U circuit board. (Fig. 2)**

* **When installing the MAIN10U circuit board, fit the seven (7) claws on the bottom case assembly to the MAIN10U circuit board. (Photo 1)**

2. MAIN10U シート (所要時間：約 8 分)

- 2-1 トップカバーを外します。(1項参照)
- 2-2 [100] のネジ 2 本と [163B] のネジ 1 本を外して、MAIN10U シートを外します。(図 2)
- 2-3 MAIN10U シートからノブ、ノブ継ぎ手、ボタンを外します。(図 2)
 - ※ ノブ、ノブ継ぎ手とボタンは MAIN10U シートの構成部品ではありません。MAIN10U シートを交換する場合は、ノブ、ノブ継ぎ手とボタンを取り外して新しい MAIN10U シートに取り付けてください。(図 2)
 - ※ MAIN10U シートを取り付けるときは、ボトムケース Ass'y にある 7 個所のツメに MAIN10U シートが引っ掛かるように取り付けてください。(写真 1)



- [30]: Bind Head Tapping Screw-B (B タイト+ BIND) 3.0X8 MFZN2B3 (WE774400)
- [100]: Bind Head Tapping Screw-B (B タイト+ BIND) 3.0X8 MFZN2W3 (WE774300)
- [163]: Bind Head Tapping Screw-B (B タイト+ BIND) 3.0X8 MFZN2B3 (WE774400)

Fig. 2 (図 2)

3. USB Circuit board

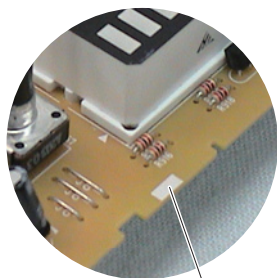
(Time required: About 8 minutes)

- 3-1 Remove the top cover. (See procedure 1)
- 3-2 Remove the MAIN10U circuit board.
(See procedure 2-2)
- 3-3 Remove the two (2) screws marked [30]. The USB assembly can then be removed. (Fig. 2)
- 3-4 Turn the hooks at four (4) positions until they are in the same direction as the holes of the circuit board. (As hooks at the two (2) positions are soldered, unsolder them before turning the hooks.) (Photo 2)
- 3-5 The USB circuit board and Shield USB can then be removed. (Photo 2)

* **Shield USB is not component of the USB circuit board. When replacing the USB circuit board, remove the Shield USB and install it on the new USB circuit board. (Photo 2)**

3. USB シート (所要時間: 約 8 分)

- 3-1 トップカバーを外します。(1 項参照)
 - 3-2 MAIN10U シートを外します。(2-2 項参照)
 - 3-3 [30] のネジ 2 本を外して、USB Ass'y を外します。
(図 2)
 - 3-4 4 箇所のフックを、基板の穴と同じ向きになるようにひねります。(2 箇所のフックは半田付けされているので、半田を外してからひねります。)
(写真 2)
 - 3-5 USB シートとシールド USB が分離できます。
(写真 2)
- ※ シールド USB は USB シートの構成部品ではありません。USB シートを交換する場合は、シールド USB を取り外して新しい USB シートに取り付けてください。(写真 2)



Engagement points on the MAIN10U circuit board
(MAIN10U シートの引っ掛け位置)

Photo 1 (写真 1)

• USB Assembly

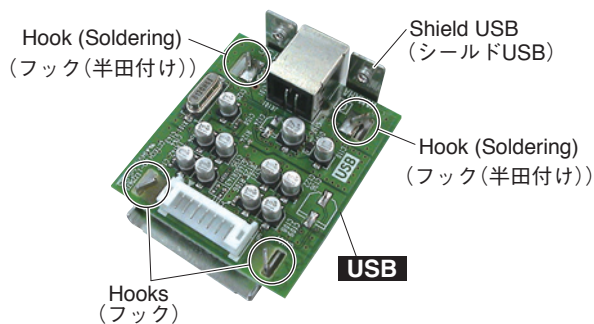


Photo 2 (写真 2)

LSI PIN DESCRIPTION (LSI 端子機能表)

● YMW767-VTZ (X6055A00) CPU (SWL01B)

DSP: ICM07

| PIN NO. | NAME | I/O | FUNCTION | PIN NO. | NAME | I/O | FUNCTION | |
|---------|--------------------|-----|---|---------------------------|-------------------|-----------------|--|-----------------------------|
| 1 | Vss | - | Ground | 65 | Vss | - | Ground | |
| 2 | TESTN | I | Input for TEST | 66 | IOV _{DD} | - | Power supply +3.3 V | |
| 3 | PLLBPN | I | PLL bypass select | 67 | LBN/LWRN/PF6 | O | External memory lower-byte enable / Port F | |
| 4 | PLL _{VDD} | I | PLL Power supply +2.5 V | 68 | UBN/UWRN/PF7 | O | External memory upper-byte enable / Port F | |
| 5 | CIN | - | Capacitor terminal for PLL | 69 | RDN/PF4 | O | External memory read enable / Port F | |
| 6 | PLL _{VSS} | - | PLL Ground | 70 | MD00 | I/O | External memory data bus | |
| 7 | TRSTN | I | JTAG input | 71 | MD08 | I/O | | |
| 8 | TMS | I | | 72 | MD01 | I/O | | |
| 9 | TCK | I | | 73 | MD09 | I/O | | |
| 10 | TDI | I | | 74 | MD02 | I/O | | |
| 11 | TDO | O | | 75 | MD10 | I/O | | |
| 12 | XI | I | JTAG output | 76 | MD03 | I/O | Ground | |
| 13 | XO | O | Crystal oscillator | 77 | Vss | - | | |
| 14 | Vss | - | Crystal oscillator | 78 | MD11 | I/O | External memory data bus | |
| 15 | V _{DD} | - | Ground | 79 | MD04 | I/O | | |
| 16 | ICN | I | Power supply +2.5 V | 80 | MD12 | I/O | | |
| 17 | ECSN | I | Hardware reset | 81 | MD05 | I/O | | |
| 18 | EWARN/PD5 | I | CPU I/F chip select | 82 | MD13 | I/O | | |
| 19 | ERDN/PD4 | I | CPU I/F write enable / Port D | 83 | MD06 | I/O | External memory data bus | |
| 20 | EA3/PD3 | I | CPU I/F read enable / Port D | 84 | MD14 | I/O | | |
| 21 | EA2/PD2 | I | CPU I/F address bus / Port D | 85 | MD07 | I/O | | |
| 22 | EA1/PD1 | I | | 86 | MD15 | I/O | | |
| 23 | EA0/PD0 | I | | 87 | WRN/PF5 | O | | |
| 24 | IOV _{DD} | - | | Power supply +3.3 V | 88 | Vss | - | Ground |
| 25 | ED0/PC0 | I/O | | CPU I/F data bus / Port C | 89 | V _{DD} | - | |
| 26 | ED1/PC1 | I/O | 90 | | IOV _{DD} | - | Power supply +3.3 V | |
| 27 | ED2/PC2 | I/O | 91 | | MA17 | O | External memory address bus | |
| 28 | ED3/PC3 | I/O | 92 | | MA16 | O | | |
| 29 | ED4/PC4 | I/O | 93 | | MA15 | O | | |
| 30 | ED5/PC5 | I/O | 94 | | MA14 | O | | |
| 31 | ED6/PC6 | I/O | 95 | | MA13 | O | | |
| 32 | ED7/PC7 | I/O | 96 | MA12 | O | | | |
| 33 | Vss | - | Ground | 97 | MA11 | O | | External memory address bus |
| 34 | IRQ0N/PH0 | I | Interrupt input / Port H | 98 | MA10 | O | | |
| 35 | TxD0 | O | Serial output | 99 | MA09 | O | | |
| 36 | RxD0 | I | Serial input | 100 | MA08 | O | | |
| 37 | TxD1/PG2 | O | Serial output / Port G | 101 | MA07 | O | Ground | |
| 38 | RxD1/PH1 | I | Serial input / Port H | 102 | MA06 | O | | |
| 39 | SCLK1/PH2 | I | External synchronization clock / Port H | 103 | MA05 | O | | |
| 40 | SDO | O | Serial output | 104 | Vss | - | | |
| 41 | SDI/PH3 | I | Serial input / Port H | 105 | MA04 | O | | External memory address bus |
| 42 | BCLK | O | Bit clock output | 106 | MA03 | O | | |
| 43 | WCLK/SY0 | O | Word clock output | 107 | MA02 | O | | |
| 44 | SYCLK/PG3 | O | Clock output / Port G | 108 | MA01 | O | | |
| 45 | Vss | - | Ground | 109 | CS0N/PG0 | O | External memory chip select / Port G | |
| 46 | V _{DD} | - | Power supply +2.5 V | 110 | MA18 | O | External memory address bus | |
| 47 | IOV _{DD} | - | Power supply +3.3 V | 111 | MA19 | O | | |
| 48 | PA0 | I/O | I/O port A | 112 | MA21/PF1 | O | External memory address bus / Port F | |
| 49 | PA1 | I/O | | 113 | MA22/PF2 | O | | |
| 50 | PA2 | I/O | | 114 | MA20 | O | External memory address bus | |
| 51 | PA3 | I/O | | 115 | MA23/PF3 | O | External memory address bus / Port F | |
| 52 | PA4 | I/O | | 116 | CSIN/PG1 | O | External memory chip select / Port G | |
| 53 | PA5 | I/O | | 117 | MA00/PF0 | O | External memory address bus / Port F | |
| 54 | PA6 | I/O | | 118 | Vss | - | Ground | |
| 55 | PA7 | I/O | Ground | 119 | V _{DD} | - | Power supply +2.5 V | |
| 56 | Vss | - | | 120 | IOV _{DD} | - | Power supply +3.3 V | |
| 57 | PB0 | I/O | I/O port B | 121 | CS2N/PE0 | O | External memory chip select / Port E | |
| 58 | PB1 | I/O | | 122 | CS3N/PE1 | O | | |
| 59 | PB2 | I/O | | 123 | CS4N/CASN/PE2 | O | | |
| 60 | PB3 | I/O | | 124 | CS5N/PE3 | O | | |
| 61 | PB4 | I/O | | 125 | CS50RDN/PE4 | O | | |
| 62 | PB5 | I/O | | 126 | CS51WRN/PE5 | O | | |
| 63 | PB6 | I/O | | 127 | CS52WRN/PE6 | O | | |
| 64 | PB7/SY1 | I/O | 128 | CS53WRN/RASN/PE7 | O | | | |

● PCM2900E/2K (X7143A00) USB PROTOCOL CONTROLLER

USB: IC101

| PIN NO. | NAME | I/O | FUNCTION | PIN NO. | NAME | I/O | FUNCTION |
|---------|-------|-----|--|---------|-------|-----|---|
| 1 | D+ | I/O | USB differential input/output plus | 15 | VOUTR | O | DAC analog output for R-channel |
| 2 | D- | I/O | USB differential input/output minus | 16 | VOUTL | O | DAC analog output for L-channel |
| 3 | VBUS | - | Connect to USB power (VBUS) | 17 | VCCP1 | - | Internal analog power supply for PLL |
| 4 | DGNDU | - | Digital ground for USB transceiver | 18 | AGNDP | - | Analog ground for PLL |
| 5 | HID0 | I | HID key state input(mute), active high | 19 | VCCP2 | - | Internal analog power supply for PLL |
| 6 | HID1 | I | HID key state input(volume up),active high | 20 | XTO | O | Crystal oscillator output |
| 7 | HID2 | I | HID key state input(volume down),active high | 21 | XTI | I | Crystal oscillator input |
| 8 | SEL0 | I | Must be set to high | 22 | AGNDX | - | Analog ground for oscillator |
| 9 | SEL1 | I | Must be set to high | 23 | VCCXI | - | Internal analog power supply for oscillator |
| 10 | VCCCI | - | Internal analog power supply for codec | 24 | TEST0 | I | Test pin, must be connected to GND |
| 11 | AGNDC | - | Analog ground for codec | 25 | TEST1 | O | Test pin, must be left open |
| 12 | VINL | I | ADC analog input for L-channel | 26 | DGND | - | Digital ground |
| 13 | VINR | I | ADC analog input for R-channel | 27 | VDDI | - | Internal digital power supply |
| 14 | VCOM | - | Common for ADC/DAC(VCCCI/2) | 28 | SSPND | O | Suspend flag, active low (Low: suspend, High: operational) |

● AK5381VT-E2 (X5219A00) ADC

DSP: ICM04

| PIN NO. | NAME | I/O | FUNCTION | PIN NO. | NAME | I/O | FUNCTION |
|---------|------|-----|---------------------------|---------|------|-----|------------------------------|
| 1 | AINR | I | Rch Analog input pin | 9 | SDTO | O | Audio serial data output pin |
| 2 | AINL | I | Lch Analog input pin | 10 | LRCK | I/O | Output channel clock pin |
| 3 | CKS1 | I | Mode select 1 pin | 11 | MCLK | I | Master clock input pin |
| 4 | VCOM | O | Common voltage output pin | 12 | SCLK | I/O | Audio serial data clock pin |
| 5 | AGND | - | Analog ground | 13 | PDN | I | Power down mode pin |
| 6 | VA | - | Analog power supply | 14 | DIF | I | Audio interface format pin |
| 7 | VD | - | Digital power supply | 15 | CKS2 | I | Mode select 2 pin |
| 8 | DGND | - | Digital ground | 16 | CKS0 | I | Mode select 0 pin |

IC BLOCK DIAGRAM (IC ブロック図)

● **NJM072BM-E-TE1 (X4543A00)**

MAIN8U: IC101 (MW8CX)
 MAIN10U: IC101 (MW10C)

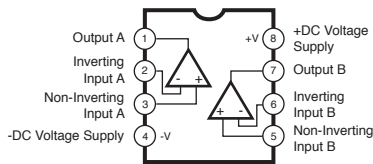
● **NJM2068MD-T2 (X3505A00)**

MAIN8U: IC302, IC402 (MW8CX)
 MAIN10U: IC302, IC402 (MW10C)
 USB: IC103, IC104

● **NJM4565M-TE (X7378A00)**

MAIN8U: IC104, IC808 (MW8CX)
 MAIN10U: IC104, IC808 (MW10C)
 DSP: ICM09, ICM11 (MW8CX)

Dual Operational Amplifier

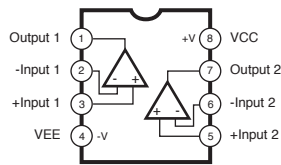


● **BA4560RF-E2 (X6897A00)**

MAIN8U: IC102, IC103, IC105, IC151, IC152, (MW8CX) IC301, IC351, IC352, IC401, IC451, IC452, IC501, IC503, IC504, IC551, IC553, IC801, IC803, IC804, IC901

MAIN10U: IC102, IC103, IC105, IC151, IC152, (MW10C) IC301, IC351, IC352, IC401, IC451, IC452, IC501-504, IC551-554, IC801-804

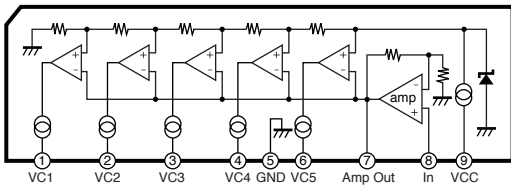
Dual Operational Amplifier



● **LB1403N-E (XZ348A00)**

MAIN8U: IC806, IC807 (MW8CX)
 MAIN10U: IC806, IC807 (MW10C)

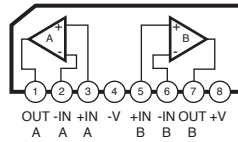
LED Level Meter



● **NJM4556AL (XP844A00)**

MAIN8U: IC805 (MW8CX)
 MAIN10U: IC805 (MW10C)

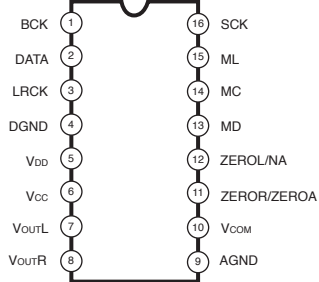
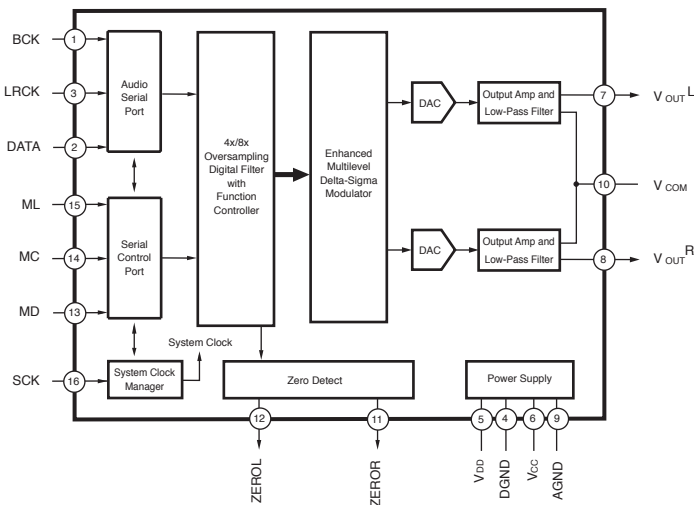
Dual Operational Amplifier



● **PCM1742KEG/2K (X3538A00)**

DSP: ICM08 (MW8CX)

Digital to Analog Converter



| Pin No. | Pin Name | I/O | Function |
|---------|-------------|-----|---|
| 1 | BCK | I | Audio Data Bit Clock Input (1) |
| 2 | DATA | I | Audio Data Digital Input (1) |
| 3 | LRCK | I | L-Channel and R-Channel Audio Data Latch Enable Input (1) |
| 4 | DGND | - | Digital Ground |
| 5 | VDD | - | Digital Power Supply, +3.3V |
| 6 | VCC | - | Analog Power Supply, +5V |
| 7 | VoutL | O | Analog Output for L-Channel |
| 8 | VoutR | O | Analog Output for R-Channel |
| 9 | AGND | - | Analog Ground |
| 10 | VCOM | - | Common Voltage Decoupling |
| 11 | ZEROR/ZEROA | O | Zero Flag Output for R-Channel/Zero Flag Output for L/R-Channel |
| 12 | ZEROL/NA | O | Zero Flag Output for L-Channel/No Assign |
| 13 | MD | I | Mode Control Data Input (2) |
| 14 | MC | I | Mode Control Clock Input (2) |
| 15 | ML | I | Mode Control Latch Input (2) |
| 16 | SCK | I | System Clock Input |

Notes: (1) Schmitt-trigger input, 5V tolerant. (2) Schmitt-trigger with internal pull-down, 5V tolerant.

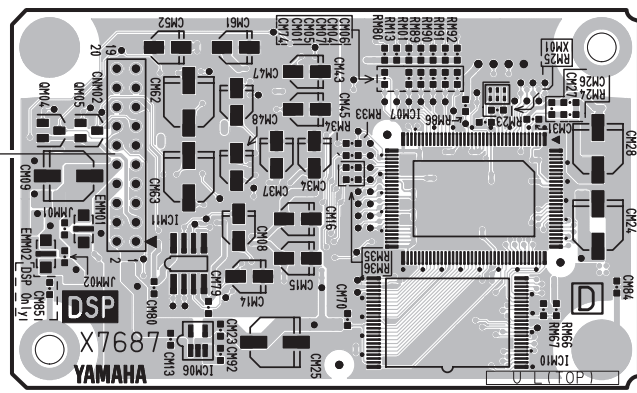
CIRCUIT BOARDS (シート基板図)

DSP Circuit Board (X7687D0) (MW8CX) 27
 MAIN8U (JACK) Circuit Board (X7686D0) (MW8CX) 28/29
 MAIN8U (MAIN) Circuit Board (X7686D0) (MW8CX) 30/31
 MAIN10U (JACK) Circuit Board (X7685D0) (MW10C) 32/33
 MAIN10U (MAIN) Circuit Board (X7685D0) (MW10C)..... 34/35
 USB Circuit Board (X7196C0)..... 27

Note: See parts list for details of circuit board component parts.

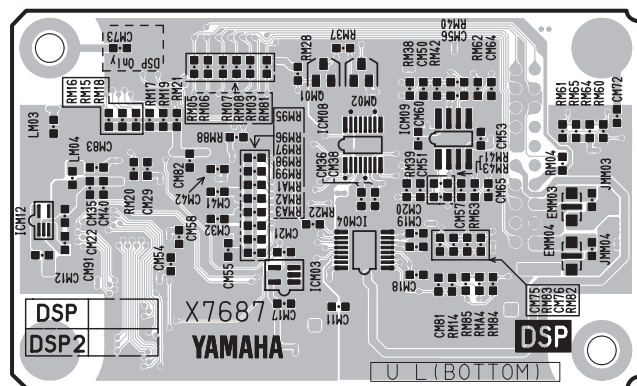
注： シートの部品詳細はパーツリストをご参照ください。

● DSP Circuit Board (MW8CX)



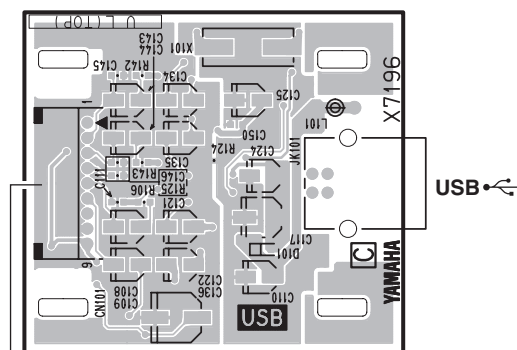
to MAIN8U (MAIN)-CN901

Component side (部品側)



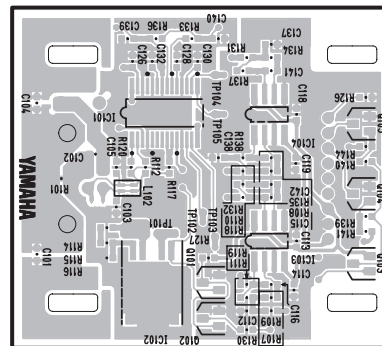
Pattern side (パターン側)

● USB Circuit Board



to MAIN8U (JACK)-CN701 (MW8CX)
 to MAIN10U (JACK)-CN701 (MW10X)

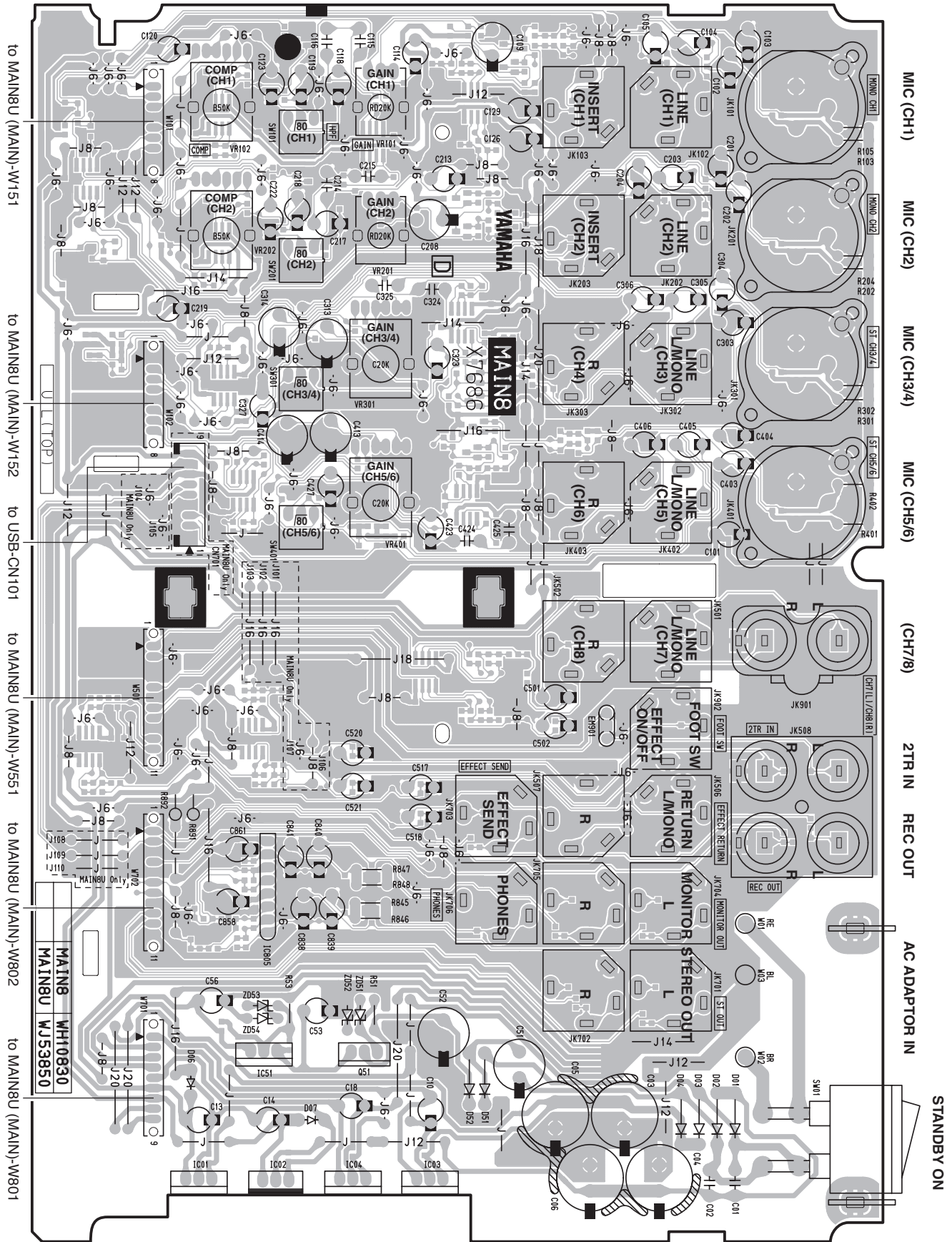
Component side (部品側)



Pattern side (パターン側)

● MAIN8U (JACK) Circuit Board (MW8CX)

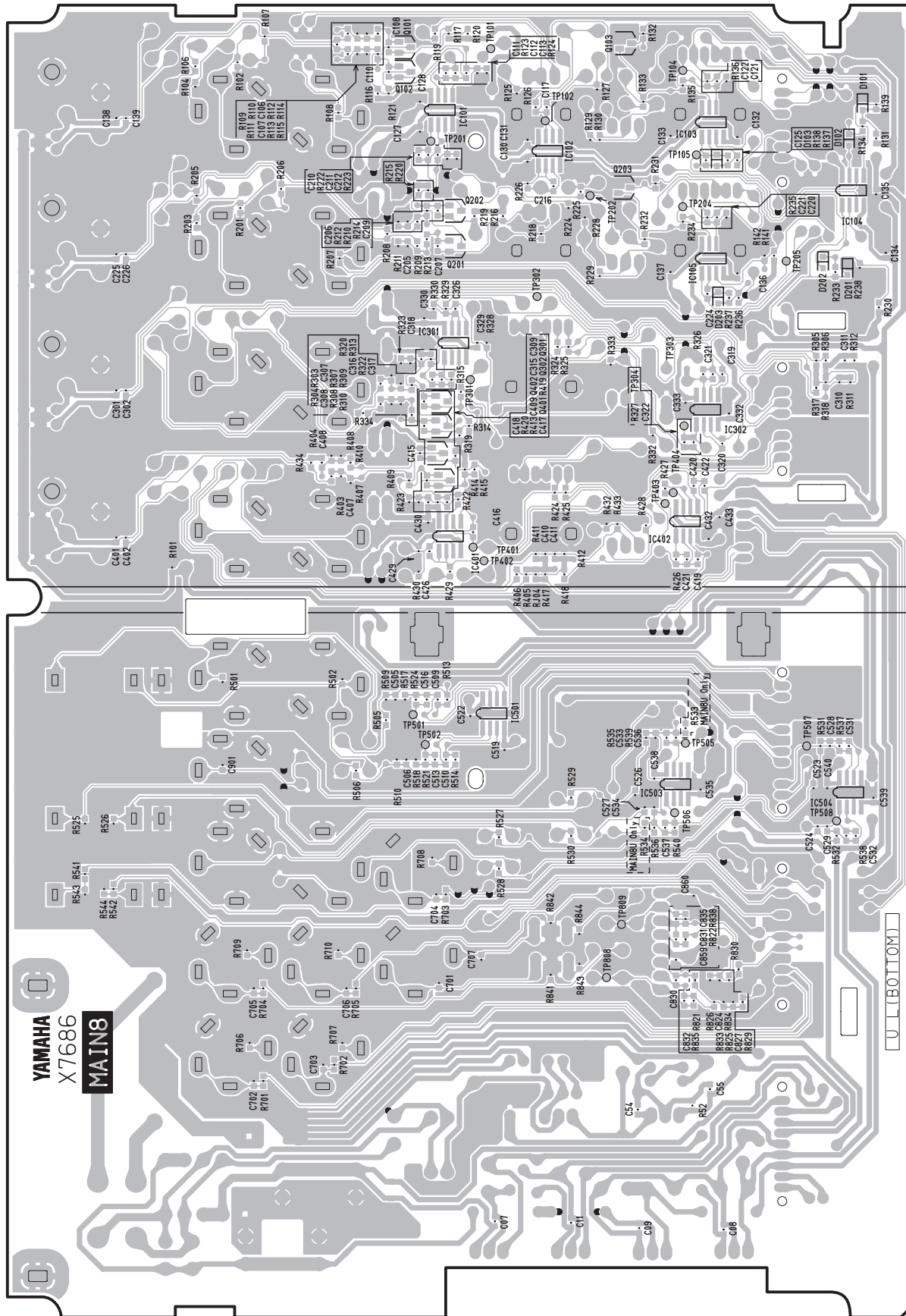
Scale: 95/100



Component side (部品側)

● MAIN8U (JACK) Circuit Board (MW8CX)

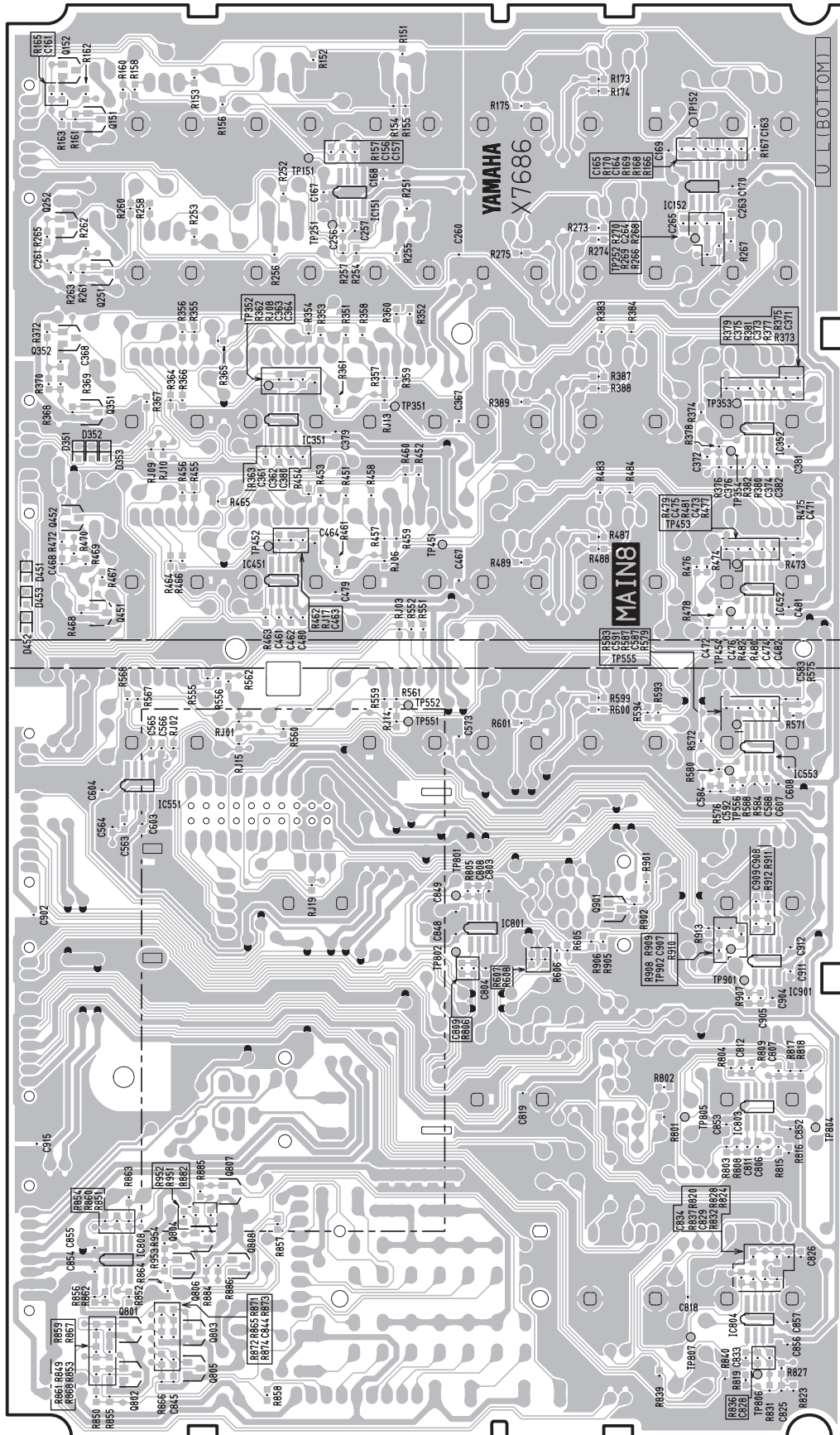
Scale: 95/100



Pattern side (パターン側)

● MAIN8U (MAIN) Circuit Board (MW8CX)

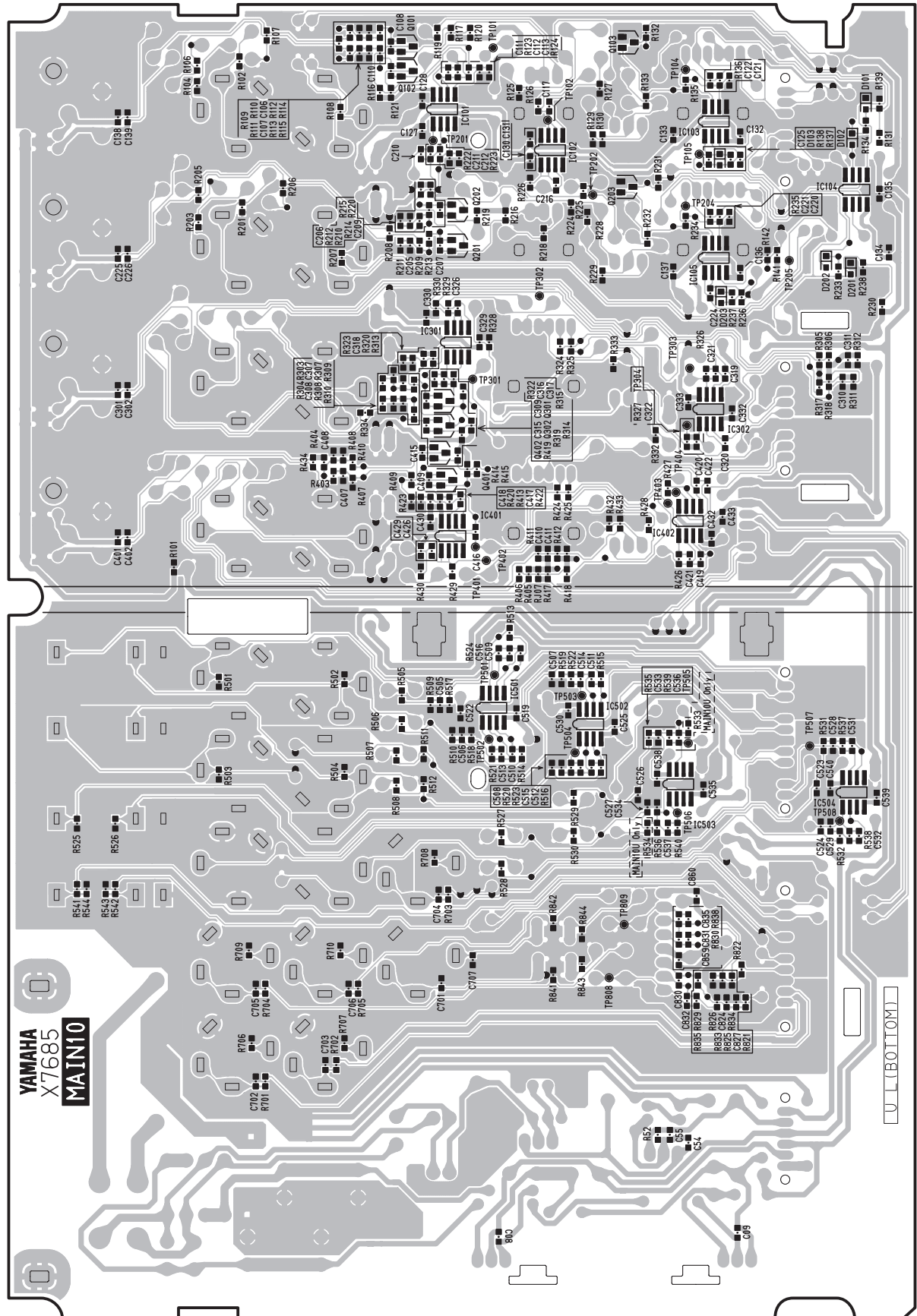
Scale: 95/100



Pattern side (パターン側)

● MAIN10U (JACK) Circuit Board (MW10C)

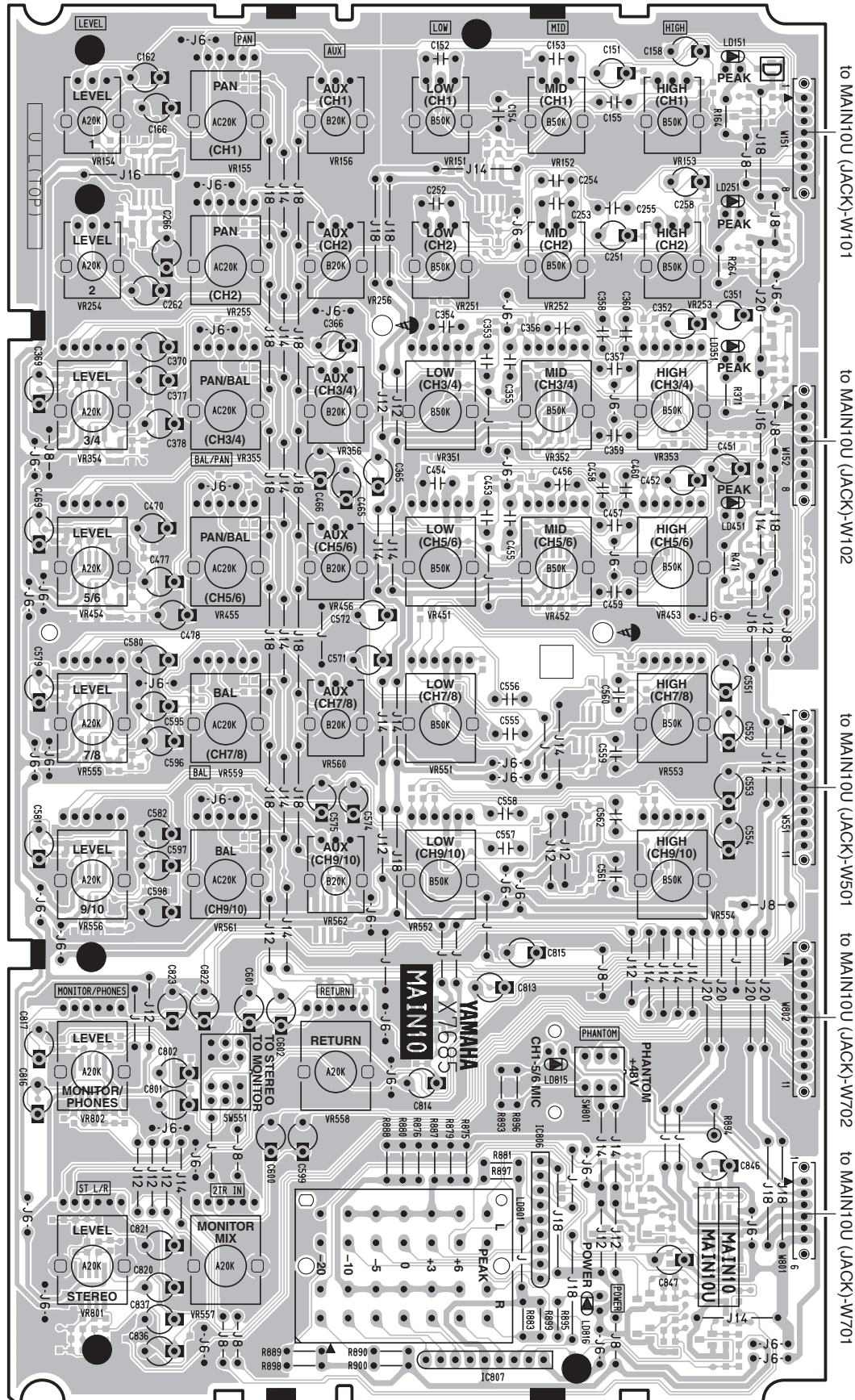
Scale: 95/100



Pattern side (パターン側)

● MAIN10U (MAIN) Circuit Board (MW10C)

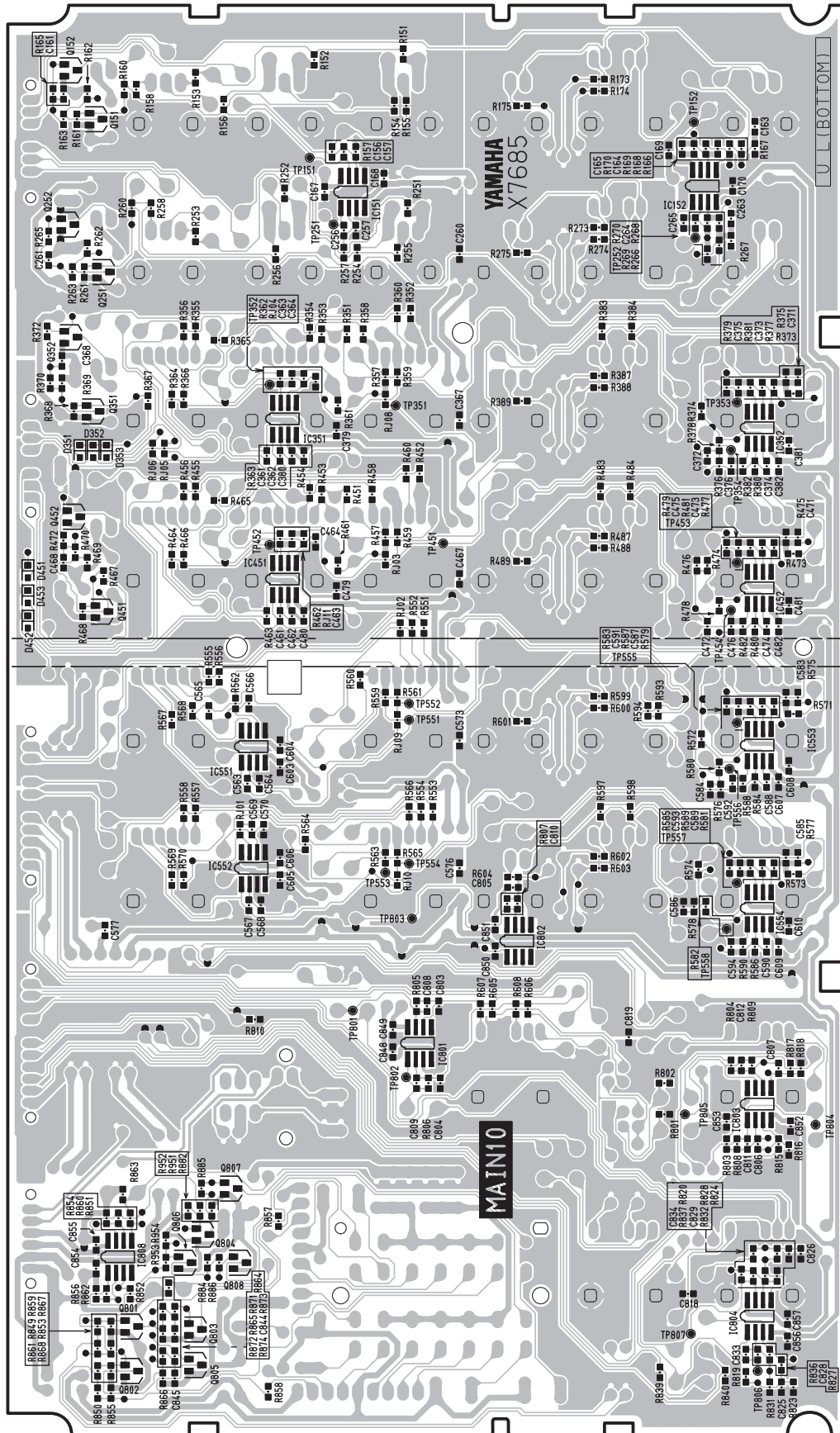
Scale: 95/100



Component side (部品側)

● MAIN10U (MAIN) Circuit Board (MW10C)

Scale: 95/100



Pattern side (パターン側)

■ INSPECTIONS

1. Measurement condition

1-1 Environment

Temperature (5°C to 40°C)

Humidity (30% to 90%)

1-2 Power supply voltage

The power supply voltage deviation should be within $\pm 10\%$.

AC adaptor PA-10 should be used.

WC703500 (U, C: 120V), WC703600 (H: 230V), WC703700 (B: 230V), WC703900 (A: 240V),

WC711000 (O: 220V), or WC703800 (K: 220V)

2. Inspections

2-1 Preparation

The load resistances for each output terminals are as follows,

PHONES (L, R): 40 ohms (3 W or more)

Others : 10 kohms

2-2 Unless otherwise specified, the controls should be set as follows,

• CH INPUT (CH1, CH2)

| | |
|----------------------------------|-----------------------------------|
| GAIN control | Maximum (-60/-34 dBu) |
| COMP control | Minimum |
| $\sqrt{80}$ switch | OFF |
| EQ gain control (HIGH, MID, LOW) | Center |
| EFFECT level control (MW8CX) | Minimum |
| AUX level control (MW10C) | Minimum |
| PAN control | L (Turned counterclockwise fully) |
| CH level control | Maximum |

• ST CH INPUT (CH3/4, CH5/6)

| | |
|----------------------------------|-----------------------------------|
| GAIN control | Maximum (-60/-34 dBu) |
| $\sqrt{80}$ switch | OFF |
| EQ gain control (HIGH, MID, LOW) | Center |
| EFFECT level control (MW8CX) | Minimum |
| AUX level control (MW10C) | Minimum |
| PAN/BAL control | L (Turned counterclockwise fully) |
| CH level control | Maximum |

• ST CH INPUT (CH7/8, CH9/10 (MW10C))

| | |
|------------------------------|-----------------------------------|
| EQ gain control (HIGH, LOW) | Center |
| EFFECT level control (MW8CX) | Minimum |
| AUX level control (MW10C) | Minimum |
| BAL control | L (Turned counterclockwise fully) |
| CH level control | Maximum |

• MASTER

| | |
|------------------------------|-----------------|
| RETURN to ST level control | Maximum |
| 2TR IN/USB level control | Minimum |
| TO STEREO/TO MONITOR switch | OFF (TO STEREO) |
| MONITOR/PHONES level control | Maximum |
| STEREO level control | Maximum |

• **DIGITAL EFFECT (MW8CX)**

DIGITAL EFFECT switch OFF (Light off)
 PROGRAM select switch 1
 PARAMETER control Minimum
 EFFECT RTN level control Minimum

• **Others**

PHANTOM switch OFF

2-3 The input signal should be 1 kHz sine wave, unless otherwise specified.

2-4 The signal source impedance should be 150 ohms.

2-5 POWER indicator

Check that the POWER LED lights when the power is turned on.

2-6 Gain

Under 2-2 setting, check that the output level at each output terminal is within the range shown in Tables 2-6-1 to 2-6-6.

* Check that the level difference between channels is 2.0 dB or less.

Table 2-6-1 CH INPUT (CH1, CH2)

| | INPUT | | Input level | GAIN control | ST OUT L | ST OUT R | EFFECT SEND (MW8CX) AUX SEND (MW10C) | MONITOR OUT L | MONITOR OUT R |
|---|--------------|------|-------------|--------------|----------------------|----------------------|---|-----------------------|-----------------------|
| ① | MIC | 1, 2 | -72.0 dBu | Maximum | +1.5 dBu ± 2.0 dB *1 | +1.5 dBu ± 2.0 dB *1 | +4.5 dBu ± 2.0 dB *2 | +18.5 dBu ± 2.0 dB *1 | +18.5 dBu ± 2.0 dB *1 |
| ② | | | -28.0 dBu | Minimum | +1.0 dBu ± 2.0 dB *1 | — | — | — | — |
| | PHONE (LINE) | 1, 2 | -2.0 dBu | Minimum | +1.5 dBu ± 2.0 dB *1 | — | — | — | — |

*1 Set the PAN control to Center.

*2 Set the EFFECT (AUX) level control to Maximum.

Table 2-6-2 CH INPUT (CH1, CH2)

| | INPUT | | Input level | GAIN control | INSERT OUT (1, 2) | REC OUT L | REC OUT R |
|---|----------------|------|-------------|--------------|--------------------|-------------------|-------------------|
| ③ | MIC | 1, 2 | -72.0 dBu | Maximum | -12.0 dBu ± 2.0 dB | — | — |
| | PHONE (INSERT) | 1 | 0 dBu | — | — | -1.3 dBu ± 2.0 dB | -1.3 dBu ± 2.0 dB |
| | | 2 | 0 dBu | — | — | -1.3 dBu ± 2.0 dB | — |

Table 2-6-3 ST CH INPUT (CH3/4, CH5/6)

| | INPUT | | Input level | GAIN control | ST OUT L | ST OUT R | EFFECT SEND (MW8CX) AUX SEND (MW10C) |
|---|--------------|----------------------|-------------|--------------|----------------------|----------------------|---|
| ④ | MIC | 3/4, 5/6 | -72.0 dBu | Maximum | +1.5 dBu ± 2.0 dB *1 | +1.5 dBu ± 2.0 dB *1 | +7.0 dBu ± 2.0 dB |
| ⑤ | | | -28.0 dBu | Minimum | +1.5 dBu ± 2.0 dB *1 | +1.5 dBu ± 2.0 dB *1 | — |
| ⑥ | PHONE (LINE) | 3 L/MONO 5 L/MONO | -46.0 dBu | Maximum | +1.5 dBu ± 2.0 dB *1 | — | +7.0 dBu ± 2.0 dB |
| ⑦ | | 4 R, 6 R | | | — | +1.5 dBu ± 2.0 dB *1 | +1.0 dBu ± 2.0 dB |

*1 Set the PAN control to Center.

Table 2-6-4 ST CH INPUT (CH7/8, CH9/10: MW10C)

| | INPUT | | Input level | GAIN control | ST OUT L | ST OUT R | EFFECT SEND (MW8CX) AUX SEND (MW10C) |
|---|-----------------|---------------------|-------------|--------------|-------------------|-------------------|---|
| ⑧ | PHONE (LINE) | 7 L 9 L (MW10C) | -22.0 dBu | — | +4.5 dBu ± 2.0 dB | — | +1.5 dBu ± 2.0 dB |
| ⑨ | | 8 R 10 R (MW10C) | | | — | +4.5 dBu ± 2.0 dB | |
| | PIN (LINE) | 7 L 9 L (MW10C) | | | +4.5 dBu ± 2.0 dB | — | — |
| | | 8 R 10 R (MW10C) | | | — | +4.5 dBu ± 2.0 dB | — |

**Table 2-6-5 EFFECT RETURN (MW8CX) (L/MONO, R)
AUX RETURN (MW10C) (L/MONO, R)**

| | INPUT | | Input level | ST OUT L | ST OUT R |
|---|-----------------|--------|-------------|-------------------|-------------------|
| ⑩ | PHONE (LINE) | L/MONO | -8.0 dBu | +3.5 dBu ± 2.0 dB | +3.5 dBu ± 2.0 dB |
| | | R | | — | +3.5 dBu ± 2.0 dB |

Table 2-6-6 2TR IN (L, R)

| | INPUT | | Input level | ST OUT L | ST OUT R | MONITOR OUT L | MONITOR OUT R | PHONES L | PHONES R |
|---|---------------|---|-------------|--------------------|--------------------|----------------------|----------------------|-----------------------|-----------------------|
| ⑪ | PIN (LINE) | L | -35.8 dBu | -12.5 dBu ± 2.0 dB | — | -2.0 dBu ± 2.0 dB *3 | — | -13.5 dBu ± 2.0 dB *3 | — |
| ⑫ | | R | | — | -12.5 dBu ± 2.0 dB | — | -2.0 dBu ± 2.0 dB *3 | — | -13.5 dBu ± 2.0 dB *3 |

* Set the 2TR IN level control to Maximum when measuring for Table 2-6-6.

*3 Turn on the TO STEREO/TO MONITOR switch (TO MONITOR setting).

2-7 Frequency characteristics

For the signal paths ① to ⑫ (excluding ③, ⑥, and ⑦) in Tables 2-6-1 to 2-6-6, check that the output level at each output terminal when the signal frequency is set to 20 Hz and 20 kHz is within the range of +1.0/-2.5 dB compared with output level when the signal frequency is set to 1 kHz.

* Check that the output level is within the range of +1.0/-4.5 dB when the GAIN control is at Maximum and the signal frequency is set to 20 Hz.

* For the signal path ①, check the ST OUT L, R and EFFECT SEND (AUX SEND in case of MW10C) when the signal is input to CH1, and check only the ST OUT L when the signal is input to CH2.

* For the signal paths ④ to ⑨, check only the ST OUT L or ST OUT R.

* For the signal paths ⑪ and ⑫, check only the MONITOR OUT L, R and PHONES L, R.

2-8 High pass filter

Under 2-2 setting, input the signal of -36.0 dBu, 80 Hz to the MIC INPUT and turn on the $\sqrt{80}$ switches of CH1 to CH5/6.

Then, check that the output level at the ST OUT L is within the range shown in Table 2-8-1 compared with the level when the switch is off.

Table 2-8-1

| INPUT | | Input level | GAIN control | Input frequency | ST OUT L |
|-------|-------|-------------|--------------|-----------------|-------------------|
| MIC | 1-5/6 | -36.0 dBu | Minimum | 80 Hz | -3.0 dBu ± 2.0 dB |

* Set the GAIN control to Minimum.

2-9 Channel equalizer characteristics

Under 2-2 setting, check that the output level at the ST OUT L, R in each frequency when the HIGH, MID, and LOW of EQ gain controls are moved respectively is within the range shown in Table 2-9-1 compared with the output level when the EQ gain controls are at the center click position. If it is out of the range, change the input frequency within the range of ±20% and check that the output level of the ST OUT L, R is within the range shown in Table 2-9-1.

- * When the signal is input to CH1, CH2, CH7 L or CH9 L (MW10C), measure the output level at the ST OUT L.
- * When the signal is input to CH3 L/MONO or CH5 L/MONO, measure the output level at the ST OUT L and ST OUT R.
- * When the signal is input to CH8 R or CH10 R (MW10C), measure the output level at the ST OUT R.

Table 2-9-1

| INPUT | | EQ gain control | | Input frequency | Variation Width |
|--------------|------------------------------|-----------------|---------|-----------------|-------------------|
| | | | | | ST OUT (L, R) |
| PHONE (LINE) | 1, 2 3 L/MONO | HIGH | Maximum | 10 kHz | +12.0 dB ± 2.0 dB |
| | | | Minimum | | -12.0 dB ± 2.0 dB |
| | 5 L/MONO 7 L, 8 R | MID | Maximum | 2.5 kHz | +15.0 dB ± 2.0 dB |
| | | | Minimum | | -15.0 dB ± 2.0 dB |
| | 9 L (MW10C), 10 R (MW10C) | LOW | Maximum | 100 Hz | +12.0 dB ± 2.0 dB |
| | | | Minimum | | -12.0 dB ± 2.0 dB |

* CH7/CH8 and CH9/CH10 (MW10C) have only HIGH and LOW controls.

2-10 Channel separation

Under 2-2 setting, turn the PAN (PAN/BAL, BAL) control counterclockwise fully and check that the leakage level to the ST OUT R is -50.0 dBu or less when the output level at the ST OUT L is set to +20.0 dBu.

- * Turn the PAN (PAN/BAL, BAL) controls of all the channels counterclockwise fully.
- * Set the "RETURN to ST level control" to Minimum.
- * Turn the PAN (PAN/BAL, BAL) control clockwise fully and check that the leakage level to the ST OUT L is -50.0 dBu or less when the output level at the ST OUT R is set to +20.0 dBu.
- * Turn the PAN (PAN/BAL, BAL) controls of all the channels clockwise fully.
- * Set the "RETURN to ST level control" to Minimum.

2-11 Channel PEAK indicator

Under 2-2 setting, input the signal to the MIC INPUT and check that the input level at which the PEAK LED begins to light is within the range shown in Table 2-11-1.

Table 2-11-1

| INPUT | | PEAK LED |
|-------|---------|--------------------|
| MIC | 1 – 5/6 | -43.0 dBu ± 2.0 dB |

2-12 Meter indicator

Check that the PEAK LED lights up when the output level at the ST OUT L, R is set to +17.0 ± 2.0 dBu.
 Check that the 0 LED lights up when the output level at the ST OUT L, R is set to +4.0 ± 2.0 dBu.
 Check that the -20 LED lights up when the output level of the ST OUT L, R is set to -16.0 ± 3.0 dBu.
 Check that the LEDs from -20 to PEAK light up sequentially by operating the STEREO level control.

2-13 Distortion

For the signal paths ① to ⑫ (excluding ①, ④, ⑥ and ⑦) in Tables 2-6-1 to 2-6-6, check that the distortion is 0.1% or less when the output level at each output except PHONES L, R is +14.0 dBu.

- * Change the input signal frequency to 20 Hz, 1 kHz and 20 kHz, and measure the distortion.
- * Set the CH level controls other than the measurement channel to Minimum.
- * For the signal path ②, turn the PAN control counterclockwise fully and check that the distortion is 0.1% or less when the output level at the ST OUT L is set to +4.0 dBu.
- * For the signal path ⑤, turn the PAN/BAL control clockwise and counterclockwise fully and check that the distortion is 0.1% or less when the output level at the ST OUT L, R is set to +4.0 dBu.
- * For the signal path ⑧, check all the outputs when the signal is input to CH7 L, and check only the ST OUT L when the signal is input to CH9 L (MW10C).

- * For the signal path ⑨, check only the ST OUT R.
- * For the signal paths ⑪ and ⑫, check only the MONITOR OUT L, R.

2-14 Maximum output

Under 2-2 setting, input the signal to the MIC INPUT of CH1.
 Check that the distortion is 1.0% or less when the output level of the ST OUT L, R, EFFECT SEND (AUX SEND in case of MW10C), and MONITOR OUT L, R is set to +20.0 dBu.
 Check that the distortion is 1.0% or less when the output level at the PHONES L, R is set to +7.5 dBu.
 * Turn the PAN (PAN/BAL, BAL) control clockwise or counterclockwise fully.
 * Set the CH level controls other than CH1 to Minimum.

2-15 Equivalent input noise

Under 2-2 setting, check that the noise level at the ST OUT L is -52.0 dBu or less when the 2 pin and 3 pin of the CH INPUT MIC are connected with the resistor of 150 ohms.
 If the noise level is -52.0 dBu or more, check that the equivalent input noise level is -128.0 dBu or less.
 Check that the noise level at the ST OUT L is -44.0 dBu or less when the 2 pin and 3 pin of the ST CH INPUT MIC are connected with the resistor of 150 ohms.
 If the noise level is -44.0 dBu or more, check that the equivalent input noise level is -120.0 dBu or less.
 * [Equivalent input noise level] = [Noise level] – [Channel gain]
 * Set the CH level controls other than the measurement channel to Minimum.
 * Use the 12.7 kHz, -6 dB/octave Low Pass Filter when measuring the noise level.

2-16 Residual noise

Under 2-2 setting, set the channel level controls of all the inputs to Minimum.
 Check that the noise level at each output terminal is not more than the values shown in Table 2-16-1 when the MASTER volume is set to Maximum and Minimum.
 * Set the STEREO level control to Minimum when measuring at the MONITOR OUT L, R and PHONES L, R.
 * Use the 12.7 kHz, -6 dB/octave Low Pass Filter when measuring the noise level.

Table 2-16-1

| MASTER volume | ST OUT (L, R) | EFFECT SEND (MW8CX) AUX SEND (MW10C) | MONITOR OUT (L, R) |
|---------------|---------------|---|--------------------|
| MAX | -81.0 dBu | -85.0 dBu | -78.0 dBu |
| MIN | -100.0 dBu | — | -93.0 dBu |

2-17 Compressor

2-17-1 Gain

Under 2-2 setting, check that the output level at the INSERT OUT 1, 2 is within the range shown in Table 2-17-1 when the COMP controls for the CH1 and CH2 are set to Maximum.

Table 2-17-1

| INPUT | Input level | COMP control | INSERT OUT (1, 2) | |
|-------|-------------|--------------|-------------------|-------------------|
| MIC | 1, 2 | -65.0 dBu | Maximum | +3.0 dBu ± 2.0 dB |

2-17-2 Ratio

Check that the output level at the INSERT OUT 1, 2 is within the range shown in Table 2-17-2 compared with the output level in Table 2-17-1 when the input level is increased by 10.0 dB.

Table 2-17-2

| INPUT | Input level | COMP control | INSERT OUT (1, 2) | |
|-------|-------------|--------------|-------------------|-------------------|
| MIC | 1, 2 | -55.0 dBu | Maximum | +3.3 dBu ± 1.0 dB |

2-17-3 Frequency characteristic

Under the setting of Table 2-17-2, check that the output level at the INSERT OUT 1, 2 when the signal frequency is set to 20 Hz and 20 kHz is within the range of ± 3.0 dB compared with the output level when the signal frequency is set to 1 kHz.

2-17-4 Distortion

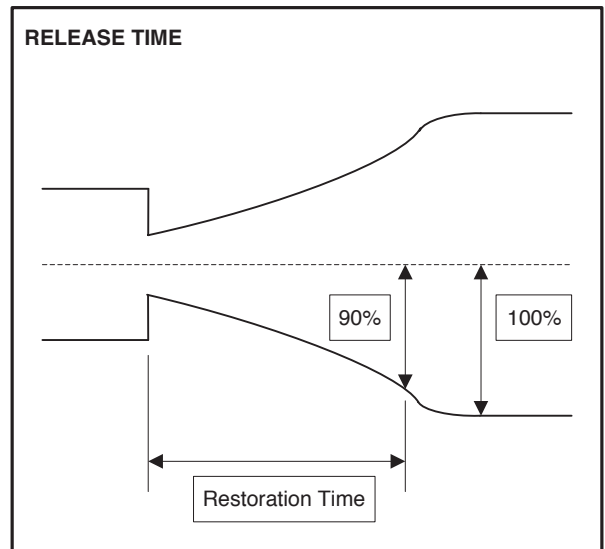
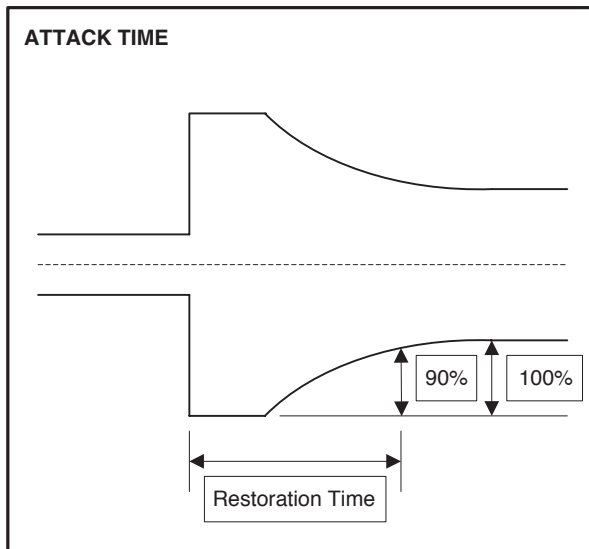
Under the setting of Table 2-17-2, check that the distortion when the signal frequency is set to 20 Hz, 1 kHz, and 20 kHz is equal to or less than the values shown in Table 2-17-4.

Table 2-17-4

| Input Frequency | Distortion |
|-----------------|------------|
| 20 Hz | 5.0 % |
| 1 kHz | 1.0 % |
| 20 kHz | 1.0 % |

2-17-5 Attack, Release time

Under the setting of Table 2-17-2, check that the attack time and release time of output at the INSERT OUT 1, 2 are within the range shown in Table 2-17-5.



- * Attack time = Restoration time (at 90%) since the input is changed from -66.0 dBu to -56.0 dBu.
- * Release time = Restoration time (at 90%) since the input is changed from -56.0 dBu to -66.0 dBu.

Table 2-17-5

| | INSERT OUT (1, 2) |
|--------------|-------------------|
| Attack time | 15 ms – 35 ms |
| Release time | 170 ms – 420 ms |

2-18 Digital effect (MW8CX)

Set each volume of CH1, MASTER and DIGITAL EFFECT as follows,

- **CH INPUT (CH1)**

| | |
|----------------------|---------|
| EFFECT level control | Maximum |
| CH level control | Maximum |

- **MASTER**

| | |
|----------------------|---------|
| STEREO level control | Maximum |
|----------------------|---------|

- **DIGITAL EFFECT**

| | |
|--------------------------|---------------|
| DIGITAL EFFECT switch | ON (lighting) |
| PROGRAM select switch | PROGRAM 16 |
| PARAMETER control | Minimum |
| EFFECT RTN level control | Maximum |

- * Set the other volumes to Minimum or Center and turn off the switches.
- * Turn the PAN control clockwise or counterclockwise fully.

Input the signal of -50.0 dBu to the CH1 MIC input.
 Then, check that the output level at the ST OUT L, R is -10.0 dBu or more.
 Short the input with 150 ohms resistor and set the EFFECT level control and the CH level control of CH1 to Minimum.
 Then, check that the noise level at the ST OUT L, R is -57.0 dBu or less.
 * Use the 12.7 kHz, -6 dB/octave Low Pass Filter when measuring the noise level.

2-19 USB

2-19-1 Recording

With the settings as in [Table 2-19-1], record onto a personal computer via USB. (See procedure 2-2 for other settings.)

Table 2-19-1

| | INPUT | Input level | PAN control |
|---|----------|-------------|-------------|
| L | INSERT 1 | -20.0 dBu | L |
| R | | | R |

2-19-2 Gain

Check that output levels at MONITOR OUT L, R are within the levels in the [Table 2-19-2] when the recorded file is played back via USB.

Table 2-19-2

| | MONITOR OUT L | MONITOR OUT R |
|---|--------------------|--------------------|
| L | +12.0 dBu ± 3.0 dB | — |
| R | — | +12.0 dBu ± 3.0 dB |

- * Set the 2TR IN/USB level control to maximum.
- * Turn on the TO STEREO/TO MONITOR switch (TO MONITOR setting).
- * Set the STEREO level control to minimum.
- * Set the sound control of the personal computer to maximum.

3. Others

Execute each test with controls set effective.

3-1 Effect (MW8CX only)

Check that each program works properly when the programs 1, 6, 11, and 16 are set with the PROGRAM switch.
Check that the output sound is changed properly for each program when the PARAMETER controls are operated.
Check that there is no abnormal noise when the PROGRAM switch is switched.

3-2 PHANTOM power supply

Connect the resistor of 10 kohms (1 W or more) between the 1 pin and 2 pin of the MIC input and short circuit between the 2 pin and 3 pin.
Check that the voltage between the 1 pin and 2 pin is between +33.0 V and +37.0 V when the PHANTOM switch is turned on (LED should light).

4. Factory default

4-1 Factory default

- EQ gain control : Center
- PAN (PAN/BAL, BAL) control : Center
- Other VR control : Minimum
- FADER : Minimum
- Lock-PUSH switch : OFF
- ON/STANDBY switch (rear) : STANDBY
- PROGRAM select switch (MW8CX) : PROGRAM 1

■ 検査

1. 測定条件

1-1 環境

温度 (5°C ~ 40°C)
湿度 (30% ~ 90%)

1-2 電源電圧

電源電圧は±10%以内とします。
AC アダプター PA-10 (WC703400) を使用してください。

2. 検査

2-1 準備

各出力端子の負荷抵抗は下記の通りです。

PHONES (L, R) : 40 ohms (3W 以上)
Others : 10 kohms

2-2 特に指定の無い場合、ツマミ類は以下のように設定してください。

・ CH INPUT (CH1, CH2)

| | |
|----------------------------------|-------------------|
| GAIN control | 最大 (-60/-34 dBu) |
| COMP control | 最小 |
| /80 switch | OFF |
| EQ gain control (HIGH, MID, LOW) | CENTER |
| EFFECT level control (MW8CX) | 最小 |
| AUX level control (MW10C) | 最小 |
| PAN control | L (反時計方向一杯に回します。) |
| CH level control | 最大 |

・ ST CH INPUT (CH3/4, CH5/6)

| | |
|----------------------------------|-------------------|
| GAIN control | 最大 (-60/-34 dBu) |
| /80 switch | OFF |
| EQ gain control (HIGH, MID, LOW) | CENTER |
| EFFECT level control (MW8CX) | 最小 |
| AUX level control (MW10C) | 最小 |
| PAN/BAL control | L (反時計方向一杯に回します。) |
| CH level control | 最大 |

・ ST CH INPUT (CH7/8, CH9/10 (MW10C))

| | |
|------------------------------|-------------------|
| EQ gain control (HIGH, LOW) | CENTER |
| EFFECT level control (MW8CX) | 最小 |
| AUX level control (MW10C) | 最小 |
| BAL control | L (反時計方向一杯に回します。) |
| CH level control | 最大 |

・ MASTER

| | |
|------------------------------|-----------------|
| RETURN to ST level control | 最大 |
| 2TR IN/USB level control | 最小 |
| TO STEREO/TO MONITOR switch | OFF (TO STEREO) |
| MONITOR/PHONES level control | 最大 |
| STEREO level control | 最大 |

・ **DIGITAL EFFECT (MW8CX)**

| | |
|--------------------------|----------|
| DIGITAL EFFECT switch | OFF (消灯) |
| PROGRAM select switch | 1 |
| PARAMETER control | 最小 |
| EFFECT RTN level control | 最小 |

・ **Others**

| | |
|----------------|-----|
| PHANTOM switch | OFF |
|----------------|-----|

2-3 特に指定の無い場合、入力信号は 1 kHz 正弦波を使用します。

2-4 信号源インピーダンスは 150 Ω とします。

2-5 **POWER** インジケータ

電源投入時に POWER LED が点灯することを確認します。

2-6 利得

2-2 の設定で、各出力端子に得られる出力レベルは [表 2-6-1 ~ 2-6-6] の範囲内であることを確認します。

* チャンネル間レベル差は 2.0 dB 以下であることを確認します。

表 2-6-1 CH INPUT (CH1, CH2)

| | INPUT | | Input level | GAIN control | ST OUT L | ST OUT R | EFFECT SEND (MW8CX) AUX SEND (MW10C) | MONITOR OUT L | MONITOR OUT R |
|---|--------------|------|-------------|--------------|----------------------|----------------------|---|-----------------------|-----------------------|
| ① | MIC | 1, 2 | -72.0 dBu | 最大 | +1.5 dBu ± 2.0 dB *1 | +1.5 dBu ± 2.0 dB *1 | +4.5 dBu ± 2.0 dB *2 | +18.5 dBu ± 2.0 dB *1 | +18.5 dBu ± 2.0 dB *1 |
| ② | | | -28.0 dBu | 最小 | +1.0 dBu ± 2.0 dB *1 | — | — | — | — |
| | PHONE (LINE) | 1, 2 | -2.0 dBu | 最小 | +1.5 dBu ± 2.0 dB *1 | — | — | — | — |

*1 PAN コントロールを CENTER に設定してください。

*2 EFFECT (AUX) レベルコントロールを最大に設定してください。

表 2-6-2 CH INPUT (CH1, CH2)

| | INPUT | | Input level | GAIN control | INSERT OUT (1, 2) | REC OUT L | REC OUT R |
|---|----------------|------|-------------|--------------|--------------------|-------------------|-------------------|
| ③ | MIC | 1, 2 | -72.0 dBu | 最大 | -12.0 dBu ± 2.0 dB | — | — |
| | PHONE (INSERT) | 1 | 0 dBu | — | — | -1.3 dBu ± 2.0 dB | -1.3 dBu ± 2.0 dB |
| | | 2 | 0 dBu | — | — | -1.3 dBu ± 2.0 dB | — |

表 2-6-3 ST CH INPUT (CH3/4, CH5/6)

| | INPUT | | Input level | GAIN control | ST OUT L | ST OUT R | EFFECT SEND (MW8CX) AUX SEND (MW10C) |
|---|--------------|----------------------|-------------|--------------|----------------------|----------------------|---|
| ④ | MIC | 3/4, 5/6 | -72.0 dBu | 最大 | +1.5 dBu ± 2.0 dB *1 | +1.5 dBu ± 2.0 dB *1 | +7.0 dBu ± 2.0 dB |
| ⑤ | | | -28.0 dBu | 最小 | +1.5 dBu ± 2.0 dB *1 | +1.5 dBu ± 2.0 dB *1 | — |
| ⑥ | PHONE (LINE) | 3 L/MONO 5 L/MONO | -46.0 dBu | 最大 | +1.5 dBu ± 2.0 dB *1 | — | +7.0 dBu ± 2.0 dB |
| ⑦ | | 4 R, 6 R | | | — | +1.5 dBu ± 2.0 dB *1 | +1.0 dBu ± 2.0 dB |

*1 PAN コントロールを CENTER に設定してください。

表 2-6-4 ST CH INPUT (CH7/8, CH9/10: MW10C)

| | INPUT | | Input level | GAIN control | ST OUT L | ST OUT R | EFFECT SEND (MW8CX) AUX SEND (MW10C) |
|---|-----------------|---------------------|-------------|--------------|-------------------|-------------------|---|
| ⑧ | PHONE (LINE) | 7 L 9 L (MW10C) | -22.0 dBu | — | +4.5 dBu ± 2.0 dB | — | +1.5 dBu ± 2.0 dB |
| ⑨ | | 8 R 10 R (MW10C) | | | — | +4.5 dBu ± 2.0 dB | |
| | PIN (LINE) | 7 L 9 L (MW10C) | | | +4.5 dBu ± 2.0 dB | — | — |
| | | 8 R 10 R (MW10C) | | | — | +4.5 dBu ± 2.0 dB | — |

表 2-6-5 EFFECT RETURN (MW8CX) (L/MONO, R)
AUX RETURN (MW10C) (L/MONO, R)

| | INPUT | | Input level | ST OUT L | ST OUT R |
|---|-----------------|--------|-------------|-------------------|-------------------|
| ⑩ | PHONE (LINE) | L/MONO | -8.0 dBu | +3.5 dBu ± 2.0 dB | +3.5 dBu ± 2.0 dB |
| | | R | | — | +3.5 dBu ± 2.0 dB |

表 2-6-6 2TR IN (L, R)

| | INPUT | | Input level | ST OUT L | ST OUT R | MONITOR OUT L | MONITOR OUT R | PHONES L | PHONES R |
|---|---------------|---|-------------|--------------------|--------------------|----------------------|----------------------|-----------------------|-----------------------|
| ⑪ | PIN (LINE) | L | -35.8 dBu | -12.5 dBu ± 2.0 dB | — | -2.0 dBu ± 2.0 dB *3 | — | -13.5 dBu ± 2.0 dB *3 | — |
| ⑫ | | R | | — | -12.5 dBu ± 2.0 dB | — | -2.0 dBu ± 2.0 dB *3 | — | -13.5 dBu ± 2.0 dB *3 |

* [表 2-6-6] 測定時は、2TR IN レベルコントロールを最大に設定してください。

*3 TO STEREO/TO MONITOR スイッチをオン (TO MONITOR に) してください。

2-7 周波数特性

[表 2-6-1 ~ 2-6-6] の①~⑫ (③, ⑥, ⑦を除く) の系統において、信号周波数を 20 Hz, 20 kHz とした時、各出力端子に得られる出力レベルは、1 kHz を基準として +1.0 dB/-2.5 dB の範囲内であることを確認します。

* GAIN コントロールが最大の時、20 Hz は +1.0 dB/-4.5 dB の範囲内であることを確認します。

* ①の系統は CH1 のみ ST OUT L, R, EFFECT SEND (MW10C は AUX SEND) で確認し、CH2 は ST OUT L のみで確認します。

* ④~⑨の系統は、ST OUT L または ST OUT R のみで確認します。

* ⑪と⑫の系統は MONITOR OUT L, R と PHONES L, R のみで確認します。

2-8 ハイパスフィルター

2-2 の設定で、MIC INPUT に -36.0 dBu 80 Hz の信号を入力し、CH1 ~ CH5/6 の ∞ スイッチをオンします。

この時、ST OUT L に得られる出力レベルは、オフ時のレベルを基準として [表 2-8-1] の範囲内であることを確認します。

表 2-8-1

| INPUT | | Input level | GAIN control | Input frequency | ST OUT L |
|-------|-------|-------------|--------------|-----------------|-------------------|
| MIC | 1-5/6 | -36.0 dBu | 最小 | 80 Hz | -3.0 dBu ± 2.0 dB |

* GAIN コントロールは最小に設定してください。

2-9 チャンネル EQ 変化特性

2-2 の設定で、EQ ゲインコントロールの HIGH, MID, LOW をそれぞれ動かした時、ST OUT L, R に得られる各周波数における出力レベルは、センタークリック位置の出力レベルを基準として [表 2-9-1] の範囲内であることを確認します。[表 2-9-1] の範囲内の出力が得られない場合は、印加周波数を ± 20% の範囲で変化させ、ST OUT L, R に [表 2-9-1] の範囲内の出力が得られることを確認します。

* CH1, CH2, CH7 L, CH9 L (MW10C) に信号入力時は、ST OUT L にて測定してください。

* CH3 L/MONO, CH5 L/MONO に信号入力時は、ST OUT L および ST OUT R にて測定してください。

* CH8 R, CH10 R (MW10C) に信号入力時は、ST OUT R にて測定してください。

表 2-9-1

| INPUT | | EQ gain control | | Input frequency | Variation Width |
|-----------------|--|-----------------|----|-----------------|-------------------|
| | | | | | ST OUT (L, R) |
| PHONE (LINE) | 1, 2 3 L/MONO 5 L/MONO 7 L, 8 R 9 L (MW10C), 10 R (MW10C) | HIGH | 最大 | 10 kHz | +12.0 dB ± 2.0 dB |
| | | | 最小 | | -12.0 dB ± 2.0 dB |
| | | MID | 最大 | 2.5 kHz | +15.0 dB ± 2.0 dB |
| | | | 最小 | | -15.0 dB ± 2.0 dB |
| | | LOW | 最大 | 100 Hz | +12.0 dB ± 2.0 dB |
| | | | 最小 | | -12.0 dB ± 2.0 dB |

* CH7/8 と CH9/10 (MW10C) は HIGH と LOW のみです。

2-10 チャンネルセパレーション

2-2 の設定で、PAN (PAN/BAL, BAL) コントロールを L に回しきり、ST OUT L の出力レベルを +20.0 dBu とした時、ST OUT R への漏れレベルは -50.0 dBu 以下であることを確認します。

* 全チャンネルの PAN (PAN/BAL, BAL) コントロールを L に回しきってください。

* RETURN to ST レベルコントロールは最小に設定してください。

* PAN (PAN/BAL, BAL) コントロールを R に回しきり、ST OUT R の出力レベルを +20.0 dBu とした時、ST OUT L への漏れレベルは -50.0 dBu 以下であることを確認します。

* 全チャンネルの PAN (PAN/BAL, BAL) コントロールを R に回しきってください。

* RETURN to ST レベルコントロールは最小に設定してください。

2-11 チャンネル PEAK インジケータ

2-2 の設定で MIC INPUT に信号を入力した時、PEAK LED が点灯する入力レベルは [表 2-11-1] の範囲内であることを確認します。

表 2-11-1

| INPUT | | PEAK LED |
|-------|-------|--------------------|
| MIC | 1-5/6 | -43.0 dBu ± 2.0 dB |

2-12 メーターインジケータ

ST OUT L, R の出力レベルが +17.0 ± 2.0 dBu の時、PEAK LED が点灯することを確認します。

ST OUT L, R の出力レベルが +4.0 ± 2.0 dBu の時、0 LED が点灯することを確認します。

ST OUT L, R の出力レベルが -16.0 ± 3.0 dBu の時、-20 LED が点灯することを確認します。

STEREO レベルコントロールの操作により、-20 から PEAK まで順に LED が点灯することを確認します。

2-13 歪率

[表 2-6-1 ~ 2-6-6] の①~⑫ (①, ④, ⑥, ⑦を除く) の系統において、PHONES L, R を除く各出力端子に +14.0 dBu の出力が得られた時の歪率は 0.1 % 以下であることを確認します。

* 入力信号周波数を 20 Hz, 1 kHz, 20 kHz に変更し歪率を測定してください。

* 測定チャンネル以外の CH レベルコントロールは最小に設定してください。

* ②の系統は、PAN コントロールを L に回しきり、ST OUT L に +4.0 dBu の出力が得られた時の歪率が 0.1% 以下であることを確認します。

* ⑤の系統は、PAN/BAL コントロールを L, R に回しきり、ST OUT L, R に +4.0 dBu の出力が得られた時の歪率が 0.1% 以下であることを確認します。

* ⑧の系統は、CH7 L のみ全出力で確認し、CH9 L (MW10C) は ST OUT L のみで確認します。

- * ⑨の系統は、ST OUT Rのみで確認します。
- * ⑪, ⑫の系統は、MONITOR OUT L, Rのみで確認します。

2-14 最大出力

2-2の設定で、CH1のMIC INPUTに信号を入力します。

ST OUT L, R, EFFECT SEND (MW10CはAUX SEND), MONITOR OUT L, Rに+20.0 dBuの出力が得られた時の歪率は1.0%以下であることを確認します。

PHONES L, Rに+7.5 dBuの出力が得られた時の歪率は1.0%以下であることを確認します。

* PAN (PAN/BAL, BAL) コントロールはLまたはRに回しきってください。

* CH1以外のCHレベルコントロールは最小に設定してください。

2-15 入力換算雑音

2-2の設定で、CH INPUT MICの2-3ピン間を150 Ωで接続した時、ST OUT Lに得られるノイズレベルは-52.0 dBu以下であることを確認します。

ノイズレベルが-52.0 dBu以上の場合は、入力換算ノイズレベルが-128.0 dBu以下であることを確認します。

ST CH INPUT MICの2-3ピン間を150 Ωで接続した時、ST OUT Lに得られるノイズレベルは-44.0 dBu以下であることを確認します。

ノイズレベルが-44.0 dBu以上の場合は、入力換算ノイズレベルが-120.0 dBu以下であることを確認します。

* [入力換算ノイズレベル] = [ノイズレベル] - [チャンネルゲイン]で計算します。

* 測定チャンネル以外のCHレベルコントロールは最小に設定してください。

* ノイズレベル測定時は、12.7 kHz -6 dB/octave ローパスフィルターを使用してください。

2-16 残留雑音

2-2の設定で、全入力のCHレベルコントロールを最小に設定します。

MASTER ボリュームを最大、最小に設定した時、各出力端子に得られるノイズレベルは[表 2-16-1]の値以下であることを確認します。

* MONITOR OUT L, RとPHONES L, R測定時は、STEREO レベルコントロールを最小に設定してください。

* ノイズレベル測定時は、12.7 kHz -6 dB/octave ローパスフィルターを使用してください。

表 2-16-1

| MASTER volume | ST OUT (L, R) | EFFECT SEND (MW8CX) AUX SEND (MW10C) | MONITOR OUT (L, R) |
|---------------|---------------|---|--------------------|
| MAX | -81.0 dBu | -85.0 dBu | -78.0 dBu |
| MIN | -100.0 dBu | — | -93.0 dBu |

2-17 コンプレッサー

2-17-1 ゲイン

2-2の設定で、CH1, CH2のCOMPコントロールを最大に設定した時、INSERT OUT 1, 2に得られる出力レベルは[表 2-17-1]の範囲内であることを確認します。

表 2-17-1

| INPUT | Input level | COMP control | INSERT OUT (1, 2) |
|-------|-------------------|--------------|-------------------|
| MIC | 1, 2 -65.0 dBu | 最大 | +3.0 dBu ± 2.0 dB |

2-17-2 レシオ

入力レベルを10.0 dB上げた時、INSERT OUT 1, 2に得られる出力レベルは、表 2-17-1の出力レベルを基準として[表 2-17-2]の範囲内であることを確認します。

表 2-17-2

| INPUT | Input level | COMP control | INSERT OUT (1, 2) |
|-------|-------------------|--------------|-------------------|
| MIC | 1, 2 -55.0 dBu | 最大 | +3.3 dBu ± 1.0 dB |

2-17-3 周波数特性

[表 2-17-2] の状態で、信号周波数を 20 Hz, 20 kHz とした時、INSERT OUT 1, 2 に得られる出力レベルは、1 kHz を基準として ± 3.0 dB の範囲内であることを確認します。

2-17-4 歪率

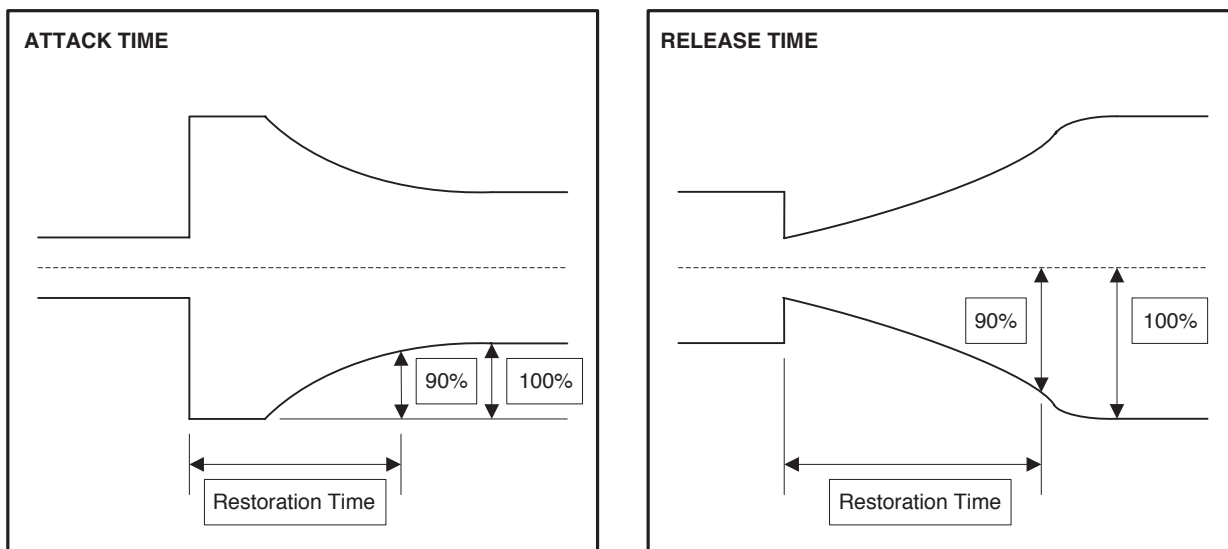
[表 2-17-2] の状態で、信号周波数を 20 Hz, 1 kHz, 20 kHz とした時の歪率は [表 2-17-4] の値以下であることを確認します。

表 2-17-4

| Input Frequency | Distortion |
|-----------------|------------|
| 20 Hz | 5.0 % |
| 1 kHz | 1.0 % |
| 20 kHz | 1.0 % |

2-17-5 アタック、リリース時間

[表 2-17-2] の状態で、INSERT OUT 1, 2 に得られる出力のアタックタイム, リリースタイムは [表 2-17-5] の範囲内であることを確認します。



* アタックタイム = 入力を -66.0 dBu から -56.0 dBu へ切替えた時の復帰時間。(90%時)

* リリースタイム = 入力を -56.0 dBu から -66.0 dBu へ切替えた時の復帰時間。(90%時)

表 2-17-5

| | INSERT OUT (1, 2) |
|--------------|----------------------|
| Attack time | 15 ms – 35 ms |
| Release time | 170 ms – 420 ms |

2-18 デジタルエフェクタ (MW8CX)

CH1, MASTER, DIGITAL EFFECT 部の各ボリュームを下記に従って設定してください。

- ・ CH INPUT (CH1)
 - EFFECT level control 最大
 - CH level control 最大

- ・ MASTER
 - STEREO level control 最大

- ・ DIGITAL EFFECT
 - DIGITAL EFFECT switch ON (lighting)
 - PROGRAM select switch PROGRAM 16
 - PARAMETER control 最小
 - EFFECT RTN level control 最大

- * その他のボリュームは最小または CENTER に設定し、スイッチ類はオフにしてください。
- * PAN コントロールは L または R に回しきってください。

CH1 の MIC 入力に -50.0 dBu の信号を入力します。
 この時、ST OUT L, R に得られる出力レベルは -10.0 dBu 以上であることを確認します。
 入力を 150 Ω でショートし、CH1 の EFFECT レベルコントロールと CH レベルコントロールを最小に設定します。
 この時、ST OUT L, R に得られるノイズレベルは -57.0 dBu 以下であることを確認します。
 * ノイズレベル測定時は、12.7 kHz -6 dB/octave ローパスフィルターを使用してください。

2-19 USB

2-19-1 録音

[表 2-19-1] の状態で USB 経由でパーソナルコンピュータへ録音します。(他の設定は、2-2 を参照)

表 2-19-1

| | INPUT | Input level | PAN control |
|---|----------|-------------|-------------|
| L | INSERT 1 | -20.0 dBu | L |
| R | | | R |

2-19-2 利得

録音したファイルを USB 経由で再生した時、MONITOR OUT L, R の出力レベルは [表 2-19-2] の範囲内であることを確認します。

表 2-19-2

| | MONITOR OUT L | MONITOR OUT R |
|---|--------------------|--------------------|
| L | +12.0 dBu ± 3.0 dB | — |
| R | — | +12.0 dBu ± 3.0 dB |

- * 2TR IN/USB レベルコントロールを最大に設定してください。
- * TO STEREO/TO MONITOR スイッチをオン (TO MONITOR) にしてください。
- * STEREO レベルコントロールを最小に設定してください。
- * パーソナルコンピュータの音量を最大に設定してください。

3. その他

各操作子を有効な状態に設定し、確認を行ってください。

3-1 エフェクトの検査 (MW8CX)

PROGRAM スイッチをプログラム 1, 6, 11, 16 に設定した時、各プログラムの効果があることを確認します。
各プログラムにおいて、PARAMETER コントロールを操作した時、変化があることを確認します。
PROGRAM スイッチを切り替えた時、異音がないことを確認します。

3-2 ファントム電源

MIC 入力の 1-2 ピン間に $10\text{ k}\Omega$ (1 W 以上) の抵抗を接続し、2-3 ピン間を短絡します。
PHANTOM スイッチをオンした時 (LED が点灯し)、1-2 ピン間に得られる電圧は +33.0 V ~ +37.0 V の範囲内であることを確認します。

4. 出荷設定

4-1 工場出荷時の設定

- ・ EQ gain control : CENTER
- ・ PAN (PAN/BAL, BAL) control : CENTER
- ・ Other VR control : 最小
- ・ FADER : 最小
- ・ Lock-PUSH switch : OFF
- ・ ON/STANDBY switch (rear) : STANDBY
- ・ PROGRAM select switch (MW8CX) : PROGRAM 1

USB MIXING STUDIO

MW8cx / MW10c

PARTS LIST


■ CONTENTS (目次)


| | |
|---------------------------------------|----|
| OVERALL ASSEMBLY (総組立) (MW8CX) | 2 |
| OVERALL ASSEMBLY (総組立) (MW10C)..... | 4 |
| ELECTRICAL PARTS (電気部品) (MW8CX) | 6 |
| ELECTRICAL PARTS (電気部品) (MW10C)..... | 22 |

Notes : DESTINATION ABBREVIATIONS

| | |
|--------------------------|---------------------------------|
| A : Australian model | M : South African model |
| B : British model | O : Chinese model |
| C : Canadian model | Q : South-east Asia model |
| D : German model | T : Taiwan model |
| E : European model | U : U.S.A. model |
| F : French model | V : General export model (110V) |
| H : North European model | W : General export model (220V) |
| I : Indonesian model | N,X: General export model |
| J : Japanese model | Y : Export model |
| K : Korean model | |

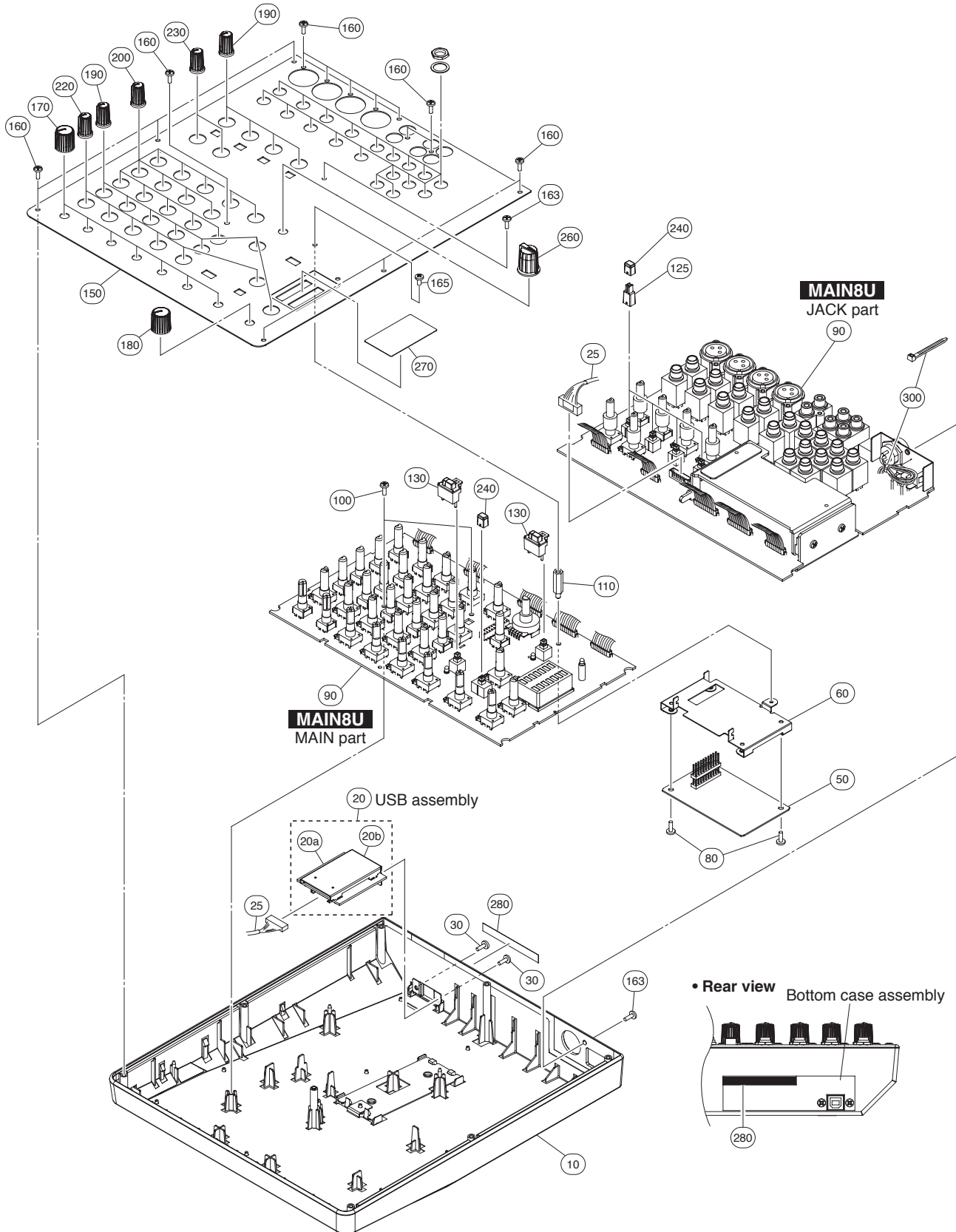
■ WARNING

Components having special characteristics are marked  and must be replaced with parts having specification equal to those originally installed.

 印の部品は、安全を維持するために重要な部品です。交換する場合は、安全のために必ず指定の部品をご使用ください。

- The numbers "QTY" show quantities for each unit.
- The parts with "--" in "PART NO." are not available as spare parts.
- This mark "}" in the REMARKS column means these parts are interchangeable.
- The second letter of the shaded (■) part number is O, not zero.
- The second letter of the shaded (■) part number is I, not one.
- 部品価格ランクは、変更になることがあります。
- QTY 欄に記されている数字は、各ユニット当たりの使用個数です。
- PART NO. が "--" の部品は、サービス用部品として準備されておりません。
- REMARKS 欄の 「}」 マークの部品は、併用部品です。
- 網掛けの付いた PART NO. の 2 番目の文字は「ゼロ」ではなく、「オー」です。
- 網掛けの付いた PART NO. の 2 番目の文字は「イチ」ではなく、「アイ」です。

OVERALL ASSEMBLY (総組立) (MW8CX)



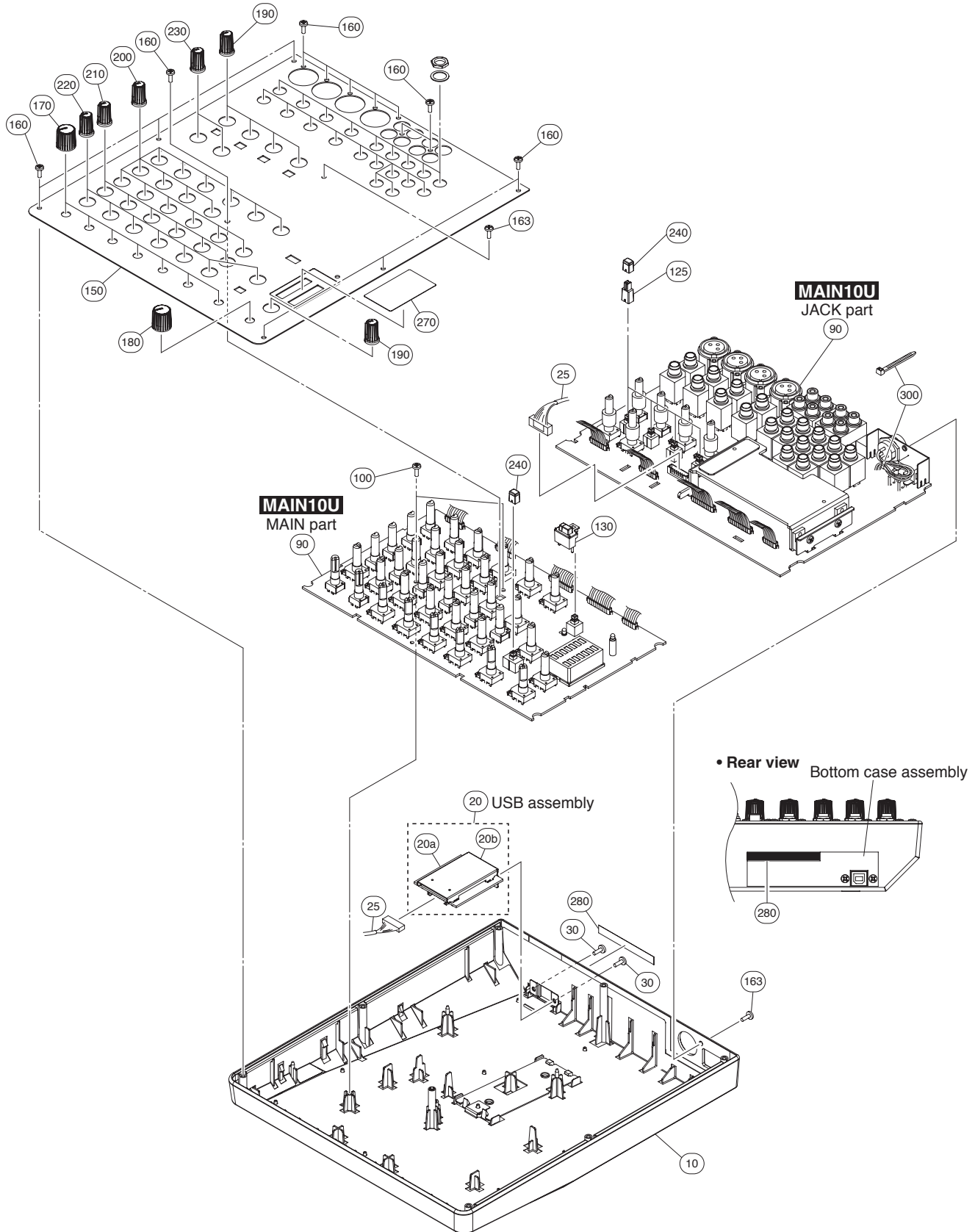
| REF NO. | PART NO. | DESCRIPTION | | 部 品 名 | REMARKS | QTY | RANK |
|---------|----------|---------------------------|----------------------|---------------------|---|-----|------|
| | | OVERALL ASSEMBLY | | 総 組 立 | MW8CX | | |
| | -- | Overall Assembly | | 総 組 立 | (WJ95010) | | |
| * 10 | WJ968800 | Bottom Case Assembly | | ボトムケース A s s ' y | | | 11 |
| 20 | -- | USB Assembly | | U S B A s s ' y | (WG64450) | | |
| * 20a | WG336000 | Circuit Board | USB | U S B シ ー ト | | | |
| 20b | -- | Shield USB | | シ ー ル ド U S B | (WG20810) | | |
| 25 | -- | Connector Assembly | USBMW10C C&C 9P 250L | U S B M W 1 0 C 束 線 | (WK17880) | | |
| 30 | WE774400 | Bind Head Tapping Screw-B | 3.0X8 MFZN2B3 | B タ イ ト + B I N D | | 2 | 01 |
| 50 | WH108400 | Circuit Board | DSP | D S P シ ー ト | | | 15 |
| 60 | -- | Shield DSP | | シ ー ル ド D S P | (WH10070) | | |
| 80 | WE774300 | Bind Head Tapping Screw-B | 3.0X8 MFZN2W3 | B タ イ ト + B I N D | | 2 | 01 |
| * 90 | WJ538500 | Circuit Board | MAIN8U | M A I N 8 U シ ー ト | | | |
| 100 | WE774300 | Bind Head Tapping Screw-B | 3.0X8 MFZN2W3 | B タ イ ト + B I N D | | 2 | 01 |
| 110 | WH362300 | Spacer | L16 | 6 角 ス ペ ー サ ー L 1 6 | | | |
| 125 | WD942200 | Knob Joint | HPF | ノ ブ 継 ぎ 手 H P F | | 4 | 01 |
| 130 | WF776700 | Push Button Milky/D-Gray | PFL | ボ タ ン P F L | ON,PHANTOM +48V/CH1-5/6 MIC | 2 | 01 |
| * 150 | WJ969200 | Top Cover | | ト ッ プ カ バ ー 印 刷 | | | |
| 160 | WE774400 | Bind Head Tapping Screw-B | 3.0X8 MFZN2B3 | B タ イ ト + B I N D | | 14 | 01 |
| 163 | WE774400 | Bind Head Tapping Screw-B | 3.0X8 MFZN2B3 | B タ イ ト + B I N D | | 2 | 01 |
| 165 | WE878300 | Bind Head Screw | 3.0X6 MFZN2B3 | 小 ネ ジ + B I N D | | | 01 |
| 170 | WH478900 | Level Knob White/M-Gray | | ノ ブ L E V E L | LEVEL CH1,2,3/4,5/6,7/8, EFFECT RTN,MONITOR/PHONES | 7 | |
| 180 | WH494100 | Level Knob Red/M-Gray | | ノ ブ L E V E L | LEVEL STEREO | | |
| 190 | WH466900 | Volume Knob White/M-Gray | | ノ ブ V R 小 | EFFECT,PARAMETER, MONITOR MIX,GAIN | 11 | 01 |
| 200 | WH493600 | Volume Knob Green/M-Gray | | ノ ブ V R 小 | HIGH,MID,LOW | 14 | |
| 220 | WH493800 | Volume Knob Red/M-Gray | | ノ ブ V R 小 | PAN,PAN/BAL,BAL,RETURN | 6 | |
| 230 | WH493900 | Volume Knob Yellow/M-Gray | | ノ ブ V R 小 | COMP | 2 | |
| 240 | WF776200 | Push Button D-Gray/White | HPF | ボ タ ン H P F | √80,TO STEREO/TO MONITOR | 5 | 01 |
| 260 | WD233000 | Select Knob Black | | ノ ブ S E L E C T 色 上 | PROGRAM | | 03 |
| 270 | WH407000 | Window Level | | ウ イ ン ド L E V E L 印 | | | |
| 280 | -- | Label | | ラ ベ ル メ イ バ ン | (WJ97050) | | |
| 300 | V3272800 | Cord Holder | T18R TYTIN CO. | イ ン シ ュ ロ ッ ク タイ | | 2 | |
| | | ACCESSORIES | | 付 属 品 | | | |
| | WC703400 | AC Adaptor | PA-10 J PSE | A C ア ダ プ タ ー | J | | 08 |
| | WC703500 | AC Adaptor | PA-10 U UL/CUL | A C ア ダ プ タ ー | U | | 08 |
| | WC703600 | AC Adaptor | PA-10 H TUV/CE | A C ア ダ プ タ ー | H | | 09 |
| | WC703900 | AC Adaptor | PA-10 A SAA | A C ア ダ プ タ ー | A | | 08 |
| | WC703700 | AC Adaptor | PA-10 B TUV/CE | A C ア ダ プ タ ー | B | | 09 |
| | WC703800 | AC Adaptor | PA-10 K EK | A C ア ダ プ タ ー | K | | 08 |
| | WC711000 | AC Adaptor | PA-10(CHN) CCC | A C ア ダ プ タ ー | O | | 09 |
| | V8100400 | USB Cable | 4P 1.5M USB(A-B) | U S B ケ ー ブ ル | | | 03 |
| | X8515A00 | DVD-ROM | | D V D - R O M | | | |



*: New Parts

RANK: Japan only

OVERALL ASSEMBLY (総組立) (MW10C)



| REF NO. | PART NO. | DESCRIPTION | 部 品 名 | REMARKS | QTY | RANK |
|---------|----------|---------------------------|-------------------------------------|---|-----|------|
| | -- | OVERALL ASSEMBLY | 総 組 立 | MW10C | | |
| | -- | Overall Assembly | 総 組 立 | (WJ95020) | | |
| * 10 | WJ968800 | Bottom Case Assembly | ボトムケース A s s ' y | | | |
| 20 | -- | USB Assembly | U S B A s s ' y | (WG64450) | | 11 |
| * 20a | WG336000 | Circuit Board | U S B シ ー ト | | | |
| 20b | -- | Shield USB | シ ー ル ド U S B | (WG20810) | | |
| 25 | -- | Connector Assembly | U S B M W 1 0 C 束 線 | (WK17880) | | |
| 30 | WE774400 | Bind Head Tapping Screw-B | B タ イ ト + B I N D | | 2 | 01 |
| * 90 | WH108500 | Circuit Board | M A I N 1 0 U シ ー ト | | | |
| 100 | WE774300 | Bind Head Tapping Screw-B | B タ イ ト + B I N D | | 2 | 01 |
| 125 | WD942200 | Knob Joint | HPF | | 4 | 01 |
| 130 | WF776700 | Push Button Milky/D-Gray | PFL | PHANTOM +48V/CH1-5/6 MIC | | 01 |
| * 150 | WJ969300 | Top Cover | ト ッ プ カ バ ー 印 刷 | | | |
| 160 | WE774400 | Bind Head Tapping Screw-B | B タ イ ト + B I N D | | 14 | 01 |
| 163 | WE774400 | Bind Head Tapping Screw-B | B タ イ ト + B I N D | | 2 | 01 |
| 170 | WH478900 | Level Knob White/M-Gray | ノ ブ レ ベ ル | LEVEL CH1,2,3/4,5/6,7/8,9/10, MONITOR/PHONES | 7 | |
| 180 | WH494100 | Level Knob Red/M-Gray | ノ ブ レ ベ ル | LEVEL STEREO | | |
| 190 | WH466900 | Volume Knob White/M-Gray | ノ ブ V R 小 | GAIN,MONITOR MIX | 5 | 01 |
| 200 | WH493600 | Volume Knob Green/M-Gray | ノ ブ V R 小 | HIGH,MID,LOW | 16 | |
| 210 | WH493700 | Volume Knob Blue/M-Gray | ノ ブ V R 小 | AUX | 6 | |
| 220 | WH493800 | Volume Knob Red/M-Gray | ノ ブ V R 小 | PAN,PAN/BAL,BAL,RETURN | 7 | |
| 230 | WH493900 | Volume Knob Yellow/M-Gray | ノ ブ V R 小 | COMP | 2 | |
| 240 | WF776200 | Push Button D-Gray/White | HPF | ボ タ ン H P F | 5 | 01 |
| 270 | WH407000 | Window Level | ウ イ ン ド レ ベ ル 印 | 80, TO STEREO/TO MONITOR | | |
| 280 | -- | Label | ラ ベ ル メ イ バ ン | (WJ97060) | | |
| 300 | V3272800 | Cord Holder | T18R TYTIN CO. イ ン シ ュ ロ ッ ク タ イ | | 2 | |
| | | ACCESSORIES | 付 属 品 | | | |
| | WC703400 | AC Adaptor | PA-10 J PSE | A C ア ダ プ タ ー J | | 08 |
| | WC703500 | AC Adaptor | PA-10 U UL/CUL | A C ア ダ プ タ ー U | | 08 |
| | WC703600 | AC Adaptor | PA-10 H TUV/CE | A C ア ダ プ タ ー H | | 09 |
| | WC703900 | AC Adaptor | PA-10 A SAA | A C ア ダ プ タ ー A | | 08 |
| | WC703700 | AC Adaptor | PA-10 B TUV/CE | A C ア ダ プ タ ー B | | 09 |
| | WC703800 | AC Adaptor | PA-10 K EK | A C ア ダ プ タ ー K | | 08 |
| | WC711000 | AC Adaptor | PA-10(CHN) CCC | A C ア ダ プ タ ー O | | 09 |
| | V8100400 | USB Cable | 4P 1.5M USB(A-B) | U S B ケ ー ブ ル | | 03 |
| | X8515A00 | DVD-ROM | D V D - R O M | | | |



*: New Parts

RANK: Japan only

ELECTRICAL PARTS (電気部品) (MW8CX)

DSP

| REF NO. | PART NO. | DESCRIPTION | | 部 品 名 | REMARKS | QTY | RANK |
|---------|----------|----------------------------|--------------------|-------------------|--------------------|-----------------|------|
| | | ELECTRICAL PARTS | | 電 気 部 品 | MW8CX | | |
| * | WH108400 | Circuit Board | DSP | D S P シ ー ト | (WH10870)(X7687D0) | | 15 |
| * | WJ538500 | Circuit Board | MAIN8U | M A I N 8 U シ ー ト | (X7686D0) | | |
| | WG336000 | Circuit Board | USB | U S B シ ー ト | (WG33610)(X7196C0) | | |
| | WH108400 | Circuit Board | DSP | D S P シ ー ト | (WH10870)(X7687D0) | | 15 |
| CM01 | US064100 | Ceramic Capacitor-B (chip) | 0.0100 50V K RECT. | チ ッ プ セ ラ (B) | | | 01 |
| CM04 | US064100 | Ceramic Capacitor-B (chip) | 0.0100 50V K RECT. | チ ッ プ セ ラ (B) | | | 01 |
| -07 | US064100 | Ceramic Capacitor-B (chip) | 0.0100 50V K RECT. | チ ッ プ セ ラ (B) | | | 01 |
| CM08 | UF037100 | Electrolytic Cap. (chip) | 10 16V | チ ッ プ ケ ミ コ ン | | | 01 |
| CM09 | UF028100 | Electrolytic Cap. (chip) | 100 10V | チ ッ プ ケ ミ コ ン | | | 01 |
| CM11 | US035100 | Ceramic Capacitor-B (chip) | 0.1000 16V K RECT. | チ ッ プ セ ラ (B) | | | 01 |
| -13 | US035100 | Ceramic Capacitor-B (chip) | 0.1000 16V K RECT. | チ ッ プ セ ラ (B) | | | 01 |
| CM14 | UF066220 | Electrolytic Cap. (chip) | 2.2 50V UWX1H2 | チ ッ プ ケ ミ コ ン | | | 01 |
| CM15 | UF037100 | Electrolytic Cap. (chip) | 10 16V | チ ッ プ ケ ミ コ ン | | | 01 |
| CM16 | UF037100 | Electrolytic Cap. (chip) | 10 16V | チ ッ プ ケ ミ コ ン | | | 01 |
| CM17 | US035100 | Ceramic Capacitor-B (chip) | 0.1000 16V K RECT. | チ ッ プ セ ラ (B) | | | 01 |
| -20 | US035100 | Ceramic Capacitor-B (chip) | 0.1000 16V K RECT. | チ ッ プ セ ラ (B) | | | 01 |
| CM21 | US062100 | Ceramic Capacitor-SL(chip) | 100P 50V J RECT. | チ ッ プ セ ラ (S L) | | | 01 |
| CM24 | UF028100 | Electrolytic Cap. (chip) | 100 10V | チ ッ プ ケ ミ コ ン | | | 01 |
| CM25 | UF028100 | Electrolytic Cap. (chip) | 100 10V | チ ッ プ ケ ミ コ ン | | | 01 |
| CM26 | US063470 | Ceramic Capacitor-B (chip) | 4700P 50V K RECT. | チ ッ プ セ ラ (B) | | | 01 |
| CM27 | US062220 | Ceramic Capacitor-SL(chip) | 220P 50V J RECT. | チ ッ プ セ ラ (S L) | | | 01 |
| CM28 | UF028100 | Electrolytic Cap. (chip) | 100 10V | チ ッ プ ケ ミ コ ン | | | 01 |
| CM29 | US035100 | Ceramic Capacitor-B (chip) | 0.1000 16V K RECT. | チ ッ プ セ ラ (B) | | | 01 |
| CM31 | US035100 | Ceramic Capacitor-B (chip) | 0.1000 16V K RECT. | チ ッ プ セ ラ (B) | | | 01 |
| CM32 | US035100 | Ceramic Capacitor-B (chip) | 0.1000 16V K RECT. | チ ッ プ セ ラ (B) | | | 01 |
| CM34 | UF037100 | Electrolytic Cap. (chip) | 10 16V | チ ッ プ ケ ミ コ ン | | | 01 |
| CM35 | US035100 | Ceramic Capacitor-B (chip) | 0.1000 16V K RECT. | チ ッ プ セ ラ (B) | | | 01 |
| CM36 | US035100 | Ceramic Capacitor-B (chip) | 0.1000 16V K RECT. | チ ッ プ セ ラ (B) | | | 01 |
| CM37 | UF037100 | Electrolytic Cap. (chip) | 10 16V | チ ッ プ ケ ミ コ ン | | | 01 |
| CM38 | US035100 | Ceramic Capacitor-B (chip) | 0.1000 16V K RECT. | チ ッ プ セ ラ (B) | | | 01 |
| CM40 | US035100 | Ceramic Capacitor-B (chip) | 0.1000 16V K RECT. | チ ッ プ セ ラ (B) | | | 01 |
| -42 | US035100 | Ceramic Capacitor-B (chip) | 0.1000 16V K RECT. | チ ッ プ セ ラ (B) | | | 01 |
| CM43 | UF037100 | Electrolytic Cap. (chip) | 10 16V | チ ッ プ ケ ミ コ ン | | | 01 |
| CM45 | UF037100 | Electrolytic Cap. (chip) | 10 16V | チ ッ プ ケ ミ コ ン | | | 01 |
| CM47 | UF037100 | Electrolytic Cap. (chip) | 10 16V | チ ッ プ ケ ミ コ ン | | | 01 |
| CM48 | UF037100 | Electrolytic Cap. (chip) | 10 16V | チ ッ プ ケ ミ コ ン | | | 01 |
| CM50 | US063150 | Ceramic Capacitor-B (chip) | 1500P 50V K RECT. | チ ッ プ セ ラ (B) | | | 01 |
| CM51 | US063150 | Ceramic Capacitor-B (chip) | 1500P 50V K RECT. | チ ッ プ セ ラ (B) | | | 01 |
| CM53 | US064100 | Ceramic Capacitor-B (chip) | 0.0100 50V K RECT. | チ ッ プ セ ラ (B) | | | 01 |
| CM54 | US035100 | Ceramic Capacitor-B (chip) | 0.1000 16V K RECT. | チ ッ プ セ ラ (B) | | | 01 |
| CM55 | US035100 | Ceramic Capacitor-B (chip) | 0.1000 16V K RECT. | チ ッ プ セ ラ (B) | | | 01 |
| CM56 | US062120 | Ceramic Capacitor-SL(chip) | 120P 50V J RECT. | チ ッ プ セ ラ (S L) | | | 01 |
| CM57 | US062120 | Ceramic Capacitor-SL(chip) | 120P 50V J RECT. | チ ッ プ セ ラ (S L) | | | 01 |
| CM58 | US035100 | Ceramic Capacitor-B (chip) | 0.1000 16V K RECT. | チ ッ プ セ ラ (B) | | | 01 |
| CM60 | US064100 | Ceramic Capacitor-B (chip) | 0.0100 50V K RECT. | チ ッ プ セ ラ (B) | | | 01 |
| CM62 | UF037470 | Electrolytic Cap. (chip) | 47 16V | チ ッ プ ケ ミ コ ン | | | 01 |
| CM63 | UF037470 | Electrolytic Cap. (chip) | 47 16V | チ ッ プ ケ ミ コ ン | | | 01 |
| CM70 | US035100 | Ceramic Capacitor-B (chip) | 0.1000 16V K RECT. | チ ッ プ セ ラ (B) | | | 01 |
| CM73 | US035100 | Ceramic Capacitor-B (chip) | 0.1000 16V K RECT. | チ ッ プ セ ラ (B) | | | 01 |
| CM74 | US064100 | Ceramic Capacitor-B (chip) | 0.0100 50V K RECT. | チ ッ プ セ ラ (B) | | | 01 |
| CM75 | US062100 | Ceramic Capacitor-SL(chip) | 100P 50V J RECT. | チ ッ プ セ ラ (S L) | | | 01 |
| CM76 | US062470 | Ceramic Capacitor-SL(chip) | 470P 50V J RECT. | チ ッ プ セ ラ (S L) | | | 01 |
| CM79 | US064100 | Ceramic Capacitor-B (chip) | 0.0100 50V K RECT. | チ ッ プ セ ラ (B) | | | 01 |
| -81 | US064100 | Ceramic Capacitor-B (chip) | 0.0100 50V K RECT. | チ ッ プ セ ラ (B) | | | 01 |
| CM82 | US035100 | Ceramic Capacitor-B (chip) | 0.1000 16V K RECT. | チ ッ プ セ ラ (B) | | | 01 |
| CM83 | US035100 | Ceramic Capacitor-B (chip) | 0.1000 16V K RECT. | チ ッ プ セ ラ (B) | | | 01 |
| CM85 | US035100 | Ceramic Capacitor-B (chip) | 0.1000 16V K RECT. | チ ッ プ セ ラ (B) | | | 01 |
| CM91 | US064100 | Ceramic Capacitor-B (chip) | 0.0100 50V K RECT. | チ ッ プ セ ラ (B) | | | 01 |
| CM92 | US064100 | Ceramic Capacitor-B (chip) | 0.0100 50V K RECT. | チ ッ プ セ ラ (B) | | | 01 |
| CNM02 | WD961800 | Pin Header | GPHA202 20P TE | ピ ン ヘ ッ ダ ー | | | |
| EMM01 | VZ581100 | EMI Filter (chip) | 31PT222Z1E9L TP | チ ッ プ エ ミ フ ィ ル | | | 01 |
| ICM03 | X0165A00 | IC | PST596DNR | I | C | SYSTEM RESET | 02 |
| ICM04 | X5219A00 | IC | AK5381VT-E2 | I | C | ADC | 05 |
| ICM06 | XZ642A00 | IC | TAR5S33(TE85L,F) | I | C | REGULATOR +3.3V | 01 |
| ICM07 | X6055A00 | IC | YMW767-VTZ | I | C | CPU (SWL01B) | 10 |
| ICM08 | X3538A00 | IC | PCM1742KE/2KG4 | I | C | DAC | 05 |
| ICM09 | X7378A00 | IC | NJM4565M(TE1) | I | C | OP AMP | 01 |
| ICM10 | X5922A00 | IC | MX23L8103TC-90G CP | I | C | MASK ROM 8M | 06 |

*: New Parts

RANK: Japan only

DSP and MAIN8U

| REF NO. | PART NO. | DESCRIPTION | | 部 品 名 | REMARKS | QTY | RANK |
|---------|----------|---------------------------|--------------------|------------|-----------------|-----|------|
| ICM11 | X7378A00 | IC | NJM4565M(TE1) | IC | OP AMP | | 01 |
| ICM12 | X8138A00 | IC | TAR5S25U(TE85L,F) | IC | REGULATOR +2.5V | | |
| JMM02 | RD350000 | Carbon Resistor (chip) | 0 63M J RECT. | チップ抵抗 | | | 01 |
| -04 | RD350000 | Carbon Resistor (chip) | 0 63M J RECT. | チップ抵抗 | | | 01 |
| LM03 | VY657200 | Chip Inductance | 600 BK1608HM601-T | チップインダクタ | | | 01 |
| LM04 | VY657200 | Chip Inductance | 600 BK1608HM601-T | チップインダクタ | | | 01 |
| QM01 | VV655400 | Digital Transistor | DTC114EKA TP | デジタルトランジスタ | | | 01 |
| QM02 | VV655000 | Digital Transistor | DTA114EKA TP | デジタルトランジスタ | | | 01 |
| QM04 | VD303700 | Transistor | 2SC3326-A,B(TE) | トランジスタ | | | 01 |
| QM05 | VD303700 | Transistor | 2SC3326-A,B(TE) | トランジスタ | | | 01 |
| RM01 | RD357100 | Carbon Resistor (chip) | 10.0K 63M J RECT. | チップ抵抗 | | | 01 |
| RM03 | RD356100 | Carbon Resistor (chip) | 1.0K 63M J RECT. | チップ抵抗 | | | 01 |
| RM04 | RD355100 | Carbon Resistor (chip) | 100.0 63M J RECT. | チップ抵抗 | | | 01 |
| RM05 | RD356100 | Carbon Resistor (chip) | 1.0K 63M J RECT. | チップ抵抗 | | | 01 |
| -08 | RD356100 | Carbon Resistor (chip) | 1.0K 63M J RECT. | チップ抵抗 | | | 01 |
| RM13 | RD357100 | Carbon Resistor (chip) | 10.0K 63M J RECT. | チップ抵抗 | | | 01 |
| RM14 | RD355100 | Carbon Resistor (chip) | 100.0 63M J RECT. | チップ抵抗 | | | 01 |
| RM17 | RD357100 | Carbon Resistor (chip) | 10.0K 63M J RECT. | チップ抵抗 | | | 01 |
| -20 | RD357100 | Carbon Resistor (chip) | 10.0K 63M J RECT. | チップ抵抗 | | | 01 |
| RM21 | RD356470 | Carbon Resistor (chip) | 4.7K 63M J RECT. | チップ抵抗 | | | 01 |
| RM22 | RD356100 | Carbon Resistor (chip) | 1.0K 63M J RECT. | チップ抵抗 | | | 01 |
| RM23 | RD355470 | Carbon Resistor (chip) | 470.0 63M J RECT. | チップ抵抗 | | | 01 |
| RM24 | RD356100 | Carbon Resistor (chip) | 1.0K 63M J RECT. | チップ抵抗 | | | 01 |
| RM25 | RD358220 | Carbon Resistor (chip) | 220.0K 63M J RECT. | チップ抵抗 | | | 01 |
| RM28 | RD356560 | Carbon Resistor (chip) | 5.6K 63M J RECT. | チップ抵抗 | | | 01 |
| RM33 | RD356100 | Carbon Resistor (chip) | 1.0K 63M J RECT. | チップ抵抗 | | | 01 |
| -35 | RD356100 | Carbon Resistor (chip) | 1.0K 63M J RECT. | チップ抵抗 | | | 01 |
| RM36 | RD355330 | Carbon Resistor (chip) | 330.0 63M J RECT. | チップ抵抗 | | | 01 |
| RM37 | RD356100 | Carbon Resistor (chip) | 1.0K 63M J RECT. | チップ抵抗 | | | 01 |
| RM38 | RD356560 | Carbon Resistor (chip) | 5.6K 63M J RECT. | チップ抵抗 | | | 01 |
| -41 | RD356560 | Carbon Resistor (chip) | 5.6K 63M J RECT. | チップ抵抗 | | | 01 |
| RM42 | RD357390 | Carbon Resistor (chip) | 39.0K 63M J RECT. | チップ抵抗 | | | 01 |
| RM43 | RD357390 | Carbon Resistor (chip) | 39.0K 63M J RECT. | チップ抵抗 | | | 01 |
| RM60 | RD357100 | Carbon Resistor (chip) | 10.0K 63M J RECT. | チップ抵抗 | | | 01 |
| RM61 | RD357100 | Carbon Resistor (chip) | 10.0K 63M J RECT. | チップ抵抗 | | | 01 |
| RM62 | RD356100 | Carbon Resistor (chip) | 1.0K 63M J RECT. | チップ抵抗 | | | 01 |
| RM63 | RD356100 | Carbon Resistor (chip) | 1.0K 63M J RECT. | チップ抵抗 | | | 01 |
| RM64 | RD358100 | Carbon Resistor (chip) | 100.0K 63M J RECT. | チップ抵抗 | | | 01 |
| RM65 | RD358100 | Carbon Resistor (chip) | 100.0K 63M J RECT. | チップ抵抗 | | | 01 |
| RM80 | RD357100 | Carbon Resistor (chip) | 10.0K 63M J RECT. | チップ抵抗 | | | 01 |
| RM81 | RD356100 | Carbon Resistor (chip) | 1.0K 63M J RECT. | チップ抵抗 | | | 01 |
| RM82 | RD357390 | Carbon Resistor (chip) | 39.0K 63M J RECT. | チップ抵抗 | | | 01 |
| RM83 | RD356560 | Carbon Resistor (chip) | 5.6K 63M J RECT. | チップ抵抗 | | | 01 |
| RM84 | RF357390 | Carbon Resistor (chip) | 39.0K D 1608 | チップ抵抗 | | | 01 |
| RM85 | RF357220 | Carbon Resistor (chip) | 22.0K D 1608 | チップ抵抗 | | | 01 |
| RM86 | RD357100 | Carbon Resistor (chip) | 10.0K 63M J RECT. | チップ抵抗 | | | 01 |
| RM88 | RD357100 | Carbon Resistor (chip) | 10.0K 63M J RECT. | チップ抵抗 | | | 01 |
| -92 | RD357100 | Carbon Resistor (chip) | 10.0K 63M J RECT. | チップ抵抗 | | | 01 |
| RMA2 | RD357100 | Carbon Resistor (chip) | 10.0K 63M J RECT. | チップ抵抗 | | | 01 |
| RMA3 | RD357100 | Carbon Resistor (chip) | 10.0K 63M J RECT. | チップ抵抗 | | | 01 |
| RMA4 | RF356180 | Carbon Resistor (chip) | 1.8K D 1608 | チップ抵抗 | | | 01 |
| XM01 | WA321100 | Ceramic Resonator | 16.934M | セラミック振動子 | | | 02 |
| * | WJ538500 | Circuit Board | MAIN8U | MAIN8Uシート | (X7686D0) | | |
| 50 | -- | Silicon Grease | G-746 | シリコングリス | (0412125) | | |
| 70 | -- | Jumper Wire | 0.55 TIN | ジャンパー線 | (VA07890) | | |
| 80 | -- | Heat Sink | 8 | ヒートシンク8 | (WK39650) | | |
| 85 | -- | Tape | | 切り粉よけテープ | (WJ15250) | | |
| 100 | WE987400 | Bind Head Tapping Screw-B | 3.0X12 MFZN2W3 | Bタイト+BIND | | 2 | 01 |
| 120 | WF765800 | Spacer | LED3 | スペーサLED3 | | 5 | |
| 130 | -- | Jumper Wire | SMV2J P=2.0 9-50 | ジャンパーリード | (WH52570) | | |
| 140 | -- | Jumper Wire | SMV2J P=2.0 8-50 | ジャンパーリード | (WH51450) | | |
| 150 | -- | Jumper Wire | SMV2J P=2.0 11-50 | ジャンパーリード | (WH51460) | | |
| 160 | -- | Sub Heat Sink | 8 | サブヒートシンク8 | (WH62770) | | |
| 200 | -- | Connector Assembly | AC | AC束線 | (WH54770) | | |
| 200a | V7396500 | Power Switch | SDDJE30200 | スイッチSW | POWER SWITCH | | |
| 300 | WH362000 | Knob Joint | VRS | ノブ継ぎ手VRS | | 6 | |
| C01 | WF305700 | Ceramic Capacitor-E | 4700P 1KV Z RX TP | セラコン(E) | | | |
| C02 | WF305700 | Ceramic Capacitor-E | 4700P 1KV Z RX TP | セラコン(E) | | | |
| C03 | UR659100 | Electrolytic Cap. | 1000 35.0V RX ST | ケミコン | | | 01 |

*: New Parts

RANK: Japan only

MAIN8U

| REF NO. | PART NO. | DESCRIPTION | | 部 品 名 | REMARKS | QTY | RANK |
|---------|----------|----------------------------|--------------------|-------------------|---------|-----|------|
| -06 | UR659100 | Electrolytic Cap. | 1000 35.0V RX ST | ケ ミ コ ン | | | 01 |
| C07 | US065100 | Ceramic Capacitor-F (chip) | 0.100 50V Z RECT. | チ ッ プ セ ラ F | | | |
| -09 | US065100 | Ceramic Capacitor-F (chip) | 0.100 50V Z RECT. | チ ッ プ セ ラ F | | | |
| C10 | UR857470 | Electrolytic Cap. | 47.00 35.0V RX TP | ケ ミ コ ン | | | 01 |
| C11 | US065100 | Ceramic Capacitor-F (chip) | 0.100 50V Z RECT. | チ ッ プ セ ラ F | | | |
| C13 | UR857470 | Electrolytic Cap. | 47.00 35.0V RX TP | ケ ミ コ ン | | | 01 |
| C14 | UR857470 | Electrolytic Cap. | 47.00 35.0V RX TP | ケ ミ コ ン | | | 01 |
| C18 | UR867100 | Electrolytic Cap. | 10.00 50.0V RX TP | ケ ミ コ ン | | | 01 |
| C51 | UR897470 | Electrolytic Cap. | 47.0 100.0V RX TP | ケ ミ コ ン | | | 01 |
| C52 | UR897470 | Electrolytic Cap. | 47.0 100.0V RX TP | ケ ミ コ ン | | | 01 |
| C53 | UR896470 | Electrolytic Cap. | 4.7 100.0V RX TP | ケ ミ コ ン | | | 01 |
| C54 | US065100 | Ceramic Capacitor-F (chip) | 0.100 50V Z RECT. | チ ッ プ セ ラ F | | | |
| C55 | US065100 | Ceramic Capacitor-F (chip) | 0.100 50V Z RECT. | チ ッ プ セ ラ F | | | |
| C56 | UR877100 | Electrolytic Cap. | 10.00 63.0V RX TP | ケ ミ コ ン | | | 01 |
| C101 | UR877100 | Electrolytic Cap. | 10.00 63.0V RX TP | ケ ミ コ ン | | | 01 |
| C102 | WH167700 | Electrolytic Cap. | 10.00 50.0V TATETP | ケ ミ コ ン | | | |
| C103 | WH167700 | Electrolytic Cap. | 10.00 50.0V TATETP | ケ ミ コ ン | | | |
| C104 | UR867100 | Electrolytic Cap. | 10.00 50.0V RX TP | ケ ミ コ ン | | | 01 |
| C105 | UR867100 | Electrolytic Cap. | 10.00 50.0V RX TP | ケ ミ コ ン | | | 01 |
| C106 | US062470 | Ceramic Capacitor-SL(chip) | 470P 50V J RECT. | チ ッ プ セ ラ (S L) | | | 01 |
| -108 | US062470 | Ceramic Capacitor-SL(chip) | 470P 50V J RECT. | チ ッ プ セ ラ (S L) | | | 01 |
| C109 | UR828470 | Electrolytic Cap. | 470.00 10.0V RX TP | ケ ミ コ ン | | | 01 |
| C110 | US062470 | Ceramic Capacitor-SL(chip) | 470P 50V J RECT. | チ ッ プ セ ラ (S L) | | | 01 |
| C111 | US061330 | Ceramic Capacitor-CH(chip) | 33P 50V J RECT. | チ ッ プ セ ラ (C H) | | | 01 |
| C112 | US062100 | Ceramic Capacitor-SL(chip) | 100P 50V J RECT. | チ ッ プ セ ラ (S L) | | | 01 |
| C113 | US061330 | Ceramic Capacitor-CH(chip) | 33P 50V J RECT. | チ ッ プ セ ラ (C H) | | | 01 |
| C114 | UR867100 | Electrolytic Cap. | 10.00 50.0V RX TP | ケ ミ コ ン | | | 01 |
| C115 | UA654820 | Mylar Capacitor | 0.0820 50V J RX TP | マ イ ラ - コ ン | | | 01 |
| C116 | UA654820 | Mylar Capacitor | 0.0820 50V J RX TP | マ イ ラ - コ ン | | | 01 |
| C117 | US062100 | Ceramic Capacitor-SL(chip) | 100P 50V J RECT. | チ ッ プ セ ラ (S L) | | | 01 |
| C118 | UR867100 | Electrolytic Cap. | 10.00 50.0V RX TP | ケ ミ コ ン | | | 01 |
| C119 | UR857470 | Electrolytic Cap. | 47.00 35.0V RX TP | ケ ミ コ ン | | | 01 |
| C120 | UR857470 | Electrolytic Cap. | 47.00 35.0V RX TP | ケ ミ コ ン | | | 01 |
| C121 | US062100 | Ceramic Capacitor-SL(chip) | 100P 50V J RECT. | チ ッ プ セ ラ (S L) | | | 01 |
| C122 | US061220 | Ceramic Capacitor-CH(chip) | 22P 50V J RECT. | チ ッ プ セ ラ (C H) | | | 01 |
| C123 | UR857470 | Electrolytic Cap. | 47.00 35.0V RX TP | ケ ミ コ ン | | | 01 |
| C125 | US061680 | Ceramic Capacitor-SL(chip) | 68P 50V J RECT. | チ ッ プ セ ラ (S L) | | | 01 |
| C126 | UR838100 | Electrolytic Cap. | 100.00 16.0V RX TP | ケ ミ コ ン | | | 01 |
| C127 | US064100 | Ceramic Capacitor-B (chip) | 0.0100 50V K RECT. | チ ッ プ セ ラ (B) | | | 01 |
| C128 | US064100 | Ceramic Capacitor-B (chip) | 0.0100 50V K RECT. | チ ッ プ セ ラ (B) | | | 01 |
| C129 | UR838100 | Electrolytic Cap. | 100.00 16.0V RX TP | ケ ミ コ ン | | | 01 |
| C130 | US064100 | Ceramic Capacitor-B (chip) | 0.0100 50V K RECT. | チ ッ プ セ ラ (B) | | | 01 |
| -137 | US064100 | Ceramic Capacitor-B (chip) | 0.0100 50V K RECT. | チ ッ プ セ ラ (B) | | | 01 |
| C138 | US062470 | Ceramic Capacitor-SL(chip) | 470P 50V J RECT. | チ ッ プ セ ラ (S L) | | | 01 |
| C139 | US062470 | Ceramic Capacitor-SL(chip) | 470P 50V J RECT. | チ ッ プ セ ラ (S L) | | | 01 |
| C151 | UR867100 | Electrolytic Cap. | 10.00 50.0V RX TP | ケ ミ コ ン | | | 01 |
| C152 | UA654150 | Mylar Capacitor | 0.0150 50V J RX TP | マ イ ラ - コ ン | | | 01 |
| C153 | UA654100 | Mylar Capacitor | 0.0100 50V J RX TP | マ イ ラ - コ ン | | | 01 |
| C154 | UA654120 | Mylar Capacitor | 0.0120 50V J RX TP | マ イ ラ - コ ン | | | 01 |
| C155 | UA653390 | Mylar Capacitor | 3900P 50V J RX TP | マ イ ラ - コ ン | | | 01 |
| C156 | US061330 | Ceramic Capacitor-CH(chip) | 33P 50V J RECT. | チ ッ プ セ ラ (C H) | | | 01 |
| C157 | US062100 | Ceramic Capacitor-SL(chip) | 100P 50V J RECT. | チ ッ プ セ ラ (S L) | | | 01 |
| C158 | UR857470 | Electrolytic Cap. | 47.00 35.0V RX TP | ケ ミ コ ン | | | 01 |
| C161 | US034470 | Ceramic Capacitor-B (chip) | 0.0470 16V K RECT. | チ ッ プ セ ラ (B) | | | 01 |
| C162 | UR867100 | Electrolytic Cap. | 10.00 50.0V RX TP | ケ ミ コ ン | | | 01 |
| C163 | US062100 | Ceramic Capacitor-SL(chip) | 100P 50V J RECT. | チ ッ プ セ ラ (S L) | | | 01 |
| C164 | US062100 | Ceramic Capacitor-SL(chip) | 100P 50V J RECT. | チ ッ プ セ ラ (S L) | | | 01 |
| C165 | US061470 | Ceramic Capacitor-CH(chip) | 47P 50V J RECT. | チ ッ プ セ ラ (C H) | | | 01 |
| C166 | UR857470 | Electrolytic Cap. | 47.00 35.0V RX TP | ケ ミ コ ン | | | 01 |
| C167 | US064100 | Ceramic Capacitor-B (chip) | 0.0100 50V K RECT. | チ ッ プ セ ラ (B) | | | 01 |
| -170 | US064100 | Ceramic Capacitor-B (chip) | 0.0100 50V K RECT. | チ ッ プ セ ラ (B) | | | 01 |
| C201 | WH167700 | Electrolytic Cap. | 10.00 50.0V TATETP | ケ ミ コ ン | | | |
| C202 | WH167700 | Electrolytic Cap. | 10.00 50.0V TATETP | ケ ミ コ ン | | | |
| C203 | UR867100 | Electrolytic Cap. | 10.00 50.0V RX TP | ケ ミ コ ン | | | 01 |
| C204 | UR867100 | Electrolytic Cap. | 10.00 50.0V RX TP | ケ ミ コ ン | | | 01 |
| C205 | US062470 | Ceramic Capacitor-SL(chip) | 470P 50V J RECT. | チ ッ プ セ ラ (S L) | | | 01 |
| -207 | US062470 | Ceramic Capacitor-SL(chip) | 470P 50V J RECT. | チ ッ プ セ ラ (S L) | | | 01 |
| C208 | UR828470 | Electrolytic Cap. | 470.00 10.0V RX TP | ケ ミ コ ン | | | 01 |
| C209 | US062470 | Ceramic Capacitor-SL(chip) | 470P 50V J RECT. | チ ッ プ セ ラ (S L) | | | 01 |
| C210 | US061330 | Ceramic Capacitor-CH(chip) | 33P 50V J RECT. | チ ッ プ セ ラ (C H) | | | 01 |

*: New Parts

RANK: Japan only

MAIN8U

| REF NO. | PART NO. | DESCRIPTION | 部 品 名 | REMARKS | QTY | RANK |
|---------|----------|----------------------------|--------------------|-------------------|-----|------|
| C211 | US062100 | Ceramic Capacitor-SL(chip) | 100P 50V J RECT. | チ ッ プ セ ラ (S L) | | 01 |
| C212 | US061330 | Ceramic Capacitor-CH(chip) | 33P 50V J RECT. | チ ッ プ セ ラ (C H) | | 01 |
| C213 | UR867100 | Electrolytic Cap. | 10.00 50.0V RX TP | ケ ミ コ ン | | 01 |
| C214 | UA654820 | Mylar Capacitor | 0.0820 50V J RX TP | マ イ ラ ー コ ン | | 01 |
| C215 | UA654820 | Mylar Capacitor | 0.0820 50V J RX TP | マ イ ラ ー コ ン | | 01 |
| C216 | US062100 | Ceramic Capacitor-SL(chip) | 100P 50V J RECT. | チ ッ プ セ ラ (S L) | | 01 |
| C217 | UR867100 | Electrolytic Cap. | 10.00 50.0V RX TP | ケ ミ コ ン | | 01 |
| C218 | UR857470 | Electrolytic Cap. | 47.00 35.0V RX TP | ケ ミ コ ン | | 01 |
| C219 | UR857470 | Electrolytic Cap. | 47.00 35.0V RX TP | ケ ミ コ ン | | 01 |
| C220 | US062100 | Ceramic Capacitor-SL(chip) | 100P 50V J RECT. | チ ッ プ セ ラ (S L) | | 01 |
| C221 | US061220 | Ceramic Capacitor-CH(chip) | 22P 50V J RECT. | チ ッ プ セ ラ (C H) | | 01 |
| C222 | UR857470 | Electrolytic Cap. | 47.00 35.0V RX TP | ケ ミ コ ン | | 01 |
| C224 | US061680 | Ceramic Capacitor-SL(chip) | 68P 50V J RECT. | チ ッ プ セ ラ (S L) | | 01 |
| C225 | US062470 | Ceramic Capacitor-SL(chip) | 470P 50V J RECT. | チ ッ プ セ ラ (S L) | | 01 |
| C226 | US062470 | Ceramic Capacitor-SL(chip) | 470P 50V J RECT. | チ ッ プ セ ラ (S L) | | 01 |
| C251 | UR867100 | Electrolytic Cap. | 10.00 50.0V RX TP | ケ ミ コ ン | | 01 |
| C252 | UA654150 | Mylar Capacitor | 0.0150 50V J RX TP | マ イ ラ ー コ ン | | 01 |
| C253 | UA654100 | Mylar Capacitor | 0.0100 50V J RX TP | マ イ ラ ー コ ン | | 01 |
| C254 | UA654120 | Mylar Capacitor | 0.0120 50V J RX TP | マ イ ラ ー コ ン | | 01 |
| C255 | UA653390 | Mylar Capacitor | 3900P 50V J RX TP | マ イ ラ ー コ ン | | 01 |
| C256 | US061330 | Ceramic Capacitor-CH(chip) | 33P 50V J RECT. | チ ッ プ セ ラ (C H) | | 01 |
| C257 | US062100 | Ceramic Capacitor-SL(chip) | 100P 50V J RECT. | チ ッ プ セ ラ (S L) | | 01 |
| C258 | UR857470 | Electrolytic Cap. | 47.00 35.0V RX TP | ケ ミ コ ン | | 01 |
| C261 | US034470 | Ceramic Capacitor-B (chip) | 0.0470 16V K RECT. | チ ッ プ セ ラ (B) | | 01 |
| C262 | UR867100 | Electrolytic Cap. | 10.00 50.0V RX TP | ケ ミ コ ン | | 01 |
| C263 | US062100 | Ceramic Capacitor-SL(chip) | 100P 50V J RECT. | チ ッ プ セ ラ (S L) | | 01 |
| C264 | US062100 | Ceramic Capacitor-SL(chip) | 100P 50V J RECT. | チ ッ プ セ ラ (S L) | | 01 |
| C265 | US061470 | Ceramic Capacitor-CH(chip) | 47P 50V J RECT. | チ ッ プ セ ラ (C H) | | 01 |
| C266 | UR857470 | Electrolytic Cap. | 47.00 35.0V RX TP | ケ ミ コ ン | | 01 |
| C301 | US062470 | Ceramic Capacitor-SL(chip) | 470P 50V J RECT. | チ ッ プ セ ラ (S L) | | 01 |
| C302 | US062470 | Ceramic Capacitor-SL(chip) | 470P 50V J RECT. | チ ッ プ セ ラ (S L) | | 01 |
| C303 | WH167700 | Electrolytic Cap. | 10.00 50.0V TATETP | ケ ミ コ ン | | 01 |
| C304 | WH167700 | Electrolytic Cap. | 10.00 50.0V TATETP | ケ ミ コ ン | | 01 |
| C305 | UR867100 | Electrolytic Cap. | 10.00 50.0V RX TP | ケ ミ コ ン | | 01 |
| C306 | UR867100 | Electrolytic Cap. | 10.00 50.0V RX TP | ケ ミ コ ン | | 01 |
| C307 | US062470 | Ceramic Capacitor-SL(chip) | 470P 50V J RECT. | チ ッ プ セ ラ (S L) | | 01 |
| -309 | US062470 | Ceramic Capacitor-SL(chip) | 470P 50V J RECT. | チ ッ プ セ ラ (S L) | | 01 |
| C313 | UR828470 | Electrolytic Cap. | 470.00 10.0V RX TP | ケ ミ コ ン | | 01 |
| C314 | UR828470 | Electrolytic Cap. | 470.00 10.0V RX TP | ケ ミ コ ン | | 01 |
| C315 | US062470 | Ceramic Capacitor-SL(chip) | 470P 50V J RECT. | チ ッ プ セ ラ (S L) | | 01 |
| C316 | US062100 | Ceramic Capacitor-SL(chip) | 100P 50V J RECT. | チ ッ プ セ ラ (S L) | | 01 |
| -320 | US062100 | Ceramic Capacitor-SL(chip) | 100P 50V J RECT. | チ ッ プ セ ラ (S L) | | 01 |
| C321 | US061470 | Ceramic Capacitor-CH(chip) | 47P 50V J RECT. | チ ッ プ セ ラ (C H) | | 01 |
| C322 | US061470 | Ceramic Capacitor-CH(chip) | 47P 50V J RECT. | チ ッ プ セ ラ (C H) | | 01 |
| C323 | UR867100 | Electrolytic Cap. | 10.00 50.0V RX TP | ケ ミ コ ン | | 01 |
| C324 | UA654820 | Mylar Capacitor | 0.0820 50V J RX TP | マ イ ラ ー コ ン | | 01 |
| C325 | UA654820 | Mylar Capacitor | 0.0820 50V J RX TP | マ イ ラ ー コ ン | | 01 |
| C326 | US062100 | Ceramic Capacitor-SL(chip) | 100P 50V J RECT. | チ ッ プ セ ラ (S L) | | 01 |
| C327 | UR867100 | Electrolytic Cap. | 10.00 50.0V RX TP | ケ ミ コ ン | | 01 |
| C329 | US064100 | Ceramic Capacitor-B (chip) | 0.0100 50V K RECT. | チ ッ プ セ ラ (B) | | 01 |
| C330 | US064100 | Ceramic Capacitor-B (chip) | 0.0100 50V K RECT. | チ ッ プ セ ラ (B) | | 01 |
| C332 | US064100 | Ceramic Capacitor-B (chip) | 0.0100 50V K RECT. | チ ッ プ セ ラ (B) | | 01 |
| C333 | US064100 | Ceramic Capacitor-B (chip) | 0.0100 50V K RECT. | チ ッ プ セ ラ (B) | | 01 |
| C351 | UR867100 | Electrolytic Cap. | 10.00 50.0V RX TP | ケ ミ コ ン | | 01 |
| C352 | UR867100 | Electrolytic Cap. | 10.00 50.0V RX TP | ケ ミ コ ン | | 01 |
| C353 | UA654150 | Mylar Capacitor | 0.0150 50V J RX TP | マ イ ラ ー コ ン | | 01 |
| C354 | UA654150 | Mylar Capacitor | 0.0150 50V J RX TP | マ イ ラ ー コ ン | | 01 |
| C355 | UA654100 | Mylar Capacitor | 0.0100 50V J RX TP | マ イ ラ ー コ ン | | 01 |
| C356 | UA654100 | Mylar Capacitor | 0.0100 50V J RX TP | マ イ ラ ー コ ン | | 01 |
| C357 | UA654120 | Mylar Capacitor | 0.0120 50V J RX TP | マ イ ラ ー コ ン | | 01 |
| C358 | UA654120 | Mylar Capacitor | 0.0120 50V J RX TP | マ イ ラ ー コ ン | | 01 |
| C359 | UA653390 | Mylar Capacitor | 3900P 50V J RX TP | マ イ ラ ー コ ン | | 01 |
| C360 | UA653390 | Mylar Capacitor | 3900P 50V J RX TP | マ イ ラ ー コ ン | | 01 |
| C361 | US061330 | Ceramic Capacitor-CH(chip) | 33P 50V J RECT. | チ ッ プ セ ラ (C H) | | 01 |
| C362 | US062100 | Ceramic Capacitor-SL(chip) | 100P 50V J RECT. | チ ッ プ セ ラ (S L) | | 01 |
| C363 | US061330 | Ceramic Capacitor-CH(chip) | 33P 50V J RECT. | チ ッ プ セ ラ (C H) | | 01 |
| C364 | US062100 | Ceramic Capacitor-SL(chip) | 100P 50V J RECT. | チ ッ プ セ ラ (S L) | | 01 |
| C365 | UR857470 | Electrolytic Cap. | 47.00 35.0V RX TP | ケ ミ コ ン | | 01 |
| C366 | UR857470 | Electrolytic Cap. | 47.00 35.0V RX TP | ケ ミ コ ン | | 01 |
| C368 | US034470 | Ceramic Capacitor-B (chip) | 0.0470 16V K RECT. | チ ッ プ セ ラ (B) | | 01 |

*: New Parts

RANK: Japan only

MAIN8U

| REF NO. | PART NO. | DESCRIPTION | | 部 品 名 | REMARKS | QTY | RANK |
|---------|----------|----------------------------|--------------------|-------------------|---------|-----|------|
| C369 | UR867100 | Electrolytic Cap. | 10.00 50.0V RX TP | ケ ミ コ ン | | | 01 |
| C370 | UR867100 | Electrolytic Cap. | 10.00 50.0V RX TP | ケ ミ コ ン | | | 01 |
| C373 | US062100 | Ceramic Capacitor-SL(chip) | 100P 50V J RECT. | チ ッ プ セ ラ (S L) | | | 01 |
| C374 | US062100 | Ceramic Capacitor-SL(chip) | 100P 50V J RECT. | チ ッ プ セ ラ (S L) | | | 01 |
| C375 | US061470 | Ceramic Capacitor-CH(chip) | 47P 50V J RECT. | チ ッ プ セ ラ (C H) | | | 01 |
| C376 | US061470 | Ceramic Capacitor-CH(chip) | 47P 50V J RECT. | チ ッ プ セ ラ (C H) | | | 01 |
| C377 | UR857470 | Electrolytic Cap. | 47.00 35.0V RX TP | ケ ミ コ ン | | | 01 |
| C378 | UR857470 | Electrolytic Cap. | 47.00 35.0V RX TP | ケ ミ コ ン | | | 01 |
| C379 | US064100 | Ceramic Capacitor-B (chip) | 0.0100 50V K RECT. | チ ッ プ セ ラ (B) | | | 01 |
| -382 | US064100 | Ceramic Capacitor-B (chip) | 0.0100 50V K RECT. | チ ッ プ セ ラ (B) | | | 01 |
| C401 | US062470 | Ceramic Capacitor-SL(chip) | 470P 50V J RECT. | チ ッ プ セ ラ (S L) | | | 01 |
| C402 | US062470 | Ceramic Capacitor-SL(chip) | 470P 50V J RECT. | チ ッ プ セ ラ (S L) | | | 01 |
| C403 | WH167700 | Electrolytic Cap. | 10.00 50.0V TATETP | ケ ミ コ ン | | | |
| C404 | WH167700 | Electrolytic Cap. | 10.00 50.0V TATETP | ケ ミ コ ン | | | |
| C405 | UR867100 | Electrolytic Cap. | 10.00 50.0V RX TP | ケ ミ コ ン | | | 01 |
| C406 | UR867100 | Electrolytic Cap. | 10.00 50.0V RX TP | ケ ミ コ ン | | | 01 |
| C407 | US062470 | Ceramic Capacitor-SL(chip) | 470P 50V J RECT. | チ ッ プ セ ラ (S L) | | | 01 |
| -409 | US062470 | Ceramic Capacitor-SL(chip) | 470P 50V J RECT. | チ ッ プ セ ラ (S L) | | | 01 |
| C413 | UR828470 | Electrolytic Cap. | 470.00 10.0V RX TP | ケ ミ コ ン | | | 01 |
| C414 | UR828470 | Electrolytic Cap. | 470.00 10.0V RX TP | ケ ミ コ ン | | | 01 |
| C415 | US062470 | Ceramic Capacitor-SL(chip) | 470P 50V J RECT. | チ ッ プ セ ラ (S L) | | | 01 |
| C416 | US062100 | Ceramic Capacitor-SL(chip) | 100P 50V J RECT. | チ ッ プ セ ラ (S L) | | | 01 |
| -420 | US062100 | Ceramic Capacitor-SL(chip) | 100P 50V J RECT. | チ ッ プ セ ラ (S L) | | | 01 |
| C421 | US061470 | Ceramic Capacitor-CH(chip) | 47P 50V J RECT. | チ ッ プ セ ラ (C H) | | | 01 |
| C422 | US061470 | Ceramic Capacitor-CH(chip) | 47P 50V J RECT. | チ ッ プ セ ラ (C H) | | | 01 |
| C423 | UR867100 | Electrolytic Cap. | 10.00 50.0V RX TP | ケ ミ コ ン | | | 01 |
| C424 | UA654820 | Mylar Capacitor | 0.0820 50V J RX TP | マ イ ラ - コ ン | | | 01 |
| C425 | UA654820 | Mylar Capacitor | 0.0820 50V J RX TP | マ イ ラ - コ ン | | | 01 |
| C426 | US062100 | Ceramic Capacitor-SL(chip) | 100P 50V J RECT. | チ ッ プ セ ラ (S L) | | | 01 |
| C427 | UR867100 | Electrolytic Cap. | 10.00 50.0V RX TP | ケ ミ コ ン | | | 01 |
| C429 | US064100 | Ceramic Capacitor-B (chip) | 0.0100 50V K RECT. | チ ッ プ セ ラ (B) | | | 01 |
| C430 | US064100 | Ceramic Capacitor-B (chip) | 0.0100 50V K RECT. | チ ッ プ セ ラ (B) | | | 01 |
| C432 | US064100 | Ceramic Capacitor-B (chip) | 0.0100 50V K RECT. | チ ッ プ セ ラ (B) | | | 01 |
| C433 | US064100 | Ceramic Capacitor-B (chip) | 0.0100 50V K RECT. | チ ッ プ セ ラ (B) | | | 01 |
| C451 | UR867100 | Electrolytic Cap. | 10.00 50.0V RX TP | ケ ミ コ ン | | | 01 |
| C452 | UR867100 | Electrolytic Cap. | 10.00 50.0V RX TP | ケ ミ コ ン | | | 01 |
| C453 | UA654150 | Mylar Capacitor | 0.0150 50V J RX TP | マ イ ラ - コ ン | | | 01 |
| C454 | UA654150 | Mylar Capacitor | 0.0150 50V J RX TP | マ イ ラ - コ ン | | | 01 |
| C455 | UA654100 | Mylar Capacitor | 0.0100 50V J RX TP | マ イ ラ - コ ン | | | 01 |
| C456 | UA654100 | Mylar Capacitor | 0.0100 50V J RX TP | マ イ ラ - コ ン | | | 01 |
| C457 | UA654120 | Mylar Capacitor | 0.0120 50V J RX TP | マ イ ラ - コ ン | | | 01 |
| C458 | UA654120 | Mylar Capacitor | 0.0120 50V J RX TP | マ イ ラ - コ ン | | | 01 |
| C459 | UA653390 | Mylar Capacitor | 3900P 50V J RX TP | マ イ ラ - コ ン | | | 01 |
| C460 | UA653390 | Mylar Capacitor | 3900P 50V J RX TP | マ イ ラ - コ ン | | | 01 |
| C461 | US061330 | Ceramic Capacitor-CH(chip) | 33P 50V J RECT. | チ ッ プ セ ラ (C H) | | | 01 |
| C462 | US062100 | Ceramic Capacitor-SL(chip) | 100P 50V J RECT. | チ ッ プ セ ラ (S L) | | | 01 |
| C463 | US061330 | Ceramic Capacitor-CH(chip) | 33P 50V J RECT. | チ ッ プ セ ラ (C H) | | | 01 |
| C464 | US062100 | Ceramic Capacitor-SL(chip) | 100P 50V J RECT. | チ ッ プ セ ラ (S L) | | | 01 |
| C465 | UR857470 | Electrolytic Cap. | 47.00 35.0V RX TP | ケ ミ コ ン | | | 01 |
| C466 | UR857470 | Electrolytic Cap. | 47.00 35.0V RX TP | ケ ミ コ ン | | | 01 |
| C468 | US034470 | Ceramic Capacitor-B (chip) | 0.0470 16V K RECT. | チ ッ プ セ ラ (B) | | | 01 |
| C469 | UR867100 | Electrolytic Cap. | 10.00 50.0V RX TP | ケ ミ コ ン | | | 01 |
| C470 | UR867100 | Electrolytic Cap. | 10.00 50.0V RX TP | ケ ミ コ ン | | | 01 |
| C473 | US062100 | Ceramic Capacitor-SL(chip) | 100P 50V J RECT. | チ ッ プ セ ラ (S L) | | | 01 |
| C474 | US062100 | Ceramic Capacitor-SL(chip) | 100P 50V J RECT. | チ ッ プ セ ラ (S L) | | | 01 |
| C475 | US061470 | Ceramic Capacitor-CH(chip) | 47P 50V J RECT. | チ ッ プ セ ラ (C H) | | | 01 |
| C476 | US061470 | Ceramic Capacitor-CH(chip) | 47P 50V J RECT. | チ ッ プ セ ラ (C H) | | | 01 |
| C477 | UR857470 | Electrolytic Cap. | 47.00 35.0V RX TP | ケ ミ コ ン | | | 01 |
| C478 | UR857470 | Electrolytic Cap. | 47.00 35.0V RX TP | ケ ミ コ ン | | | 01 |
| C479 | US064100 | Ceramic Capacitor-B (chip) | 0.0100 50V K RECT. | チ ッ プ セ ラ (B) | | | 01 |
| -482 | US064100 | Ceramic Capacitor-B (chip) | 0.0100 50V K RECT. | チ ッ プ セ ラ (B) | | | 01 |
| C501 | UR867100 | Electrolytic Cap. | 10.00 50.0V RX TP | ケ ミ コ ン | | | 01 |
| C502 | UR867100 | Electrolytic Cap. | 10.00 50.0V RX TP | ケ ミ コ ン | | | 01 |
| C505 | US062100 | Ceramic Capacitor-SL(chip) | 100P 50V J RECT. | チ ッ プ セ ラ (S L) | | | 01 |
| C506 | US062100 | Ceramic Capacitor-SL(chip) | 100P 50V J RECT. | チ ッ プ セ ラ (S L) | | | 01 |
| C509 | US062100 | Ceramic Capacitor-SL(chip) | 100P 50V J RECT. | チ ッ プ セ ラ (S L) | | | 01 |
| C510 | US062100 | Ceramic Capacitor-SL(chip) | 100P 50V J RECT. | チ ッ プ セ ラ (S L) | | | 01 |
| C513 | US061470 | Ceramic Capacitor-CH(chip) | 47P 50V J RECT. | チ ッ プ セ ラ (C H) | | | 01 |
| C516 | US061470 | Ceramic Capacitor-CH(chip) | 47P 50V J RECT. | チ ッ プ セ ラ (C H) | | | 01 |
| C517 | UR867100 | Electrolytic Cap. | 10.00 50.0V RX TP | ケ ミ コ ン | | | 01 |

*: New Parts

RANK: Japan only

MAIN8U

| REF NO. | PART NO. | DESCRIPTION | | 部 品 名 | REMARKS | QTY | RANK |
|---------|----------|----------------------------|--------------------|-------------------|---------|-----|------|
| C518 | UR867100 | Electrolytic Cap. | 10.00 50.0V RX TP | ケ ミ コ ン | | | 01 |
| C519 | US064100 | Ceramic Capacitor-B (chip) | 0.0100 50V K RECT. | チ ッ プ セ ラ (B) | | | 01 |
| C520 | UR867100 | Electrolytic Cap. | 10.00 50.0V RX TP | ケ ミ コ ン | | | 01 |
| C521 | UR867100 | Electrolytic Cap. | 10.00 50.0V RX TP | ケ ミ コ ン | | | 01 |
| C522 | US064100 | Ceramic Capacitor-B (chip) | 0.0100 50V K RECT. | チ ッ プ セ ラ (B) | | | 01 |
| C528 | US062220 | Ceramic Capacitor-SL(chip) | 220P 50V J RECT. | チ ッ プ セ ラ (S L) | | | 01 |
| C529 | US062220 | Ceramic Capacitor-SL(chip) | 220P 50V J RECT. | チ ッ プ セ ラ (S L) | | | 01 |
| C531 | US061330 | Ceramic Capacitor-CH(chip) | 33P 50V J RECT. | チ ッ プ セ ラ (C H) | | | 01 |
| C532 | US061330 | Ceramic Capacitor-CH(chip) | 33P 50V J RECT. | チ ッ プ セ ラ (C H) | | | 01 |
| C533 | US062220 | Ceramic Capacitor-SL(chip) | 220P 50V J RECT. | チ ッ プ セ ラ (S L) | | | 01 |
| C534 | US062220 | Ceramic Capacitor-SL(chip) | 220P 50V J RECT. | チ ッ プ セ ラ (S L) | | | 01 |
| C535 | US064100 | Ceramic Capacitor-B (chip) | 0.0100 50V K RECT. | チ ッ プ セ ラ (B) | | | 01 |
| C536 | US061220 | Ceramic Capacitor-CH(chip) | 22P 50V J RECT. | チ ッ プ セ ラ (C H) | | | 01 |
| C537 | US061220 | Ceramic Capacitor-CH(chip) | 22P 50V J RECT. | チ ッ プ セ ラ (C H) | | | 01 |
| C538 | US064100 | Ceramic Capacitor-B (chip) | 0.0100 50V K RECT. | チ ッ プ セ ラ (B) | | | 01 |
| -540 | US064100 | Ceramic Capacitor-B (chip) | 0.0100 50V K RECT. | チ ッ プ セ ラ (B) | | | 01 |
| C551 | UR867100 | Electrolytic Cap. | 10.00 50.0V RX TP | ケ ミ コ ン | | | 01 |
| C552 | UR867100 | Electrolytic Cap. | 10.00 50.0V RX TP | ケ ミ コ ン | | | 01 |
| C555 | UA654390 | Mylar Capacitor | 0.0390 50V J RX TP | マ イ ラ ー コ ン | | | 01 |
| C556 | UA654390 | Mylar Capacitor | 0.0390 50V J RX TP | マ イ ラ ー コ ン | | | 01 |
| C559 | UA652820 | Mylar Capacitor | 820P 50V J RX TP | マ イ ラ ー コ ン | | | 01 |
| C560 | UA652820 | Mylar Capacitor | 820P 50V J RX TP | マ イ ラ ー コ ン | | | 01 |
| C563 | US061470 | Ceramic Capacitor-CH(chip) | 47P 50V J RECT. | チ ッ プ セ ラ (C H) | | | 01 |
| C564 | US062100 | Ceramic Capacitor-SL(chip) | 100P 50V J RECT. | チ ッ プ セ ラ (S L) | | | 01 |
| C565 | US061470 | Ceramic Capacitor-CH(chip) | 47P 50V J RECT. | チ ッ プ セ ラ (C H) | | | 01 |
| C566 | US062100 | Ceramic Capacitor-SL(chip) | 100P 50V J RECT. | チ ッ プ セ ラ (S L) | | | 01 |
| C571 | UR857470 | Electrolytic Cap. | 47.00 35.0V RX TP | ケ ミ コ ン | | | 01 |
| C572 | UR857470 | Electrolytic Cap. | 47.00 35.0V RX TP | ケ ミ コ ン | | | 01 |
| C579 | UR867100 | Electrolytic Cap. | 10.00 50.0V RX TP | ケ ミ コ ン | | | 01 |
| C580 | UR867100 | Electrolytic Cap. | 10.00 50.0V RX TP | ケ ミ コ ン | | | 01 |
| C587 | US062100 | Ceramic Capacitor-SL(chip) | 100P 50V J RECT. | チ ッ プ セ ラ (S L) | | | 01 |
| C588 | US062100 | Ceramic Capacitor-SL(chip) | 100P 50V J RECT. | チ ッ プ セ ラ (S L) | | | 01 |
| C591 | US061470 | Ceramic Capacitor-CH(chip) | 47P 50V J RECT. | チ ッ プ セ ラ (C H) | | | 01 |
| C592 | US061470 | Ceramic Capacitor-CH(chip) | 47P 50V J RECT. | チ ッ プ セ ラ (C H) | | | 01 |
| C595 | UR857470 | Electrolytic Cap. | 47.00 35.0V RX TP | ケ ミ コ ン | | | 01 |
| C596 | UR857470 | Electrolytic Cap. | 47.00 35.0V RX TP | ケ ミ コ ン | | | 01 |
| C599 | UR867100 | Electrolytic Cap. | 10.00 50.0V RX TP | ケ ミ コ ン | | | 01 |
| -602 | UR867100 | Electrolytic Cap. | 10.00 50.0V RX TP | ケ ミ コ ン | | | 01 |
| C603 | US064100 | Ceramic Capacitor-B (chip) | 0.0100 50V K RECT. | チ ッ プ セ ラ (B) | | | 01 |
| C604 | US064100 | Ceramic Capacitor-B (chip) | 0.0100 50V K RECT. | チ ッ プ セ ラ (B) | | | 01 |
| C607 | US064100 | Ceramic Capacitor-B (chip) | 0.0100 50V K RECT. | チ ッ プ セ ラ (B) | | | 01 |
| C608 | US064100 | Ceramic Capacitor-B (chip) | 0.0100 50V K RECT. | チ ッ プ セ ラ (B) | | | 01 |
| C701 | US063100 | Ceramic Capacitor-B (chip) | 1000P 50V K RECT. | チ ッ プ セ ラ (B) | | | 01 |
| C702 | US062220 | Ceramic Capacitor-SL(chip) | 220P 50V J RECT. | チ ッ プ セ ラ (S L) | | | 01 |
| -706 | US062220 | Ceramic Capacitor-SL(chip) | 220P 50V J RECT. | チ ッ プ セ ラ (S L) | | | 01 |
| C707 | US063100 | Ceramic Capacitor-B (chip) | 1000P 50V K RECT. | チ ッ プ セ ラ (B) | | | 01 |
| C801 | UR867100 | Electrolytic Cap. | 10.00 50.0V RX TP | ケ ミ コ ン | | | 01 |
| C802 | UR867100 | Electrolytic Cap. | 10.00 50.0V RX TP | ケ ミ コ ン | | | 01 |
| C803 | US062220 | Ceramic Capacitor-SL(chip) | 220P 50V J RECT. | チ ッ プ セ ラ (S L) | | | 01 |
| C804 | US062220 | Ceramic Capacitor-SL(chip) | 220P 50V J RECT. | チ ッ プ セ ラ (S L) | | | 01 |
| C806 | US062100 | Ceramic Capacitor-SL(chip) | 100P 50V J RECT. | チ ッ プ セ ラ (S L) | | | 01 |
| C807 | US062100 | Ceramic Capacitor-SL(chip) | 100P 50V J RECT. | チ ッ プ セ ラ (S L) | | | 01 |
| C808 | US061470 | Ceramic Capacitor-CH(chip) | 47P 50V J RECT. | チ ッ プ セ ラ (C H) | | | 01 |
| C809 | US061470 | Ceramic Capacitor-CH(chip) | 47P 50V J RECT. | チ ッ プ セ ラ (C H) | | | 01 |
| C811 | US061220 | Ceramic Capacitor-CH(chip) | 22P 50V J RECT. | チ ッ プ セ ラ (C H) | | | 01 |
| C812 | US061220 | Ceramic Capacitor-CH(chip) | 22P 50V J RECT. | チ ッ プ セ ラ (C H) | | | 01 |
| C813 | UR857470 | Electrolytic Cap. | 47.00 35.0V RX TP | ケ ミ コ ン | | | 01 |
| C814 | UR857470 | Electrolytic Cap. | 47.00 35.0V RX TP | ケ ミ コ ン | | | 01 |
| C816 | UR857470 | Electrolytic Cap. | 47.00 35.0V RX TP | ケ ミ コ ン | | | 01 |
| C817 | UR857470 | Electrolytic Cap. | 47.00 35.0V RX TP | ケ ミ コ ン | | | 01 |
| C820 | UR867100 | Electrolytic Cap. | 10.00 50.0V RX TP | ケ ミ コ ン | | | 01 |
| -823 | UR867100 | Electrolytic Cap. | 10.00 50.0V RX TP | ケ ミ コ ン | | | 01 |
| C828 | US062100 | Ceramic Capacitor-SL(chip) | 100P 50V J RECT. | チ ッ プ セ ラ (S L) | | | 01 |
| -831 | US062100 | Ceramic Capacitor-SL(chip) | 100P 50V J RECT. | チ ッ プ セ ラ (S L) | | | 01 |
| C832 | US061680 | Ceramic Capacitor-SL(chip) | 68P 50V J RECT. | チ ッ プ セ ラ (S L) | | | 01 |
| -835 | US061680 | Ceramic Capacitor-SL(chip) | 68P 50V J RECT. | チ ッ プ セ ラ (S L) | | | 01 |
| C836 | UR857470 | Electrolytic Cap. | 47.00 35.0V RX TP | ケ ミ コ ン | | | 01 |
| -838 | UR857470 | Electrolytic Cap. | 47.00 35.0V RX TP | ケ ミ コ ン | | | 01 |
| C839 | UR838100 | Electrolytic Cap. | 100.00 16.0V RX TP | ケ ミ コ ン | | | 01 |
| C840 | UR857470 | Electrolytic Cap. | 47.00 35.0V RX TP | ケ ミ コ ン | | | 01 |

*: New Parts

RANK: Japan only

MAIN8U

| REF NO. | PART NO. | DESCRIPTION | 部 品 名 | REMARKS | QTY | RANK |
|---------|----------|----------------------------|--------------------|-------------------|------------------|------|
| C841 | UR838100 | Electrolytic Cap. | 100.00 16.0V RX TP | ケ ミ コ ン | | 01 |
| C844 | US034470 | Ceramic Capacitor-B (chip) | 0.0470 16V K RECT. | チ ッ プ セ ラ (B) | | 01 |
| C845 | US034470 | Ceramic Capacitor-B (chip) | 0.0470 16V K RECT. | チ ッ プ セ ラ (B) | | 01 |
| C846 | UR867100 | Electrolytic Cap. | 10.00 50.0V RX TP | ケ ミ コ ン | | 01 |
| C847 | UR867100 | Electrolytic Cap. | 10.00 50.0V RX TP | ケ ミ コ ン | | 01 |
| C848 | US064100 | Ceramic Capacitor-B (chip) | 0.0100 50V K RECT. | チ ッ プ セ ラ (B) | | 01 |
| C849 | US064100 | Ceramic Capacitor-B (chip) | 0.0100 50V K RECT. | チ ッ プ セ ラ (B) | | 01 |
| C852 | US064100 | Ceramic Capacitor-B (chip) | 0.0100 50V K RECT. | チ ッ プ セ ラ (B) | | 01 |
| -857 | US064100 | Ceramic Capacitor-B (chip) | 0.0100 50V K RECT. | チ ッ プ セ ラ (B) | | 01 |
| C858 | UR838100 | Electrolytic Cap. | 100.00 16.0V RX TP | ケ ミ コ ン | | 01 |
| C859 | US064100 | Ceramic Capacitor-B (chip) | 0.0100 50V K RECT. | チ ッ プ セ ラ (B) | | 01 |
| C860 | US064100 | Ceramic Capacitor-B (chip) | 0.0100 50V K RECT. | チ ッ プ セ ラ (B) | | 01 |
| C861 | UR838100 | Electrolytic Cap. | 100.00 16.0V RX TP | ケ ミ コ ン | | 01 |
| C901 | US063100 | Ceramic Capacitor-B (chip) | 1000P 50V K RECT. | チ ッ プ セ ラ (B) | | 01 |
| C904 | US062220 | Ceramic Capacitor-SL(chip) | 220P 50V J RECT. | チ ッ プ セ ラ (S L) | | 01 |
| C905 | US061150 | Ceramic Capacitor-CH(chip) | 15P 50V J RECT. | チ ッ プ セ ラ (C H) | | 01 |
| C906 | UR857470 | Electrolytic Cap. | 47.00 35.0V RX TP | ケ ミ コ ン | | 01 |
| C908 | US062100 | Ceramic Capacitor-SL(chip) | 100P 50V J RECT. | チ ッ プ セ ラ (S L) | | 01 |
| C909 | US061680 | Ceramic Capacitor-SL(chip) | 68P 50V J RECT. | チ ッ プ セ ラ (S L) | | 01 |
| C910 | UR857470 | Electrolytic Cap. | 47.00 35.0V RX TP | ケ ミ コ ン | | 01 |
| C911 | US064100 | Ceramic Capacitor-B (chip) | 0.0100 50V K RECT. | チ ッ プ セ ラ (B) | | 01 |
| C912 | US064100 | Ceramic Capacitor-B (chip) | 0.0100 50V K RECT. | チ ッ プ セ ラ (B) | | 01 |
| CN701 | VB390500 | Base Post Connector | PH 9P TE | ベ ー ス ポ ス ト | | 03 |
| CN901 | WD961900 | Fermale Header | GSHD206 20P TE | メ ス ヘ ッ ダ ー | | |
| D01 | WD543900 | Diode | 1N4004 A0 TE-52 | ダ イ オ ー ド | | 01 |
| -04 | WD543900 | Diode | 1N4004 A0 TE-52 | ダ イ オ ー ド | | 01 |
| D06 | VN771700 | Diode | D1NS4-4083 1A40V T | ダ イ オ ー ド | | 01 |
| D07 | VN771700 | Diode | D1NS4-4083 1A40V T | ダ イ オ ー ド | | 01 |
| D51 | WD543900 | Diode | 1N4004 A0 TE-52 | ダ イ オ ー ド | | 01 |
| D52 | WD543900 | Diode | 1N4004 A0 TE-52 | ダ イ オ ー ド | | 01 |
| D101 | VR496500 | Diode | MA111 FLAT TP | ダ イ オ ー ド | | |
| -103 | VR496500 | Diode | MA111 FLAT TP | ダ イ オ ー ド | | |
| D201 | VR496500 | Diode | MA111 FLAT TP | ダ イ オ ー ド | | |
| -203 | VR496500 | Diode | MA111 FLAT TP | ダ イ オ ー ド | | |
| D351 | VR496500 | Diode | MA111 FLAT TP | ダ イ オ ー ド | | |
| -353 | VR496500 | Diode | MA111 FLAT TP | ダ イ オ ー ド | | |
| D451 | VR496500 | Diode | MA111 FLAT TP | ダ イ オ ー ド | | |
| -453 | VR496500 | Diode | MA111 FLAT TP | ダ イ オ ー ド | | |
| EC901 | WB349400 | Fermale Header | SDB161EPVB20F-1-4- | エンコーダナット無し | PROGRAM | 06 |
| IC01 | X4930A00 | IC | KIA7815API-U/P 15V | I | C REGULATOR +15V | 02 |
| IC02 | X4931A00 | IC | KIA7915PI-U/P -15V | I | C REGULATOR -15V | 02 |
| IC03 | X4153A00 | IC | KIA7812API | I | C REGULATOR +12V | 02 |
| IC04 | X4928A00 | IC | KIA7805API/P 5V | I | C REGULATOR +5V | 02 |
| IC51 | X4928A00 | IC | KIA7805API/P 5V | I | C REGULATOR +5V | 02 |
| IC101 | X4543A00 | IC | NJM072BM-E(TE1) | I | C OP AMP | 03 |
| IC102 | X6897A00 | IC | BA4560RF-E2 | I | C OP AMP | 01 |
| IC103 | X6897A00 | IC | BA4560RF-E2 | I | C OP AMP | 01 |
| IC104 | X7378A00 | IC | NJM4565M(TE1) | I | C OP AMP | 01 |
| IC105 | X6897A00 | IC | BA4560RF-E2 | I | C OP AMP | 01 |
| IC151 | X6897A00 | IC | BA4560RF-E2 | I | C OP AMP | 01 |
| IC152 | X6897A00 | IC | BA4560RF-E2 | I | C OP AMP | 01 |
| IC301 | X6897A00 | IC | BA4560RF-E2 | I | C OP AMP | 01 |
| IC302 | X3505A00 | IC | NJM2068M-D(TE2) | I | C OP AMP | 02 |
| IC351 | X6897A00 | IC | BA4560RF-E2 | I | C OP AMP | 01 |
| IC352 | X6897A00 | IC | BA4560RF-E2 | I | C OP AMP | 01 |
| IC401 | X6897A00 | IC | BA4560RF-E2 | I | C OP AMP | 01 |
| IC402 | X3505A00 | IC | NJM2068M-D(TE2) | I | C OP AMP | 02 |
| IC451 | X6897A00 | IC | BA4560RF-E2 | I | C OP AMP | 01 |
| IC452 | X6897A00 | IC | BA4560RF-E2 | I | C OP AMP | 01 |
| IC501 | X6897A00 | IC | BA4560RF-E2 | I | C OP AMP | 01 |
| IC503 | X6897A00 | IC | BA4560RF-E2 | I | C OP AMP | 01 |
| IC504 | X6897A00 | IC | BA4560RF-E2 | I | C OP AMP | 01 |
| IC551 | X6897A00 | IC | BA4560RF-E2 | I | C OP AMP | 01 |
| IC553 | X6897A00 | IC | BA4560RF-E2 | I | C OP AMP | 01 |
| IC801 | X6897A00 | IC | BA4560RF-E2 | I | C OP AMP | 01 |
| IC803 | X6897A00 | IC | BA4560RF-E2 | I | C OP AMP | 01 |
| IC804 | X6897A00 | IC | BA4560RF-E2 | I | C OP AMP | 01 |
| IC805 | XP844A00 | IC | NJM4556AL | I | C OP AMP | 02 |
| IC806 | XZ348A00 | IC | LB1423N-E | I | C LED DRIVER | 02 |
| IC807 | XZ348A00 | IC | LB1423N-E | I | C LED DRIVER | 02 |

*: New Parts

RANK: Japan only

MAIN8U

| REF NO. | PART NO. | DESCRIPTION | | 部 品 名 | REMARKS | QTY | RANK |
|---------|----------|------------------------|---------------------|---------------|--------------------------|-----|------|
| IC808 | X7378A00 | IC | NJM4565M(TE1) | IC | OP AMP | | 01 |
| IC901 | X6897A00 | IC | BA4560RF-E2 | IC | OP AMP | | 01 |
| J101 | -- | Jumper Wire | 0.55 TIN | ジャンパー線 | (VA07890) | | |
| -110 | -- | Jumper Wire | 0.55 TIN | ジャンパー線 | (VA07890) | | |
| JK101 | WG848700 | Cannon Connector | JACK NC3FAAV2-0-Y | キャノンコネクタ | MIC(CH1) | | |
| JK102 | WH919000 | Phone Jack | ST MSJ-064-30B B | ホンコネクタ | LINE(CH1) | | |
| JK103 | WH919000 | Phone Jack | ST MSJ-064-30B B | ホンコネクタ | INSERT(CH1) | | |
| JK201 | WG848700 | Cannon Connector | JACK NC3FAAV2-0-Y | キャノンコネクタ | MIC(CH2) | | |
| JK202 | WH919000 | Phone Jack | ST MSJ-064-30B B | ホンコネクタ | LINE(CH2) | | |
| JK203 | WH919000 | Phone Jack | ST MSJ-064-30B B | ホンコネクタ | INSERT(CH2) | | |
| JK301 | WG848700 | Cannon Connector | JACK NC3FAAV2-0-Y | キャノンコネクタ | MIC(CH3/4) | | |
| JK302 | WH919000 | Phone Jack | ST MSJ-064-30B B | ホンコネクタ | LINE L/MONO(CH3) | | |
| JK303 | WH919000 | Phone Jack | ST MSJ-064-30B B | ホンコネクタ | LINE L(CH4) | | |
| JK401 | WG848700 | Cannon Connector | JACK NC3FAAV2-0-Y | キャノンコネクタ | MIC(CH5/6) | | |
| JK402 | WH919000 | Phone Jack | ST MSJ-064-30B B | ホンコネクタ | LINE L/MONO(CH5) | | |
| JK403 | WH919000 | Phone Jack | ST MSJ-064-30B B | ホンコネクタ | LINE R(CH6) | | |
| JK501 | WH919000 | Phone Jack | ST MSJ-064-30B B | ホンコネクタ | LINE L(CH7) | | |
| JK502 | WH919000 | Phone Jack | ST MSJ-064-30B B | ホンコネクタ | LINE R(CH8) | | |
| JK506 | WH919000 | Phone Jack | ST MSJ-064-30B B | ホンコネクタ | RETURN L/MONO | | |
| JK507 | WH919000 | Phone Jack | ST MSJ-064-30B B | ホンコネクタ | RETURN R | | |
| JK508 | V9812800 | Pin Connector | MSP-247H1-01 NI | ピンコネクタ 4 P | 2TR IN/LR, REC OUT/LR | | 02 |
| JK701 | WH919000 | Phone Jack | ST MSJ-064-30B B | ホンコネクタ | STEREO OUT L | | |
| JK702 | WH919000 | Phone Jack | ST MSJ-064-30B B | ホンコネクタ | STEREO OUT R | | |
| JK703 | WH919000 | Phone Jack | ST MSJ-064-30B B | ホンコネクタ | EFFECT SEND | | |
| JK704 | WH919000 | Phone Jack | ST MSJ-064-30B B | ホンコネクタ | MONITOR L | | |
| JK705 | WH919000 | Phone Jack | ST MSJ-064-30B B | ホンコネクタ | MONITOR R | | |
| JK706 | WH919000 | Phone Jack | ST MSJ-064-30B B | ホンコネクタ | PHONES | | |
| JK901 | WC295700 | Pin Connector | MSP-532HV1-01 NI | ピンコネクタ 2 P | CH7/8 LR | | 01 |
| JK902 | WH919000 | Phone Jack | ST MSJ-064-30B B | ホンコネクタ | FOOT SW | | |
| LD151 | V9790400 | LED Red | HFR203PJ-3-00 | L E D | PEAK 1 | | 01 |
| LD251 | V9790400 | LED Red | HFR203PJ-3-00 | L E D | PEAK 2 | | 01 |
| LD351 | V9790400 | LED Red | HFR203PJ-3-00 | L E D | PEAK 3 | | 01 |
| LD451 | V9790400 | LED Red | HFR203PJ-3-00 | L E D | PEAK 4 | | 01 |
| LD801 | WH204500 | LED Level Meter | HE14RYGVB | L E D レベルメーター | PEAK,+6,+3,0,-5,-10,-20 | | |
| LD815 | V9790600 | LED Red | HFR203TP-1-00 | L E D | PHANTOM +48V/CH1-5/6 MIC | | 01 |
| LD816 | WA097500 | LED Green | HFG203PJ-3-00 | L E D | POWER | | 01 |
| LD901 | V9854500 | LED Yellow | HFY803037P-50-00 | L E D | ON | | 01 |
| Q51 | VQ547300 | Transistor | 2SC4793(HFE,F) | トランジスタ | | | 03 |
| Q101 | V7421700 | Transistor | 2SC3324-GR,BL(TE85) | トランジスタ | | | 01 |
| Q102 | V7421700 | Transistor | 2SC3324-GR,BL(TE85) | トランジスタ | | | 01 |
| Q103 | WH249200 | FET | 2SK208-GR(TE85L,F) | F E T | | | 01 |
| Q151 | WC529400 | Transistor | KTC3875S-Y,GR-R | トランジスタ | | | 01 |
| Q152 | WC529500 | Transistor | KTA1504S-Y,GR-R | トランジスタ | | | |
| Q201 | V7421700 | Transistor | 2SC3324-GR,BL(TE85) | トランジスタ | | | 01 |
| Q202 | V7421700 | Transistor | 2SC3324-GR,BL(TE85) | トランジスタ | | | 01 |
| Q203 | WH249200 | FET | 2SK208-GR(TE85L,F) | F E T | | | 01 |
| Q251 | WC529400 | Transistor | KTC3875S-Y,GR-R | トランジスタ | | | 01 |
| Q252 | WC529500 | Transistor | KTA1504S-Y,GR-R | トランジスタ | | | |
| Q301 | V7421700 | Transistor | 2SC3324-GR,BL(TE85) | トランジスタ | | | 01 |
| Q302 | V7421700 | Transistor | 2SC3324-GR,BL(TE85) | トランジスタ | | | 01 |
| Q351 | WC529400 | Transistor | KTC3875S-Y,GR-R | トランジスタ | | | 01 |
| Q352 | WC529500 | Transistor | KTA1504S-Y,GR-R | トランジスタ | | | |
| Q401 | V7421700 | Transistor | 2SC3324-GR,BL(TE85) | トランジスタ | | | 01 |
| Q402 | V7421700 | Transistor | 2SC3324-GR,BL(TE85) | トランジスタ | | | 01 |
| Q451 | WC529400 | Transistor | KTC3875S-Y,GR-R | トランジスタ | | | 01 |
| Q452 | WC529500 | Transistor | KTA1504S-Y,GR-R | トランジスタ | | | |
| Q801 | WC529400 | Transistor | KTC3875S-Y,GR-R | トランジスタ | | | 01 |
| Q802 | WC529400 | Transistor | KTC3875S-Y,GR-R | トランジスタ | | | 01 |
| Q803 | WC529500 | Transistor | KTA1504S-Y,GR-R | トランジスタ | | | |
| Q804 | WC529400 | Transistor | KTC3875S-Y,GR-R | トランジスタ | | | 01 |
| Q805 | WC529500 | Transistor | KTA1504S-Y,GR-R | トランジスタ | | | |
| Q806 | WC529400 | Transistor | KTC3875S-Y,GR-R | トランジスタ | | | 01 |
| Q807 | WC529500 | Transistor | KTA1504S-Y,GR-R | トランジスタ | | | |
| Q808 | WC529500 | Transistor | KTA1504S-Y,GR-R | トランジスタ | | | |
| Q901 | WC529400 | Transistor | KTC3875S-Y,GR-R | トランジスタ | | | 01 |
| R51 | HF457100 | Carbon Resistor | 10.0K 1/4 J AX TP | カーボン抵抗 | | | 01 |
| R52 | RD356470 | Carbon Resistor (chip) | 4.7K 63M J RECT. | チップ抵抗 | | | 01 |
| R53 | HF457150 | Carbon Resistor | 15.0K 1/4 J AX TP | カーボン抵抗 | | | 01 |
| R101 | RD358100 | Carbon Resistor (chip) | 100.0K 63M J RECT. | チップ抵抗 | | | 01 |
| R102 | RD358100 | Carbon Resistor (chip) | 100.0K 63M J RECT. | チップ抵抗 | | | 01 |

*: New Parts

RANK: Japan only

MAIN8U

| REF NO. | PART NO. | DESCRIPTION | | 部 品 名 | REMARKS | QTY | RANK |
|---------|----------|------------------------|--------------------|-------------|---------|-----|------|
| R103 | HB026680 | Metal Film Resistor | 6.8K 1/4 FAX TP | 金 属 被 膜 抵 抗 | | | 01 |
| R104 | RD358100 | Carbon Resistor (chip) | 100.0K 63M J RECT. | チ ッ プ 抵 抗 | | | 01 |
| R105 | HB026680 | Metal Film Resistor | 6.8K 1/4 FAX TP | 金 属 被 膜 抵 抗 | | | 01 |
| R106 | RF357330 | Carbon Resistor (chip) | 33.0K D 1608 | チ ッ プ 抵 抗 | | | 01 |
| R107 | RF357330 | Carbon Resistor (chip) | 33.0K D 1608 | チ ッ プ 抵 抗 | | | 01 |
| R108 | RD354750 | Carbon Resistor (chip) | 75.0 63M J RECT. | チ ッ プ 抵 抗 | | | 01 |
| R109 | RF356470 | Carbon Resistor (chip) | 4.7K D 1608 | チ ッ プ 抵 抗 | | | 01 |
| R110 | RD354100 | Carbon Resistor (chip) | 10.0 63M J RECT. | チ ッ プ 抵 抗 | | | 01 |
| R111 | RD354100 | Carbon Resistor (chip) | 10.0 63M J RECT. | チ ッ プ 抵 抗 | | | 01 |
| R112 | RF357470 | Carbon Resistor (chip) | 47.0K D 1608 | チ ッ プ 抵 抗 | | | 01 |
| R113 | RF357470 | Carbon Resistor (chip) | 47.0K D 1608 | チ ッ プ 抵 抗 | | | 01 |
| R114 | RD354100 | Carbon Resistor (chip) | 10.0 63M J RECT. | チ ッ プ 抵 抗 | | | 01 |
| R115 | RD354100 | Carbon Resistor (chip) | 10.0 63M J RECT. | チ ッ プ 抵 抗 | | | 01 |
| R116 | RF356220 | Carbon Resistor (chip) | 2.2K D 1608 | チ ッ プ 抵 抗 | | | 01 |
| R117 | RF356820 | Carbon Resistor (chip) | 8.2K D 1608 | チ ッ プ 抵 抗 | | | 01 |
| R119 | RF354150 | Carbon Resistor (chip) | 15.0 D 1608 | チ ッ プ 抵 抗 | | | 01 |
| R120 | RF356820 | Carbon Resistor (chip) | 8.2K D 1608 | チ ッ プ 抵 抗 | | | 01 |
| R121 | RF356220 | Carbon Resistor (chip) | 2.2K D 1608 | チ ッ プ 抵 抗 | | | 01 |
| R123 | RF357270 | Carbon Resistor (chip) | 27.0K D 1608 | チ ッ プ 抵 抗 | | | 01 |
| R124 | RF357270 | Carbon Resistor (chip) | 27.0K D 1608 | チ ッ プ 抵 抗 | | | 01 |
| R125 | RD358220 | Carbon Resistor (chip) | 220.0K 63M J RECT. | チ ッ プ 抵 抗 | | | 01 |
| R126 | RD357150 | Carbon Resistor (chip) | 15.0K 63M J RECT. | チ ッ プ 抵 抗 | | | 01 |
| R127 | RD357330 | Carbon Resistor (chip) | 33.0K 63M J RECT. | チ ッ プ 抵 抗 | | | 01 |
| R129 | RD358220 | Carbon Resistor (chip) | 220.0K 63M J RECT. | チ ッ プ 抵 抗 | | | 01 |
| R130 | RD358220 | Carbon Resistor (chip) | 220.0K 63M J RECT. | チ ッ プ 抵 抗 | | | 01 |
| R131 | RD357560 | Carbon Resistor (chip) | 56.0K 63M J RECT. | チ ッ プ 抵 抗 | | | 01 |
| R132 | RD358100 | Carbon Resistor (chip) | 100.0K 63M J RECT. | チ ッ プ 抵 抗 | | | 01 |
| R133 | RD357270 | Carbon Resistor (chip) | 27.0K 63M J RECT. | チ ッ プ 抵 抗 | | | 01 |
| R134 | RD355820 | Carbon Resistor (chip) | 820.0 63M J RECT. | チ ッ プ 抵 抗 | | | 01 |
| R135 | RD355820 | Carbon Resistor (chip) | 820.0 63M J RECT. | チ ッ プ 抵 抗 | | | 01 |
| R136 | RD357270 | Carbon Resistor (chip) | 27.0K 63M J RECT. | チ ッ プ 抵 抗 | | | 01 |
| R137 | RD357120 | Carbon Resistor (chip) | 12.0K 63M J RECT. | チ ッ プ 抵 抗 | | | 01 |
| R138 | RD357120 | Carbon Resistor (chip) | 12.0K 63M J RECT. | チ ッ プ 抵 抗 | | | 01 |
| R139 | RD357220 | Carbon Resistor (chip) | 22.0K 63M J RECT. | チ ッ プ 抵 抗 | | | 01 |
| R141 | RF358100 | Carbon Resistor (chip) | 100.0K D 1608 | チ ッ プ 抵 抗 | | | 01 |
| R142 | RF356330 | Carbon Resistor (chip) | 3.3K D RECT | チ ッ プ 抵 抗 | | | 01 |
| R151 | RD357100 | Carbon Resistor (chip) | 10.0K 63M J RECT. | チ ッ プ 抵 抗 | | | 01 |
| R152 | RD355680 | Carbon Resistor (chip) | 680.0 63M J RECT. | チ ッ プ 抵 抗 | | | 01 |
| R153 | RD356270 | Carbon Resistor (chip) | 2.7K 63M J RECT. | チ ッ プ 抵 抗 | | | 01 |
| R154 | RD357100 | Carbon Resistor (chip) | 10.0K 63M J RECT. | チ ッ プ 抵 抗 | | | 01 |
| R155 | RD357100 | Carbon Resistor (chip) | 10.0K 63M J RECT. | チ ッ プ 抵 抗 | | | 01 |
| R156 | RD355680 | Carbon Resistor (chip) | 680.0 63M J RECT. | チ ッ プ 抵 抗 | | | 01 |
| R157 | RD356270 | Carbon Resistor (chip) | 2.7K 63M J RECT. | チ ッ プ 抵 抗 | | | 01 |
| R158 | RD356270 | Carbon Resistor (chip) | 2.7K 63M J RECT. | チ ッ プ 抵 抗 | | | 01 |
| R160 | RD358100 | Carbon Resistor (chip) | 100.0K 63M J RECT. | チ ッ プ 抵 抗 | | | 01 |
| R161 | RD356820 | Carbon Resistor (chip) | 8.2K 63M J RECT. | チ ッ プ 抵 抗 | | | 01 |
| R162 | RD358100 | Carbon Resistor (chip) | 100.0K 63M J RECT. | チ ッ プ 抵 抗 | | | 01 |
| R163 | RD356470 | Carbon Resistor (chip) | 4.7K 63M J RECT. | チ ッ プ 抵 抗 | | | 01 |
| R164 | HF456270 | Carbon Resistor | 2.7K 1/4 J AX TP | カ ー ボ ン 抵 抗 | | | 01 |
| R165 | RD358100 | Carbon Resistor (chip) | 100.0K 63M J RECT. | チ ッ プ 抵 抗 | | | 01 |
| R166 | RD355220 | Carbon Resistor (chip) | 220.0 63M J RECT. | チ ッ プ 抵 抗 | | | 01 |
| R167 | RD357180 | Carbon Resistor (chip) | 18.0K 63M J RECT. | チ ッ プ 抵 抗 | | | 01 |
| R168 | RD355220 | Carbon Resistor (chip) | 220.0 63M J RECT. | チ ッ プ 抵 抗 | | | 01 |
| R169 | RD357180 | Carbon Resistor (chip) | 18.0K 63M J RECT. | チ ッ プ 抵 抗 | | | 01 |
| R170 | RD357220 | Carbon Resistor (chip) | 22.0K 63M J RECT. | チ ッ プ 抵 抗 | | | 01 |
| R173 | RD357180 | Carbon Resistor (chip) | 18.0K 63M J RECT. | チ ッ プ 抵 抗 | | | 01 |
| R174 | RD357180 | Carbon Resistor (chip) | 18.0K 63M J RECT. | チ ッ プ 抵 抗 | | | 01 |
| R175 | RD357220 | Carbon Resistor (chip) | 22.0K 63M J RECT. | チ ッ プ 抵 抗 | | | 01 |
| R201 | RD358100 | Carbon Resistor (chip) | 100.0K 63M J RECT. | チ ッ プ 抵 抗 | | | 01 |
| R202 | HB026680 | Metal Film Resistor | 6.8K 1/4 FAX TP | 金 属 被 膜 抵 抗 | | | 01 |
| R203 | RD358100 | Carbon Resistor (chip) | 100.0K 63M J RECT. | チ ッ プ 抵 抗 | | | 01 |
| R204 | HB026680 | Metal Film Resistor | 6.8K 1/4 FAX TP | 金 属 被 膜 抵 抗 | | | 01 |
| R205 | RF357330 | Carbon Resistor (chip) | 33.0K D 1608 | チ ッ プ 抵 抗 | | | 01 |
| R206 | RF357330 | Carbon Resistor (chip) | 33.0K D 1608 | チ ッ プ 抵 抗 | | | 01 |
| R207 | RD354750 | Carbon Resistor (chip) | 75.0 63M J RECT. | チ ッ プ 抵 抗 | | | 01 |
| R208 | RF356470 | Carbon Resistor (chip) | 4.7K D 1608 | チ ッ プ 抵 抗 | | | 01 |
| R209 | RD354100 | Carbon Resistor (chip) | 10.0 63M J RECT. | チ ッ プ 抵 抗 | | | 01 |
| R210 | RD354100 | Carbon Resistor (chip) | 10.0 63M J RECT. | チ ッ プ 抵 抗 | | | 01 |
| R211 | RF357470 | Carbon Resistor (chip) | 47.0K D 1608 | チ ッ プ 抵 抗 | | | 01 |
| R212 | RF357470 | Carbon Resistor (chip) | 47.0K D 1608 | チ ッ プ 抵 抗 | | | 01 |

*: New Parts

RANK: Japan only

MAIN8U

| REF NO. | PART NO. | DESCRIPTION | 部 品 名 | REMARKS | QTY | RANK |
|---------|----------|------------------------|--------------------|-------------|-----|------|
| R213 | RD354100 | Carbon Resistor (chip) | 10.0 63M J RECT. | チ ッ プ 抵 抗 | | 01 |
| R214 | RD354100 | Carbon Resistor (chip) | 10.0 63M J RECT. | チ ッ プ 抵 抗 | | 01 |
| R215 | RF356220 | Carbon Resistor (chip) | 2.2K D 1608 | チ ッ プ 抵 抗 | | 01 |
| R216 | RF356820 | Carbon Resistor (chip) | 8.2K D 1608 | チ ッ プ 抵 抗 | | 01 |
| R218 | RF354150 | Carbon Resistor (chip) | 15.0 D 1608 | チ ッ プ 抵 抗 | | 01 |
| R219 | RF356820 | Carbon Resistor (chip) | 8.2K D 1608 | チ ッ プ 抵 抗 | | 01 |
| R220 | RF356220 | Carbon Resistor (chip) | 2.2K D 1608 | チ ッ プ 抵 抗 | | 01 |
| R222 | RF357270 | Carbon Resistor (chip) | 27.0K D 1608 | チ ッ プ 抵 抗 | | 01 |
| R223 | RF357270 | Carbon Resistor (chip) | 27.0K D 1608 | チ ッ プ 抵 抗 | | 01 |
| R224 | RD358220 | Carbon Resistor (chip) | 220.0K 63M J RECT. | チ ッ プ 抵 抗 | | 01 |
| R225 | RD357150 | Carbon Resistor (chip) | 15.0K 63M J RECT. | チ ッ プ 抵 抗 | | 01 |
| R226 | RD357330 | Carbon Resistor (chip) | 33.0K 63M J RECT. | チ ッ プ 抵 抗 | | 01 |
| R228 | RD358220 | Carbon Resistor (chip) | 220.0K 63M J RECT. | チ ッ プ 抵 抗 | | 01 |
| R229 | RD358220 | Carbon Resistor (chip) | 220.0K 63M J RECT. | チ ッ プ 抵 抗 | | 01 |
| R230 | RD357560 | Carbon Resistor (chip) | 56.0K 63M J RECT. | チ ッ プ 抵 抗 | | 01 |
| R231 | RD358100 | Carbon Resistor (chip) | 100.0K 63M J RECT. | チ ッ プ 抵 抗 | | 01 |
| R232 | RD357270 | Carbon Resistor (chip) | 27.0K 63M J RECT. | チ ッ プ 抵 抗 | | 01 |
| R233 | RD355820 | Carbon Resistor (chip) | 820.0 63M J RECT. | チ ッ プ 抵 抗 | | 01 |
| R234 | RD355820 | Carbon Resistor (chip) | 820.0 63M J RECT. | チ ッ プ 抵 抗 | | 01 |
| R235 | RD357270 | Carbon Resistor (chip) | 27.0K 63M J RECT. | チ ッ プ 抵 抗 | | 01 |
| R236 | RD357120 | Carbon Resistor (chip) | 12.0K 63M J RECT. | チ ッ プ 抵 抗 | | 01 |
| R237 | RD357120 | Carbon Resistor (chip) | 12.0K 63M J RECT. | チ ッ プ 抵 抗 | | 01 |
| R238 | RD357220 | Carbon Resistor (chip) | 22.0K 63M J RECT. | チ ッ プ 抵 抗 | | 01 |
| R251 | RD357100 | Carbon Resistor (chip) | 10.0K 63M J RECT. | チ ッ プ 抵 抗 | | 01 |
| R252 | RD355680 | Carbon Resistor (chip) | 680.0 63M J RECT. | チ ッ プ 抵 抗 | | 01 |
| R253 | RD356270 | Carbon Resistor (chip) | 2.7K 63M J RECT. | チ ッ プ 抵 抗 | | 01 |
| R254 | RD357100 | Carbon Resistor (chip) | 10.0K 63M J RECT. | チ ッ プ 抵 抗 | | 01 |
| R255 | RD357100 | Carbon Resistor (chip) | 10.0K 63M J RECT. | チ ッ プ 抵 抗 | | 01 |
| R256 | RD355680 | Carbon Resistor (chip) | 680.0 63M J RECT. | チ ッ プ 抵 抗 | | 01 |
| R257 | RD356270 | Carbon Resistor (chip) | 2.7K 63M J RECT. | チ ッ プ 抵 抗 | | 01 |
| R258 | RD356270 | Carbon Resistor (chip) | 2.7K 63M J RECT. | チ ッ プ 抵 抗 | | 01 |
| R260 | RD358100 | Carbon Resistor (chip) | 100.0K 63M J RECT. | チ ッ プ 抵 抗 | | 01 |
| R261 | RD356820 | Carbon Resistor (chip) | 8.2K 63M J RECT. | チ ッ プ 抵 抗 | | 01 |
| R262 | RD358100 | Carbon Resistor (chip) | 100.0K 63M J RECT. | チ ッ プ 抵 抗 | | 01 |
| R263 | RD356470 | Carbon Resistor (chip) | 4.7K 63M J RECT. | チ ッ プ 抵 抗 | | 01 |
| R264 | HF456270 | Carbon Resistor | 2.7K 1/4 J AX TP | カ ー ボ ン 抵 抗 | | 01 |
| R265 | RD358100 | Carbon Resistor (chip) | 100.0K 63M J RECT. | チ ッ プ 抵 抗 | | 01 |
| R266 | RD355220 | Carbon Resistor (chip) | 220.0 63M J RECT. | チ ッ プ 抵 抗 | | 01 |
| R267 | RD357180 | Carbon Resistor (chip) | 18.0K 63M J RECT. | チ ッ プ 抵 抗 | | 01 |
| R268 | RD355220 | Carbon Resistor (chip) | 220.0 63M J RECT. | チ ッ プ 抵 抗 | | 01 |
| R269 | RD357180 | Carbon Resistor (chip) | 18.0K 63M J RECT. | チ ッ プ 抵 抗 | | 01 |
| R270 | RD357220 | Carbon Resistor (chip) | 22.0K 63M J RECT. | チ ッ プ 抵 抗 | | 01 |
| R273 | RD357180 | Carbon Resistor (chip) | 18.0K 63M J RECT. | チ ッ プ 抵 抗 | | 01 |
| R274 | RD357180 | Carbon Resistor (chip) | 18.0K 63M J RECT. | チ ッ プ 抵 抗 | | 01 |
| R275 | RD357220 | Carbon Resistor (chip) | 22.0K 63M J RECT. | チ ッ プ 抵 抗 | | 01 |
| R301 | HB026680 | Metal Film Resistor | 6.8K 1/4 F AX TP | 金 属 被 膜 抵 抗 | | 01 |
| R302 | HB026680 | Metal Film Resistor | 6.8K 1/4 F AX TP | 金 属 被 膜 抵 抗 | | 01 |
| R303 | RD354100 | Carbon Resistor (chip) | 10.0 63M J RECT. | チ ッ プ 抵 抗 | | 01 |
| R304 | RD354100 | Carbon Resistor (chip) | 10.0 63M J RECT. | チ ッ プ 抵 抗 | | 01 |
| R305 | RD357100 | Carbon Resistor (chip) | 10.0K 63M J RECT. | チ ッ プ 抵 抗 | | 01 |
| R306 | RD357100 | Carbon Resistor (chip) | 10.0K 63M J RECT. | チ ッ プ 抵 抗 | | 01 |
| R307 | RF357470 | Carbon Resistor (chip) | 47.0K D 1608 | チ ッ プ 抵 抗 | | 01 |
| R308 | RF357470 | Carbon Resistor (chip) | 47.0K D 1608 | チ ッ プ 抵 抗 | | 01 |
| R309 | RD354100 | Carbon Resistor (chip) | 10.0 63M J RECT. | チ ッ プ 抵 抗 | | 01 |
| R310 | RD354100 | Carbon Resistor (chip) | 10.0 63M J RECT. | チ ッ プ 抵 抗 | | 01 |
| R311 | RD356220 | Carbon Resistor (chip) | 2.2K 63M J RECT. | チ ッ プ 抵 抗 | | 01 |
| R312 | RD356220 | Carbon Resistor (chip) | 2.2K 63M J RECT. | チ ッ プ 抵 抗 | | 01 |
| R313 | RF356220 | Carbon Resistor (chip) | 2.2K D 1608 | チ ッ プ 抵 抗 | | 01 |
| R314 | RF356820 | Carbon Resistor (chip) | 8.2K D 1608 | チ ッ プ 抵 抗 | | 01 |
| R315 | RF355680 | Carbon Resistor (chip) | 680.0 D 1608 | チ ッ プ 抵 抗 | | 01 |
| R319 | RF356820 | Carbon Resistor (chip) | 8.2K D 1608 | チ ッ プ 抵 抗 | | 01 |
| R320 | RF356220 | Carbon Resistor (chip) | 2.2K D 1608 | チ ッ プ 抵 抗 | | 01 |
| R322 | RF356680 | Carbon Resistor (chip) | 6.8K D 1608 | チ ッ プ 抵 抗 | | 01 |
| R323 | RF356680 | Carbon Resistor (chip) | 6.8K D 1608 | チ ッ プ 抵 抗 | | 01 |
| R324 | RD354470 | Carbon Resistor (chip) | 47.0 63M J RECT. | チ ッ プ 抵 抗 | | 01 |
| R325 | RD354470 | Carbon Resistor (chip) | 47.0 63M J RECT. | チ ッ プ 抵 抗 | | 01 |
| R326 | RD357150 | Carbon Resistor (chip) | 15.0K 63M J RECT. | チ ッ プ 抵 抗 | | 01 |
| R327 | RD357150 | Carbon Resistor (chip) | 15.0K 63M J RECT. | チ ッ プ 抵 抗 | | 01 |
| R328 | RD357470 | Carbon Resistor (chip) | 47.0K 63M J RECT. | チ ッ プ 抵 抗 | | 01 |
| R329 | RD357150 | Carbon Resistor (chip) | 15.0K 63M J RECT. | チ ッ プ 抵 抗 | | 01 |

*: New Parts

RANK: Japan only

MAIN8U

| REF NO. | PART NO. | DESCRIPTION | 部 | 品 | 名 | REMARKS | QTY | RANK |
|---------|----------|------------------------|--------------------|---|---|---------|-----|------|
| R330 | RD357330 | Carbon Resistor (chip) | 33.0K 63M J RECT. | チ | ッ | ブ 抵 抗 | | 01 |
| R332 | RD357470 | Carbon Resistor (chip) | 47.0K 63M J RECT. | チ | ッ | ブ 抵 抗 | | 01 |
| R333 | RD358220 | Carbon Resistor (chip) | 220.0K 63M J RECT. | チ | ッ | ブ 抵 抗 | | 01 |
| R334 | RF356470 | Carbon Resistor (chip) | 4.7K D 1608 | チ | ッ | ブ 抵 抗 | | 01 |
| R351 | RD357100 | Carbon Resistor (chip) | 10.0K 63M J RECT. | チ | ッ | ブ 抵 抗 | | 01 |
| R352 | RD357100 | Carbon Resistor (chip) | 10.0K 63M J RECT. | チ | ッ | ブ 抵 抗 | | 01 |
| R353 | RD355680 | Carbon Resistor (chip) | 680.0 63M J RECT. | チ | ッ | ブ 抵 抗 | | 01 |
| R354 | RD355680 | Carbon Resistor (chip) | 680.0 63M J RECT. | チ | ッ | ブ 抵 抗 | | 01 |
| R355 | RD356270 | Carbon Resistor (chip) | 2.7K 63M J RECT. | チ | ッ | ブ 抵 抗 | | 01 |
| R356 | RD356270 | Carbon Resistor (chip) | 2.7K 63M J RECT. | チ | ッ | ブ 抵 抗 | | 01 |
| R357 | RD357100 | Carbon Resistor (chip) | 10.0K 63M J RECT. | チ | ッ | ブ 抵 抗 | | 01 |
| -360 | RD357100 | Carbon Resistor (chip) | 10.0K 63M J RECT. | チ | ッ | ブ 抵 抗 | | 01 |
| R361 | RD355680 | Carbon Resistor (chip) | 680.0 63M J RECT. | チ | ッ | ブ 抵 抗 | | 01 |
| R362 | RD355680 | Carbon Resistor (chip) | 680.0 63M J RECT. | チ | ッ | ブ 抵 抗 | | 01 |
| R363 | RD356270 | Carbon Resistor (chip) | 2.7K 63M J RECT. | チ | ッ | ブ 抵 抗 | | 01 |
| -366 | RD356270 | Carbon Resistor (chip) | 2.7K 63M J RECT. | チ | ッ | ブ 抵 抗 | | 01 |
| R367 | RD358100 | Carbon Resistor (chip) | 100.0K 63M J RECT. | チ | ッ | ブ 抵 抗 | | 01 |
| R368 | RD357100 | Carbon Resistor (chip) | 10.0K 63M J RECT. | チ | ッ | ブ 抵 抗 | | 01 |
| R369 | RD358100 | Carbon Resistor (chip) | 100.0K 63M J RECT. | チ | ッ | ブ 抵 抗 | | 01 |
| R370 | RD356470 | Carbon Resistor (chip) | 4.7K 63M J RECT. | チ | ッ | ブ 抵 抗 | | 01 |
| R371 | HF456270 | Carbon Resistor | 2.7K 1/4 J AX TP | カ | ー | ボ ン 抵 抗 | | 01 |
| R372 | RD358100 | Carbon Resistor (chip) | 100.0K 63M J RECT. | チ | ッ | ブ 抵 抗 | | 01 |
| R375 | RD357180 | Carbon Resistor (chip) | 18.0K 63M J RECT. | チ | ッ | ブ 抵 抗 | | 01 |
| R376 | RD357180 | Carbon Resistor (chip) | 18.0K 63M J RECT. | チ | ッ | ブ 抵 抗 | | 01 |
| R379 | RD357180 | Carbon Resistor (chip) | 18.0K 63M J RECT. | チ | ッ | ブ 抵 抗 | | 01 |
| R380 | RD357180 | Carbon Resistor (chip) | 18.0K 63M J RECT. | チ | ッ | ブ 抵 抗 | | 01 |
| R381 | RD357220 | Carbon Resistor (chip) | 22.0K 63M J RECT. | チ | ッ | ブ 抵 抗 | | 01 |
| R382 | RD357220 | Carbon Resistor (chip) | 22.0K 63M J RECT. | チ | ッ | ブ 抵 抗 | | 01 |
| R383 | RD356470 | Carbon Resistor (chip) | 4.7K 63M J RECT. | チ | ッ | ブ 抵 抗 | | 01 |
| R384 | RD356470 | Carbon Resistor (chip) | 4.7K 63M J RECT. | チ | ッ | ブ 抵 抗 | | 01 |
| R387 | RD357180 | Carbon Resistor (chip) | 18.0K 63M J RECT. | チ | ッ | ブ 抵 抗 | | 01 |
| R388 | RD357180 | Carbon Resistor (chip) | 18.0K 63M J RECT. | チ | ッ | ブ 抵 抗 | | 01 |
| R389 | RD357120 | Carbon Resistor (chip) | 12.0K 63M J RECT. | チ | ッ | ブ 抵 抗 | | 01 |
| R401 | HB026680 | Metal Film Resistor | 6.8K 1/4 F AX TP | 金 | 属 | 被 膜 抵 抗 | | 01 |
| R402 | HB026680 | Metal Film Resistor | 6.8K 1/4 F AX TP | 金 | 属 | 被 膜 抵 抗 | | 01 |
| R403 | RD354100 | Carbon Resistor (chip) | 10.0 63M J RECT. | チ | ッ | ブ 抵 抗 | | 01 |
| R404 | RD354100 | Carbon Resistor (chip) | 10.0 63M J RECT. | チ | ッ | ブ 抵 抗 | | 01 |
| R405 | RD357100 | Carbon Resistor (chip) | 10.0K 63M J RECT. | チ | ッ | ブ 抵 抗 | | 01 |
| R406 | RD357100 | Carbon Resistor (chip) | 10.0K 63M J RECT. | チ | ッ | ブ 抵 抗 | | 01 |
| R407 | RF357470 | Carbon Resistor (chip) | 47.0K D 1608 | チ | ッ | ブ 抵 抗 | | 01 |
| R408 | RF357470 | Carbon Resistor (chip) | 47.0K D 1608 | チ | ッ | ブ 抵 抗 | | 01 |
| R409 | RD354100 | Carbon Resistor (chip) | 10.0 63M J RECT. | チ | ッ | ブ 抵 抗 | | 01 |
| R410 | RD354100 | Carbon Resistor (chip) | 10.0 63M J RECT. | チ | ッ | ブ 抵 抗 | | 01 |
| R411 | RD356220 | Carbon Resistor (chip) | 2.2K 63M J RECT. | チ | ッ | ブ 抵 抗 | | 01 |
| R412 | RD356220 | Carbon Resistor (chip) | 2.2K 63M J RECT. | チ | ッ | ブ 抵 抗 | | 01 |
| R413 | RF356220 | Carbon Resistor (chip) | 2.2K D 1608 | チ | ッ | ブ 抵 抗 | | 01 |
| R414 | RF356820 | Carbon Resistor (chip) | 8.2K D 1608 | チ | ッ | ブ 抵 抗 | | 01 |
| R415 | RF355680 | Carbon Resistor (chip) | 680.0 D 1608 | チ | ッ | ブ 抵 抗 | | 01 |
| R419 | RF356820 | Carbon Resistor (chip) | 8.2K D 1608 | チ | ッ | ブ 抵 抗 | | 01 |
| R420 | RF356220 | Carbon Resistor (chip) | 2.2K D 1608 | チ | ッ | ブ 抵 抗 | | 01 |
| R422 | RF356680 | Carbon Resistor (chip) | 6.8K D 1608 | チ | ッ | ブ 抵 抗 | | 01 |
| R423 | RF356680 | Carbon Resistor (chip) | 6.8K D 1608 | チ | ッ | ブ 抵 抗 | | 01 |
| R424 | RD354470 | Carbon Resistor (chip) | 47.0 63M J RECT. | チ | ッ | ブ 抵 抗 | | 01 |
| R425 | RD354470 | Carbon Resistor (chip) | 47.0 63M J RECT. | チ | ッ | ブ 抵 抗 | | 01 |
| R426 | RD357150 | Carbon Resistor (chip) | 15.0K 63M J RECT. | チ | ッ | ブ 抵 抗 | | 01 |
| R427 | RD357150 | Carbon Resistor (chip) | 15.0K 63M J RECT. | チ | ッ | ブ 抵 抗 | | 01 |
| R428 | RD357470 | Carbon Resistor (chip) | 47.0K 63M J RECT. | チ | ッ | ブ 抵 抗 | | 01 |
| R429 | RD357150 | Carbon Resistor (chip) | 15.0K 63M J RECT. | チ | ッ | ブ 抵 抗 | | 01 |
| R430 | RD357330 | Carbon Resistor (chip) | 33.0K 63M J RECT. | チ | ッ | ブ 抵 抗 | | 01 |
| R432 | RD357470 | Carbon Resistor (chip) | 47.0K 63M J RECT. | チ | ッ | ブ 抵 抗 | | 01 |
| R433 | RD358220 | Carbon Resistor (chip) | 220.0K 63M J RECT. | チ | ッ | ブ 抵 抗 | | 01 |
| R434 | RF356470 | Carbon Resistor (chip) | 4.7K D 1608 | チ | ッ | ブ 抵 抗 | | 01 |
| R451 | RD357100 | Carbon Resistor (chip) | 10.0K 63M J RECT. | チ | ッ | ブ 抵 抗 | | 01 |
| R452 | RD357100 | Carbon Resistor (chip) | 10.0K 63M J RECT. | チ | ッ | ブ 抵 抗 | | 01 |
| R453 | RD355680 | Carbon Resistor (chip) | 680.0 63M J RECT. | チ | ッ | ブ 抵 抗 | | 01 |
| R454 | RD355680 | Carbon Resistor (chip) | 680.0 63M J RECT. | チ | ッ | ブ 抵 抗 | | 01 |
| R455 | RD356270 | Carbon Resistor (chip) | 2.7K 63M J RECT. | チ | ッ | ブ 抵 抗 | | 01 |
| R456 | RD356270 | Carbon Resistor (chip) | 2.7K 63M J RECT. | チ | ッ | ブ 抵 抗 | | 01 |
| R457 | RD357100 | Carbon Resistor (chip) | 10.0K 63M J RECT. | チ | ッ | ブ 抵 抗 | | 01 |
| -460 | RD357100 | Carbon Resistor (chip) | 10.0K 63M J RECT. | チ | ッ | ブ 抵 抗 | | 01 |

*: New Parts

RANK: Japan only

MAIN8U

| REF NO. | PART NO. | DESCRIPTION | 部 品 名 | REMARKS | QTY | RANK |
|---------|----------|------------------------|--------------------|-------------|-----|------|
| R461 | RD355680 | Carbon Resistor (chip) | 680.0 63M J RECT. | チ ッ プ 抵 抗 | | 01 |
| R462 | RD355680 | Carbon Resistor (chip) | 680.0 63M J RECT. | チ ッ プ 抵 抗 | | 01 |
| R463 | RD356270 | Carbon Resistor (chip) | 2.7K 63M J RECT. | チ ッ プ 抵 抗 | | 01 |
| -466 | RD356270 | Carbon Resistor (chip) | 2.7K 63M J RECT. | チ ッ プ 抵 抗 | | 01 |
| R467 | RD358100 | Carbon Resistor (chip) | 100.0K 63M J RECT. | チ ッ プ 抵 抗 | | 01 |
| R468 | RD357100 | Carbon Resistor (chip) | 10.0K 63M J RECT. | チ ッ プ 抵 抗 | | 01 |
| R469 | RD358100 | Carbon Resistor (chip) | 100.0K 63M J RECT. | チ ッ プ 抵 抗 | | 01 |
| R470 | RD356470 | Carbon Resistor (chip) | 4.7K 63M J RECT. | チ ッ プ 抵 抗 | | 01 |
| R471 | HF456270 | Carbon Resistor | 2.7K 1/4 J AX TP | カ ー ボ ン 抵 抗 | | 01 |
| R472 | RD358100 | Carbon Resistor (chip) | 100.0K 63M J RECT. | チ ッ プ 抵 抗 | | 01 |
| R475 | RD357180 | Carbon Resistor (chip) | 18.0K 63M J RECT. | チ ッ プ 抵 抗 | | 01 |
| R476 | RD357180 | Carbon Resistor (chip) | 18.0K 63M J RECT. | チ ッ プ 抵 抗 | | 01 |
| R479 | RD357180 | Carbon Resistor (chip) | 18.0K 63M J RECT. | チ ッ プ 抵 抗 | | 01 |
| R480 | RD357180 | Carbon Resistor (chip) | 18.0K 63M J RECT. | チ ッ プ 抵 抗 | | 01 |
| R481 | RD357220 | Carbon Resistor (chip) | 22.0K 63M J RECT. | チ ッ プ 抵 抗 | | 01 |
| R482 | RD357220 | Carbon Resistor (chip) | 22.0K 63M J RECT. | チ ッ プ 抵 抗 | | 01 |
| R483 | RD356470 | Carbon Resistor (chip) | 4.7K 63M J RECT. | チ ッ プ 抵 抗 | | 01 |
| R484 | RD356470 | Carbon Resistor (chip) | 4.7K 63M J RECT. | チ ッ プ 抵 抗 | | 01 |
| R487 | RD357180 | Carbon Resistor (chip) | 18.0K 63M J RECT. | チ ッ プ 抵 抗 | | 01 |
| R488 | RD357180 | Carbon Resistor (chip) | 18.0K 63M J RECT. | チ ッ プ 抵 抗 | | 01 |
| R489 | RD357120 | Carbon Resistor (chip) | 12.0K 63M J RECT. | チ ッ プ 抵 抗 | | 01 |
| R501 | RD358220 | Carbon Resistor (chip) | 220.0K 63M J RECT. | チ ッ プ 抵 抗 | | 01 |
| R502 | RD358220 | Carbon Resistor (chip) | 220.0K 63M J RECT. | チ ッ プ 抵 抗 | | 01 |
| R505 | RD355220 | Carbon Resistor (chip) | 220.0 63M J RECT. | チ ッ プ 抵 抗 | | 01 |
| R506 | RD355220 | Carbon Resistor (chip) | 220.0 63M J RECT. | チ ッ プ 抵 抗 | | 01 |
| R509 | RD357180 | Carbon Resistor (chip) | 18.0K 63M J RECT. | チ ッ プ 抵 抗 | | 01 |
| R510 | RD357180 | Carbon Resistor (chip) | 18.0K 63M J RECT. | チ ッ プ 抵 抗 | | 01 |
| R513 | RD355220 | Carbon Resistor (chip) | 220.0 63M J RECT. | チ ッ プ 抵 抗 | | 01 |
| R514 | RD355220 | Carbon Resistor (chip) | 220.0 63M J RECT. | チ ッ プ 抵 抗 | | 01 |
| R517 | RD356820 | Carbon Resistor (chip) | 8.2K 63M J RECT. | チ ッ プ 抵 抗 | | 01 |
| R518 | RD356820 | Carbon Resistor (chip) | 8.2K 63M J RECT. | チ ッ プ 抵 抗 | | 01 |
| R521 | RD357180 | Carbon Resistor (chip) | 18.0K 63M J RECT. | チ ッ プ 抵 抗 | | 01 |
| R524 | RD357180 | Carbon Resistor (chip) | 18.0K 63M J RECT. | チ ッ プ 抵 抗 | | 01 |
| R525 | RD358220 | Carbon Resistor (chip) | 220.0K 63M J RECT. | チ ッ プ 抵 抗 | | 01 |
| R526 | RD358220 | Carbon Resistor (chip) | 220.0K 63M J RECT. | チ ッ プ 抵 抗 | | 01 |
| R531 | RD357390 | Carbon Resistor (chip) | 39.0K 63M J RECT. | チ ッ プ 抵 抗 | | 01 |
| -534 | RD357390 | Carbon Resistor (chip) | 39.0K 63M J RECT. | チ ッ プ 抵 抗 | | 01 |
| R535 | RD357180 | Carbon Resistor (chip) | 18.0K 63M J RECT. | チ ッ プ 抵 抗 | | 01 |
| R536 | RD357180 | Carbon Resistor (chip) | 18.0K 63M J RECT. | チ ッ プ 抵 抗 | | 01 |
| R537 | RD357220 | Carbon Resistor (chip) | 22.0K 63M J RECT. | チ ッ プ 抵 抗 | | 01 |
| R538 | RD357220 | Carbon Resistor (chip) | 22.0K 63M J RECT. | チ ッ プ 抵 抗 | | 01 |
| R539 | RD357390 | Carbon Resistor (chip) | 39.0K 63M J RECT. | チ ッ プ 抵 抗 | | 01 |
| R540 | RD357390 | Carbon Resistor (chip) | 39.0K 63M J RECT. | チ ッ プ 抵 抗 | | 01 |
| R541 | RD356150 | Carbon Resistor (chip) | 1.5K 63M J RECT. | チ ッ プ 抵 抗 | | 01 |
| R542 | RD356150 | Carbon Resistor (chip) | 1.5K 63M J RECT. | チ ッ プ 抵 抗 | | 01 |
| R543 | RD356100 | Carbon Resistor (chip) | 1.0K 63M J RECT. | チ ッ プ 抵 抗 | | 01 |
| R544 | RD356100 | Carbon Resistor (chip) | 1.0K 63M J RECT. | チ ッ プ 抵 抗 | | 01 |
| R551 | RD357100 | Carbon Resistor (chip) | 10.0K 63M J RECT. | チ ッ プ 抵 抗 | | 01 |
| R552 | RD357100 | Carbon Resistor (chip) | 10.0K 63M J RECT. | チ ッ プ 抵 抗 | | 01 |
| R555 | RD356470 | Carbon Resistor (chip) | 4.7K 63M J RECT. | チ ッ プ 抵 抗 | | 01 |
| R556 | RD356470 | Carbon Resistor (chip) | 4.7K 63M J RECT. | チ ッ プ 抵 抗 | | 01 |
| R559 | RD357100 | Carbon Resistor (chip) | 10.0K 63M J RECT. | チ ッ プ 抵 抗 | | 01 |
| R560 | RD357330 | Carbon Resistor (chip) | 33.0K 63M J RECT. | チ ッ プ 抵 抗 | | 01 |
| R561 | RD357100 | Carbon Resistor (chip) | 10.0K 63M J RECT. | チ ッ プ 抵 抗 | | 01 |
| R562 | RD357330 | Carbon Resistor (chip) | 33.0K 63M J RECT. | チ ッ プ 抵 抗 | | 01 |
| R567 | RD356560 | Carbon Resistor (chip) | 5.6K 63M J RECT. | チ ッ プ 抵 抗 | | 01 |
| R568 | RD356560 | Carbon Resistor (chip) | 5.6K 63M J RECT. | チ ッ プ 抵 抗 | | 01 |
| R575 | RD357180 | Carbon Resistor (chip) | 18.0K 63M J RECT. | チ ッ プ 抵 抗 | | 01 |
| R576 | RD357180 | Carbon Resistor (chip) | 18.0K 63M J RECT. | チ ッ プ 抵 抗 | | 01 |
| R583 | RD357180 | Carbon Resistor (chip) | 18.0K 63M J RECT. | チ ッ プ 抵 抗 | | 01 |
| R584 | RD357180 | Carbon Resistor (chip) | 18.0K 63M J RECT. | チ ッ プ 抵 抗 | | 01 |
| R587 | RD357220 | Carbon Resistor (chip) | 22.0K 63M J RECT. | チ ッ プ 抵 抗 | | 01 |
| R588 | RD357220 | Carbon Resistor (chip) | 22.0K 63M J RECT. | チ ッ プ 抵 抗 | | 01 |
| R593 | RD356470 | Carbon Resistor (chip) | 4.7K 63M J RECT. | チ ッ プ 抵 抗 | | 01 |
| R594 | RD356470 | Carbon Resistor (chip) | 4.7K 63M J RECT. | チ ッ プ 抵 抗 | | 01 |
| R599 | RD357180 | Carbon Resistor (chip) | 18.0K 63M J RECT. | チ ッ プ 抵 抗 | | 01 |
| R600 | RD357180 | Carbon Resistor (chip) | 18.0K 63M J RECT. | チ ッ プ 抵 抗 | | 01 |
| R601 | RD357120 | Carbon Resistor (chip) | 12.0K 63M J RECT. | チ ッ プ 抵 抗 | | 01 |
| R605 | RD356820 | Carbon Resistor (chip) | 8.2K 63M J RECT. | チ ッ プ 抵 抗 | | 01 |
| -608 | RD356820 | Carbon Resistor (chip) | 8.2K 63M J RECT. | チ ッ プ 抵 抗 | | 01 |

*: New Parts

RANK: Japan only

MAIN8U

| REF NO. | PART NO. | DESCRIPTION | 部 | 品 | 名 | REMARKS | QTY | RANK |
|---------|----------|-------------------------|--------|-------------|---------|-------------------|-----|------|
| R701 | RD354750 | Carbon Resistor (chip) | 75.0 | 63M | J RECT. | チ ッ ブ 抵 抗 | | 01 |
| -710 | RD354750 | Carbon Resistor (chip) | 75.0 | 63M | J RECT. | チ ッ ブ 抵 抗 | | 01 |
| R801 | RD358220 | Carbon Resistor (chip) | 220.0K | 63M | J RECT. | チ ッ ブ 抵 抗 | | 01 |
| R802 | RD358220 | Carbon Resistor (chip) | 220.0K | 63M | J RECT. | チ ッ ブ 抵 抗 | | 01 |
| R803 | RD357180 | Carbon Resistor (chip) | 18.0K | 63M | J RECT. | チ ッ ブ 抵 抗 | | 01 |
| -806 | RD357180 | Carbon Resistor (chip) | 18.0K | 63M | J RECT. | チ ッ ブ 抵 抗 | | 01 |
| R808 | RD357390 | Carbon Resistor (chip) | 39.0K | 63M | J RECT. | チ ッ ブ 抵 抗 | | 01 |
| R809 | RD357390 | Carbon Resistor (chip) | 39.0K | 63M | J RECT. | チ ッ ブ 抵 抗 | | 01 |
| R815 | RD356680 | Carbon Resistor (chip) | 6.8K | 63M | J RECT. | チ ッ ブ 抵 抗 | | 01 |
| R816 | RD356180 | Carbon Resistor (chip) | 1.8K | 63M | J RECT. | チ ッ ブ 抵 抗 | | 01 |
| R817 | RD356680 | Carbon Resistor (chip) | 6.8K | 63M | J RECT. | チ ッ ブ 抵 抗 | | 01 |
| R818 | RD356180 | Carbon Resistor (chip) | 1.8K | 63M | J RECT. | チ ッ ブ 抵 抗 | | 01 |
| R823 | RD357180 | Carbon Resistor (chip) | 18.0K | 63M | J RECT. | チ ッ ブ 抵 抗 | | 01 |
| -826 | RD357180 | Carbon Resistor (chip) | 18.0K | 63M | J RECT. | チ ッ ブ 抵 抗 | | 01 |
| R831 | RD356470 | Carbon Resistor (chip) | 4.7K | 63M | J RECT. | チ ッ ブ 抵 抗 | | 01 |
| R832 | RD356470 | Carbon Resistor (chip) | 4.7K | 63M | J RECT. | チ ッ ブ 抵 抗 | | 01 |
| R833 | RD356100 | Carbon Resistor (chip) | 1.0K | 63M | J RECT. | チ ッ ブ 抵 抗 | | 01 |
| R834 | RD356100 | Carbon Resistor (chip) | 1.0K | 63M | J RECT. | チ ッ ブ 抵 抗 | | 01 |
| R835 | RD357100 | Carbon Resistor (chip) | 10.0K | 63M | J RECT. | チ ッ ブ 抵 抗 | | 01 |
| -838 | RD357100 | Carbon Resistor (chip) | 10.0K | 63M | J RECT. | チ ッ ブ 抵 抗 | | 01 |
| R839 | RD358100 | Carbon Resistor (chip) | 100.0K | 63M | J RECT. | チ ッ ブ 抵 抗 | | 01 |
| -844 | RD358100 | Carbon Resistor (chip) | 100.0K | 63M | J RECT. | チ ッ ブ 抵 抗 | | 01 |
| R845 | HF455220 | Carbon Resistor | 220.0 | 1/4 J AX TP | | カ ー ボ ン 抵 抗 | | 01 |
| -848 | HF455220 | Carbon Resistor | 220.0 | 1/4 J AX TP | | カ ー ボ ン 抵 抗 | | 01 |
| R849 | RD357390 | Carbon Resistor (chip) | 39.0K | 63M | J RECT. | チ ッ ブ 抵 抗 | | 01 |
| R850 | RD357390 | Carbon Resistor (chip) | 39.0K | 63M | J RECT. | チ ッ ブ 抵 抗 | | 01 |
| R851 | RD356220 | Carbon Resistor (chip) | 2.2K | 63M | J RECT. | チ ッ ブ 抵 抗 | | 01 |
| R852 | RD356220 | Carbon Resistor (chip) | 2.2K | 63M | J RECT. | チ ッ ブ 抵 抗 | | 01 |
| R853 | RD356470 | Carbon Resistor (chip) | 4.7K | 63M | J RECT. | チ ッ ブ 抵 抗 | | 01 |
| R854 | RD356270 | Carbon Resistor (chip) | 2.7K | 63M | J RECT. | チ ッ ブ 抵 抗 | | 01 |
| R855 | RD356470 | Carbon Resistor (chip) | 4.7K | 63M | J RECT. | チ ッ ブ 抵 抗 | | 01 |
| R856 | RD356270 | Carbon Resistor (chip) | 2.7K | 63M | J RECT. | チ ッ ブ 抵 抗 | | 01 |
| R857 | RD356470 | Carbon Resistor (chip) | 4.7K | 63M | J RECT. | チ ッ ブ 抵 抗 | | 01 |
| R858 | RD356470 | Carbon Resistor (chip) | 4.7K | 63M | J RECT. | チ ッ ブ 抵 抗 | | 01 |
| R859 | RD357330 | Carbon Resistor (chip) | 33.0K | 63M | J RECT. | チ ッ ブ 抵 抗 | | 01 |
| -862 | RD357330 | Carbon Resistor (chip) | 33.0K | 63M | J RECT. | チ ッ ブ 抵 抗 | | 01 |
| R863 | RD357100 | Carbon Resistor (chip) | 10.0K | 63M | J RECT. | チ ッ ブ 抵 抗 | | 01 |
| R864 | RD357100 | Carbon Resistor (chip) | 10.0K | 63M | J RECT. | チ ッ ブ 抵 抗 | | 01 |
| R865 | RD358100 | Carbon Resistor (chip) | 100.0K | 63M | J RECT. | チ ッ ブ 抵 抗 | | 01 |
| R866 | RD358100 | Carbon Resistor (chip) | 100.0K | 63M | J RECT. | チ ッ ブ 抵 抗 | | 01 |
| R867 | RD356470 | Carbon Resistor (chip) | 4.7K | 63M | J RECT. | チ ッ ブ 抵 抗 | | 01 |
| R868 | RD356470 | Carbon Resistor (chip) | 4.7K | 63M | J RECT. | チ ッ ブ 抵 抗 | | 01 |
| R871 | RD356470 | Carbon Resistor (chip) | 4.7K | 63M | J RECT. | チ ッ ブ 抵 抗 | | 01 |
| R872 | RD356470 | Carbon Resistor (chip) | 4.7K | 63M | J RECT. | チ ッ ブ 抵 抗 | | 01 |
| R873 | RD357680 | Carbon Resistor (chip) | 68.0K | 63M | J RECT. | チ ッ ブ 抵 抗 | | 01 |
| R874 | RD357680 | Carbon Resistor (chip) | 68.0K | 63M | J RECT. | チ ッ ブ 抵 抗 | | 01 |
| R875 | HF455680 | Carbon Resistor | 680.0 | 1/4 J AX TP | | カ ー ボ ン 抵 抗 | | 01 |
| R876 | HF455680 | Carbon Resistor | 680.0 | 1/4 J AX TP | | カ ー ボ ン 抵 抗 | | 01 |
| R879 | HF455680 | Carbon Resistor | 680.0 | 1/4 J AX TP | | カ ー ボ ン 抵 抗 | | 01 |
| R880 | HF455680 | Carbon Resistor | 680.0 | 1/4 J AX TP | | カ ー ボ ン 抵 抗 | | 01 |
| R881 | HF456270 | Carbon Resistor | 2.7K | 1/4 J AX TP | | カ ー ボ ン 抵 抗 | | 01 |
| R882 | RD358100 | Carbon Resistor (chip) | 100.0K | 63M | J RECT. | チ ッ ブ 抵 抗 | | 01 |
| R883 | HF456270 | Carbon Resistor | 2.7K | 1/4 J AX TP | | カ ー ボ ン 抵 抗 | | 01 |
| R884 | RD358100 | Carbon Resistor (chip) | 100.0K | 63M | J RECT. | チ ッ ブ 抵 抗 | | 01 |
| R885 | RD357680 | Carbon Resistor (chip) | 68.0K | 63M | J RECT. | チ ッ ブ 抵 抗 | | 01 |
| R886 | RD357680 | Carbon Resistor (chip) | 68.0K | 63M | J RECT. | チ ッ ブ 抵 抗 | | 01 |
| R887 | HF455680 | Carbon Resistor | 680.0 | 1/4 J AX TP | | カ ー ボ ン 抵 抗 | | 01 |
| R888 | HF455680 | Carbon Resistor | 680.0 | 1/4 J AX TP | | カ ー ボ ン 抵 抗 | | 01 |
| R889 | HF456270 | Carbon Resistor | 2.7K | 1/4 J AX TP | | カ ー ボ ン 抵 抗 | | 01 |
| R890 | HF456270 | Carbon Resistor | 2.7K | 1/4 J AX TP | | カ ー ボ ン 抵 抗 | | 01 |
| R891 | HV754100 | Flame Proof C. Resistor | 10.0 | 1/4 J RX TP | | 不 燃 化 カ ー ボ ン 抵 抗 | | 01 |
| R892 | HV754100 | Flame Proof C. Resistor | 10.0 | 1/4 J RX TP | | 不 燃 化 カ ー ボ ン 抵 抗 | | 01 |
| R893 | HF456270 | Carbon Resistor | 2.7K | 1/4 J AX TP | | カ ー ボ ン 抵 抗 | | 01 |
| R894 | HV755100 | Flame Proof C. Resistor | 100.0 | 1/4 J RX TP | | 不 燃 化 カ ー ボ ン 抵 抗 | | 01 |
| R895 | HF456270 | Carbon Resistor | 2.7K | 1/4 J AX TP | | カ ー ボ ン 抵 抗 | | 01 |
| R901 | RD356680 | Carbon Resistor (chip) | 6.8K | 63M | J RECT. | チ ッ ブ 抵 抗 | | 01 |
| R902 | RD356100 | Carbon Resistor (chip) | 1.0K | 63M | J RECT. | チ ッ ブ 抵 抗 | | 01 |
| R905 | RD356820 | Carbon Resistor (chip) | 8.2K | 63M | J RECT. | チ ッ ブ 抵 抗 | | 01 |
| R906 | RD356820 | Carbon Resistor (chip) | 8.2K | 63M | J RECT. | チ ッ ブ 抵 抗 | | 01 |
| R907 | RD357470 | Carbon Resistor (chip) | 47.0K | 63M | J RECT. | チ ッ ブ 抵 抗 | | 01 |

*: New Parts

RANK: Japan only

MAIN8U

| REF NO. | PART NO. | DESCRIPTION | 部 品 名 | REMARKS | QTY | RANK |
|---------|----------|--------------------------|--------------------|-------------------|--------------------------|------|
| R909 | RD357180 | Carbon Resistor (chip) | 18.0K 63M J RECT. | チ ッ プ 抵 抗 | | 01 |
| R911 | RD357220 | Carbon Resistor (chip) | 22.0K 63M J RECT. | チ ッ プ 抵 抗 | | 01 |
| R912 | RD357100 | Carbon Resistor (chip) | 10.0K 63M J RECT. | チ ッ プ 抵 抗 | | 01 |
| R913 | RD358100 | Carbon Resistor (chip) | 100.0K 63M J RECT. | チ ッ プ 抵 抗 | | 01 |
| R914 | HF456270 | Carbon Resistor | 2.7K 1/4 J AX TP | カ ー ボ ン 抵 抗 | | 01 |
| -918 | HF456270 | Carbon Resistor | 2.7K 1/4 J AX TP | カ ー ボ ン 抵 抗 | | 01 |
| R951 | RD357100 | Carbon Resistor (chip) | 10.0K 63M J RECT. | チ ッ プ 抵 抗 | | 01 |
| R952 | RD356820 | Carbon Resistor (chip) | 8.2K 63M J RECT. | チ ッ プ 抵 抗 | | 01 |
| R953 | RD357100 | Carbon Resistor (chip) | 10.0K 63M J RECT. | チ ッ プ 抵 抗 | | 01 |
| R954 | RD356820 | Carbon Resistor (chip) | 8.2K 63M J RECT. | チ ッ プ 抵 抗 | | 01 |
| RJ01 | RD350000 | Carbon Resistor (chip) | 0 63M J RECT. | チ ッ プ 抵 抗 | | 01 |
| -04 | RD350000 | Carbon Resistor (chip) | 0 63M J RECT. | チ ッ プ 抵 抗 | | 01 |
| RJ06 | RD350000 | Carbon Resistor (chip) | 0 63M J RECT. | チ ッ プ 抵 抗 | | 01 |
| RJ08 | RD350000 | Carbon Resistor (chip) | 0 63M J RECT. | チ ッ プ 抵 抗 | | 01 |
| -10 | RD350000 | Carbon Resistor (chip) | 0 63M J RECT. | チ ッ プ 抵 抗 | | 01 |
| RJ13 | RD350000 | Carbon Resistor (chip) | 0 63M J RECT. | チ ッ プ 抵 抗 | | 01 |
| -15 | RD350000 | Carbon Resistor (chip) | 0 63M J RECT. | チ ッ プ 抵 抗 | | 01 |
| RJ17 | RD350000 | Carbon Resistor (chip) | 0 63M J RECT. | チ ッ プ 抵 抗 | | 01 |
| RJ19 | RD350000 | Carbon Resistor (chip) | 0 63M J RECT. | チ ッ プ 抵 抗 | | 01 |
| SW101 | WH918700 | Push Switch | PS-22E85L-02 | ブ ッ シ ュ S W | 80 (CH1) | |
| SW201 | WH918700 | Push Switch | PS-22E85L-02 | ブ ッ シ ュ S W | 80 (CH2) | |
| SW301 | WH918700 | Push Switch | PS-22E85L-02 | ブ ッ シ ュ S W | 80 (CH3/4) | |
| SW401 | WH918700 | Push Switch | PS-22E85L-02 | ブ ッ シ ュ S W | 80 (CH5/6) | |
| SW551 | WH918800 | Push Switch | PS-42E85L-02 | ブ ッ シ ュ S W | TO STEREO/TO MONITOR | |
| SW801 | WH918700 | Push Switch | PS-22E85L-02 | ブ ッ シ ュ S W | PHANTOM +48V/CH1-5/6 MIC | |
| SW901 | WH926200 | Push Switch | PS-22E85NL-02 | ブ ッ シ ュ S W | ON | |
| VR101 | WH249400 | Rotary Variable Resistor | RD 20.0K XV09213YN | ロ ー タ リ ー V R | GAIN(CH1) | |
| VR102 | WH410900 | Rotary Variable Resistor | B 50.0K XV012313YG | 二 連 ロ ー タ リ ー V R | COMP(CH1) | |
| VR151 | V8264700 | Rotary Variable Resistor | B 50.0K XV09213YNP | ロ ー タ リ ー V R | LOW(CH1) | 03 |
| VR152 | V8264700 | Rotary Variable Resistor | B 50.0K XV09213YNP | ロ ー タ リ ー V R | MID(CH1) | 03 |
| VR153 | V8264700 | Rotary Variable Resistor | B 50.0K XV09213YNP | ロ ー タ リ ー V R | HIGH(CH1) | 03 |
| VR154 | V8264600 | Rotary Variable Resistor | A 20.0K XV09213YNP | ロ ー タ リ ー V R | LEVEL(CH1) | 03 |
| VR155 | V9886100 | Rotary Variable Resistor | 15A15C C20K XV0123 | 2 連 ロ ー タ リ ー V R | PAN(CH1) | 04 |
| VR156 | V9791000 | Rotary Variable Resistor | B 20.0K XV09213YNP | ロ ー タ リ ー V R | EFFECT(CH1) | 03 |
| VR201 | WH249400 | Rotary Variable Resistor | RD 20.0K XV09213YN | ロ ー タ リ ー V R | GAIN(CH2) | |
| VR202 | WH410900 | Rotary Variable Resistor | B 50.0K XV012313YG | 二 連 ロ ー タ リ ー V R | COMP(CH2) | |
| VR251 | V8264700 | Rotary Variable Resistor | B 50.0K XV09213YNP | ロ ー タ リ ー V R | LOW(CH2) | 03 |
| VR252 | V8264700 | Rotary Variable Resistor | B 50.0K XV09213YNP | ロ ー タ リ ー V R | MID(CH2) | 03 |
| VR253 | V8264700 | Rotary Variable Resistor | B 50.0K XV09213YNP | ロ ー タ リ ー V R | HIGH(CH2) | 03 |
| VR254 | V8264600 | Rotary Variable Resistor | A 20.0K XV09213YNP | ロ ー タ リ ー V R | LEVEL(CH2) | 03 |
| VR255 | V9886100 | Rotary Variable Resistor | 15A15C C20K XV0123 | 2 連 ロ ー タ リ ー V R | PAN(CH2) | 04 |
| VR256 | V9791000 | Rotary Variable Resistor | B 20.0K XV09213YNP | ロ ー タ リ ー V R | EFFECT(CH2) | 03 |
| VR301 | WF704100 | Rotary Variable Resistor | C 20.0K XV012313YG | 2 連 ロ ー タ リ ー V R | GAIN(CH3/4) | 01 |
| VR351 | V9791200 | Rotary Variable Resistor | 1B 50K XV012313YGP | 2 連 ロ ー タ リ ー V R | LOW(CH3/4) | 04 |
| VR352 | V9791200 | Rotary Variable Resistor | 1B 50K XV012313YGP | 2 連 ロ ー タ リ ー V R | MID(CH3/4) | 04 |
| VR353 | V9791200 | Rotary Variable Resistor | 1B 50K XV012313YGP | 2 連 ロ ー タ リ ー V R | HIGH(CH3/4) | 04 |
| VR354 | V8265100 | Rotary Variable Resistor | A 20.0K XV012313 | 2 連 ロ ー タ リ ー V R | LEVEL(CH3/4) | 04 |
| VR355 | V9886100 | Rotary Variable Resistor | 15A15C C20K XV0123 | 2 連 ロ ー タ リ ー V R | PAN/BAL(CH3/4) | 04 |
| VR356 | V9791000 | Rotary Variable Resistor | B 20.0K XV09213YNP | ロ ー タ リ ー V R | EFFECT(CH3/4) | 03 |
| VR401 | WF704100 | Rotary Variable Resistor | C 20.0K XV012313YG | 2 連 ロ ー タ リ ー V R | GAIN(CH5/6) | 01 |
| VR451 | V9791200 | Rotary Variable Resistor | 1B 50K XV012313YGP | 2 連 ロ ー タ リ ー V R | LOW(CH5/6) | 04 |
| VR452 | V9791200 | Rotary Variable Resistor | 1B 50K XV012313YGP | 2 連 ロ ー タ リ ー V R | MID(CH5/6) | 04 |
| VR453 | V9791200 | Rotary Variable Resistor | 1B 50K XV012313YGP | 2 連 ロ ー タ リ ー V R | HIGH(CH5/6) | 04 |
| VR454 | V8265100 | Rotary Variable Resistor | A 20.0K XV012313 | 2 連 ロ ー タ リ ー V R | LEVEL(CH5/6) | 04 |
| VR455 | V9886100 | Rotary Variable Resistor | 15A15C C20K XV0123 | 2 連 ロ ー タ リ ー V R | PAN/BAL(CH5/6) | 04 |
| VR456 | V9791000 | Rotary Variable Resistor | B 20.0K XV09213YNP | ロ ー タ リ ー V R | EFFECT(CH5/6) | 03 |
| VR551 | V9791200 | Rotary Variable Resistor | 1B 50K XV012313YGP | 2 連 ロ ー タ リ ー V R | LOW(CH7/8) | 04 |
| VR553 | V9791200 | Rotary Variable Resistor | 1B 50K XV012313YGP | 2 連 ロ ー タ リ ー V R | HIGH(CH7/8) | 04 |
| VR555 | V8265100 | Rotary Variable Resistor | A 20.0K XV012313 | 2 連 ロ ー タ リ ー V R | LEVEL(CH7/8) | 04 |
| VR557 | V8265100 | Rotary Variable Resistor | A 20.0K XV012313 | 2 連 ロ ー タ リ ー V R | MONITOR MIX | 04 |
| VR558 | V8265100 | Rotary Variable Resistor | A 20.0K XV012313 | 2 連 ロ ー タ リ ー V R | RETURN | 04 |
| VR559 | V9886100 | Rotary Variable Resistor | 15A15C C20K XV0123 | 2 連 ロ ー タ リ ー V R | BAL(CH7/8) | 04 |
| VR560 | V9791000 | Rotary Variable Resistor | B 20.0K XV09213YNP | ロ ー タ リ ー V R | EFFECT(CH7/8) | 03 |
| VR801 | V8265100 | Rotary Variable Resistor | A 20.0K XV012313 | 2 連 ロ ー タ リ ー V R | LEVEL(STEREO) | 04 |
| VR802 | V8265100 | Rotary Variable Resistor | A 20.0K XV012313 | 2 連 ロ ー タ リ ー V R | LEVEL(MONITOR/PHONES) | 04 |
| VR901 | V9791000 | Rotary Variable Resistor | B 20.0K XV09213YNP | ロ ー タ リ ー V R | PARAMETER | 03 |
| VR902 | V8265100 | Rotary Variable Resistor | A 20.0K XV012313 | 2 連 ロ ー タ リ ー V R | LEVEL(EFFECT RTN) | 04 |
| W101 | VI878600 | Cable Holder | 51048 8P TE | ケ ー ブ ル ホ ル ダ ー | | 01 |
| W102 | VI878600 | Cable Holder | 51048 8P TE | ケ ー ブ ル ホ ル ダ ー | | 01 |
| W151 | VI878600 | Cable Holder | 51048 8P TE | ケ ー ブ ル ホ ル ダ ー | | 01 |

*: New Parts

RANK: Japan only

MAIN8U and USB

| REF NO. | PART NO. | DESCRIPTION | | 部 品 名 | REMARKS | QTY | RANK |
|---------|----------|----------------------------|--------------------|---------------|-------------------------|-----|------|
| W152 | VI878600 | Cable Holder | 51048 8P TE | ケーブルホルダー | | | 01 |
| W501 | VI878900 | Cable Holder | 51048 11P TE | ケーブルホルダー | | | 01 |
| W551 | VI878900 | Cable Holder | 51048 11P TE | ケーブルホルダー | | | 01 |
| W701 | VI878700 | Cable Holder | 51048 9P TE | ケーブルホルダー | | | 01 |
| W702 | VI878900 | Cable Holder | 51048 11P TE | ケーブルホルダー | | | 01 |
| W801 | VI878700 | Cable Holder | 51048 9P TE | ケーブルホルダー | | | 01 |
| W802 | VI878900 | Cable Holder | 51048 11P TE | ケーブルホルダー | | | 01 |
| ZD51 | VG442900 | Zener Diode | MTZ J 27B 27.0V TP | ツェナーダイオード | | | 01 |
| ZD52 | VG443700 | Zener Diode | MTZ J 33B 33.0V TP | ツェナーダイオード | | | 01 |
| ZD53 | VG441100 | Zener Diode | MTZ J 16B 16.0V TP | ツェナーダイオード | | | 01 |
| ZD54 | VG442900 | Zener Diode | MTZ J 27B 27.0V TP | ツェナーダイオード | | | 01 |
| * C101 | WG336000 | Circuit Board | USB | U S B シ ー ト | (WG33610)(X7196C0) | | |
| C104 | US065100 | Ceramic Capacitor-F (chip) | 0.100 50V Z RECT. | チップセラ F | | | |
| C108 | UF037100 | Electrolytic Cap. (chip) | 10 16V | チップケミコン | | | 01 |
| C109 | UF037100 | Electrolytic Cap. (chip) | 10 16V | チップケミコン | | | 01 |
| C110 | UF066100 | Electrolytic Cap. (chip) | 1 50V | チップケミコン | | | 01 |
| C111 | US063680 | Ceramic Capacitor-B (chip) | 6800P 50V K RECT. | チップセラ (B) | | | 01 |
| C112 | US063680 | Ceramic Capacitor-B (chip) | 6800P 50V K RECT. | チップセラ (B) | | | 01 |
| C113 | US064100 | Ceramic Capacitor-B (chip) | 0.0100 50V K RECT. | チップセラ (B) | | | 01 |
| C114 | US064100 | Ceramic Capacitor-B (chip) | 0.0100 50V K RECT. | チップセラ (B) | | | 01 |
| C115 | US063150 | Ceramic Capacitor-B (chip) | 1500P 50V K RECT. | チップセラ (B) | | | 01 |
| C116 | US063150 | Ceramic Capacitor-B (chip) | 1500P 50V K RECT. | チップセラ (B) | | | 01 |
| C117 | UF017470 | Electrolytic Cap. (chip) | 47 6.3V | チップケミコン | | | 01 |
| C118 | US064100 | Ceramic Capacitor-B (chip) | 0.0100 50V K RECT. | チップセラ (B) | | | 01 |
| C119 | US064100 | Ceramic Capacitor-B (chip) | 0.0100 50V K RECT. | チップセラ (B) | | | 01 |
| C121 | UF037100 | Electrolytic Cap. (chip) | 10 16V | チップケミコン | | | 01 |
| C122 | UF037100 | Electrolytic Cap. (chip) | 10 16V | チップケミコン | | | 01 |
| C125 | UF037100 | Electrolytic Cap. (chip) | 10 16V | チップケミコン | | | 01 |
| C126 | US126100 | Ceramic Capacitor-F (chip) | 1.0000 10V Z RECT. | チップセラ F | | | 01 |
| C128 | US126100 | Ceramic Capacitor-F (chip) | 1.0000 10V Z RECT. | チップセラ F | | | 01 |
| C130 | US126100 | Ceramic Capacitor-F (chip) | 1.0000 10V Z RECT. | チップセラ F | | | 01 |
| C132 | US126100 | Ceramic Capacitor-F (chip) | 1.0000 10V Z RECT. | チップセラ F | | | 01 |
| C134 | UF037100 | Electrolytic Cap. (chip) | 10 16V | チップケミコン | | | 01 |
| C135 | UF037100 | Electrolytic Cap. (chip) | 10 16V | チップケミコン | | | 01 |
| C137 | US063150 | Ceramic Capacitor-B (chip) | 1500P 50V K RECT. | チップセラ (B) | | | 01 |
| C138 | US063150 | Ceramic Capacitor-B (chip) | 1500P 50V K RECT. | チップセラ (B) | | | 01 |
| C139 | US061180 | Ceramic Capacitor-CH(chip) | 18P 50V J RECT. | チップセラ (C H) | | | 01 |
| C140 | US061180 | Ceramic Capacitor-CH(chip) | 18P 50V J RECT. | チップセラ (C H) | | | 01 |
| C141 | US061680 | Ceramic Capacitor-SL(chip) | 68P 50V J RECT. | チップセラ (S L) | | | 01 |
| C142 | US061680 | Ceramic Capacitor-SL(chip) | 68P 50V J RECT. | チップセラ (S L) | | | 01 |
| C143 | UF037100 | Electrolytic Cap. (chip) | 10 16V | チップケミコン | | | 01 |
| C144 | UF037100 | Electrolytic Cap. (chip) | 10 16V | チップケミコン | | | 01 |
| C150 | US126100 | Ceramic Capacitor-F (chip) | 1.0000 10V Z RECT. | チップセラ F | | | 01 |
| CN101 | VB858800 | Base Post Connector | PH 9P SE | ベースポスト | | | 01 |
| D101 | VT332900 | Diode | 1SS355 TE-17 TP | ダイオード | | | 01 |
| IC101 | X7143A00 | IC | PCM2900E/2K | I C | USB PROTOCOL CONTROLLER | | 09 |
| IC102 | X7256A00 | IC | BA00CC0WFP-E2 3-15 | I C | REGULATOR 3V to 15V | | |
| IC103 | X3505A00 | IC | NJM2068M-D(TE2) | I C | OP AMP | | 02 |
| IC104 | X3505A00 | IC | NJM2068M-D(TE2) | I C | OP AMP | | 02 |
| JK101 | V6802600 | USB Jack | USB 4P SE | U S B ジ ャ ッ ク | USB | | 02 |
| R106 | RD357100 | Carbon Resistor (chip) | 10.0K 63M J RECT. | チップ抵抗 | | | 01 |
| R107 | RD357100 | Carbon Resistor (chip) | 10.0K 63M J RECT. | チップ抵抗 | | | 01 |
| R108 | RD356560 | Carbon Resistor (chip) | 5.6K 63M J RECT. | チップ抵抗 | | | 01 |
| R109 | RD356560 | Carbon Resistor (chip) | 5.6K 63M J RECT. | チップ抵抗 | | | 01 |
| R110 | RD356100 | Carbon Resistor (chip) | 1.0K 63M J RECT. | チップ抵抗 | | | 01 |
| R111 | RD356100 | Carbon Resistor (chip) | 1.0K 63M J RECT. | チップ抵抗 | | | 01 |
| R112 | RD354220 | Carbon Resistor (chip) | 22.0 63M J RECT. | チップ抵抗 | | | 01 |
| R114 | RF357120 | Carbon Resistor (chip) | 12.0K : D 1608 | チップ抵抗 | | | 01 |
| R115 | RF355680 | Carbon Resistor (chip) | 680.0 : D 1608 | チップ抵抗 | | | 01 |
| R116 | RF356620 | Carbon Resistor (chip) | 6.2K : D 1608 | チップ抵抗 | | | 01 |
| R117 | RD356150 | Carbon Resistor (chip) | 1.5K 63M J RECT. | チップ抵抗 | | | 01 |
| R118 | RD356100 | Carbon Resistor (chip) | 1.0K 63M J RECT. | チップ抵抗 | | | 01 |
| R119 | RD356100 | Carbon Resistor (chip) | 1.0K 63M J RECT. | チップ抵抗 | | | 01 |
| R120 | RD354220 | Carbon Resistor (chip) | 22.0 63M J RECT. | チップ抵抗 | | | 01 |
| R131 | RD357100 | Carbon Resistor (chip) | 10.0K 63M J RECT. | チップ抵抗 | | | 01 |
| R132 | RD357100 | Carbon Resistor (chip) | 10.0K 63M J RECT. | チップ抵抗 | | | 01 |
| R133 | RD356100 | Carbon Resistor (chip) | 1.0K 63M J RECT. | チップ抵抗 | | | 01 |
| R134 | RD356560 | Carbon Resistor (chip) | 5.6K 63M J RECT. | チップ抵抗 | | | 01 |

*: New Parts

RANK: Japan only

ELECTRICAL PARTS (電気部品) (MW10C)

MAIN10U

| REF NO. | PART NO. | DESCRIPTION | 部 品 名 | REMARKS | QTY | RANK |
|---------|----------|----------------------------|--------------------|---------------------------|-----|------|
| | | ELECTRICAL PARTS | 電 気 部 品 | MW10C | | |
| * | WH108500 | Circuit Board | MAIN10U | MAIN10Uシート (X7685D0) | | |
| * | WG336000 | Circuit Board | USB | USBシート (WG33610)(X7196C0) | | |
| * | WH108500 | Circuit Board | MAIN10U | MAIN10Uシート (X7685D0) | | |
| 50 | -- | Silicon Grease | G-746 | シリコングリス (0412125) | | |
| 70 | -- | Jumper Wire | 0.55 TIN | ジャンパー線 (VA07890) | | |
| 80 | -- | Heat Sink | 8 | ヒートシンク8 (WK39650) | | |
| 85 | -- | Tape | | 切り粉よけテープ (WJ15250) | | |
| 90 | -- | TR Holder | | TRホルダー (WH36260) | | |
| 100 | WE987400 | Bind Head Tapping Screw-B | 3.0X12 MFZN2W3 | Bタイト+BIND | 2 | 01 |
| 120 | WF765800 | Spacer | LED3 | スペースLED3 | 5 | |
| 130 | -- | Jumper Wire | SMV2J P=2.0 6-50 | ジャンパーリード (WH51440) | | |
| 140 | -- | Jumper Wire | SMV2J P=2.0 8-50 | ジャンパーリード (WH51450) | 2 | |
| 150 | -- | Jumper Wire | SMV2J P=2.0 11-50 | ジャンパーリード (WH51460) | 2 | |
| 200 | -- | Connector Assembly | AC | A C 束 線 (WH54770) | | |
| 200a | V7396500 | Power Switch | SDDJE30200 | シーソーSW | | |
| 300 | WH362000 | Knob Joint | VRS | ノブ継ぎ手VRS | 6 | |
| C01 | WF305700 | Ceramic Capacitor-E | 4700P 1KV Z RX TP | セラコン(E) | | |
| C02 | WF305700 | Ceramic Capacitor-E | 4700P 1KV Z RX TP | セラコン(E) | | |
| C03 | UR659100 | Electrolytic Cap. | 1000 35.0V RX ST | ケミコン | | 01 |
| -06 | UR659100 | Electrolytic Cap. | 1000 35.0V RX ST | ケミコン | | 01 |
| C08 | US065100 | Ceramic Capacitor-F (chip) | 0.100 50V Z RECT. | チップセラF | | |
| C09 | US065100 | Ceramic Capacitor-F (chip) | 0.100 50V Z RECT. | チップセラF | | |
| C13 | UR857470 | Electrolytic Cap. | 47.00 35.0V RX TP | ケミコン | | 01 |
| C14 | UR857470 | Electrolytic Cap. | 47.00 35.0V RX TP | ケミコン | | 01 |
| C51 | UR897470 | Electrolytic Cap. | 47.0 100.0V RX TP | ケミコン | | 01 |
| C52 | UR897470 | Electrolytic Cap. | 47.0 100.0V RX TP | ケミコン | | 01 |
| C53 | UR896470 | Electrolytic Cap. | 4.7 100.0V RX TP | ケミコン | | 01 |
| C54 | US065100 | Ceramic Capacitor-F (chip) | 0.100 50V Z RECT. | チップセラF | | |
| C55 | US065100 | Ceramic Capacitor-F (chip) | 0.100 50V Z RECT. | チップセラF | | |
| C56 | UR877100 | Electrolytic Cap. | 10.00 63.0V RX TP | ケミコン | | 01 |
| C101 | UR877100 | Electrolytic Cap. | 10.00 63.0V RX TP | ケミコン | | 01 |
| C102 | WH167700 | Electrolytic Cap. | 10.00 50.0V TATETP | ケミコン | | |
| C103 | WH167700 | Electrolytic Cap. | 10.00 50.0V TATETP | ケミコン | | |
| C104 | UR867100 | Electrolytic Cap. | 10.00 50.0V RX TP | ケミコン | | 01 |
| C105 | UR867100 | Electrolytic Cap. | 10.00 50.0V RX TP | ケミコン | | 01 |
| C106 | US062470 | Ceramic Capacitor-SL(chip) | 470P 50V J RECT. | チップセラ(SL) | | 01 |
| -108 | US062470 | Ceramic Capacitor-SL(chip) | 470P 50V J RECT. | チップセラ(SL) | | 01 |
| C109 | UR828470 | Electrolytic Cap. | 470.00 10.0V RX TP | ケミコン | | 01 |
| C110 | US062470 | Ceramic Capacitor-SL(chip) | 470P 50V J RECT. | チップセラ(SL) | | 01 |
| C111 | US061330 | Ceramic Capacitor-CH(chip) | 33P 50V J RECT. | チップセラ(CH) | | 01 |
| C112 | US062100 | Ceramic Capacitor-SL(chip) | 100P 50V J RECT. | チップセラ(SL) | | 01 |
| C113 | US061330 | Ceramic Capacitor-CH(chip) | 33P 50V J RECT. | チップセラ(CH) | | 01 |
| C114 | UR867100 | Electrolytic Cap. | 10.00 50.0V RX TP | ケミコン | | 01 |
| C115 | UA654820 | Mylar Capacitor | 0.0820 50V J RX TP | マイラコン | | 01 |
| C116 | UA654820 | Mylar Capacitor | 0.0820 50V J RX TP | マイラコン | | 01 |
| C117 | US062100 | Ceramic Capacitor-SL(chip) | 100P 50V J RECT. | チップセラ(SL) | | 01 |
| C118 | UR867100 | Electrolytic Cap. | 10.00 50.0V RX TP | ケミコン | | 01 |
| C119 | UR857470 | Electrolytic Cap. | 47.00 35.0V RX TP | ケミコン | | 01 |
| C120 | UR857470 | Electrolytic Cap. | 47.00 35.0V RX TP | ケミコン | | 01 |
| C121 | US062100 | Ceramic Capacitor-SL(chip) | 100P 50V J RECT. | チップセラ(SL) | | 01 |
| C122 | US061220 | Ceramic Capacitor-CH(chip) | 22P 50V J RECT. | チップセラ(CH) | | 01 |
| C123 | UR857470 | Electrolytic Cap. | 47.00 35.0V RX TP | ケミコン | | 01 |
| C125 | US061680 | Ceramic Capacitor-SL(chip) | 68P 50V J RECT. | チップセラ(SL) | | 01 |
| C126 | UR838100 | Electrolytic Cap. | 100.00 16.0V RX TP | ケミコン | | 01 |
| C127 | US064100 | Ceramic Capacitor-B (chip) | 0.0100 50V K RECT. | チップセラ(B) | | 01 |
| C128 | US064100 | Ceramic Capacitor-B (chip) | 0.0100 50V K RECT. | チップセラ(B) | | 01 |
| C129 | UR838100 | Electrolytic Cap. | 100.00 16.0V RX TP | ケミコン | | 01 |
| C130 | US064100 | Ceramic Capacitor-B (chip) | 0.0100 50V K RECT. | チップセラ(B) | | 01 |
| -137 | US064100 | Ceramic Capacitor-B (chip) | 0.0100 50V K RECT. | チップセラ(B) | | 01 |
| C138 | US062470 | Ceramic Capacitor-SL(chip) | 470P 50V J RECT. | チップセラ(SL) | | 01 |
| C139 | US062470 | Ceramic Capacitor-SL(chip) | 470P 50V J RECT. | チップセラ(SL) | | 01 |
| C151 | UR867100 | Electrolytic Cap. | 10.00 50.0V RX TP | ケミコン | | 01 |
| C152 | UA654150 | Mylar Capacitor | 0.0150 50V J RX TP | マイラコン | | 01 |
| C153 | UA654100 | Mylar Capacitor | 0.0100 50V J RX TP | マイラコン | | 01 |
| C154 | UA654120 | Mylar Capacitor | 0.0120 50V J RX TP | マイラコン | | 01 |
| C155 | UA653390 | Mylar Capacitor | 3900P 50V J RX TP | マイラコン | | 01 |
| C156 | US061330 | Ceramic Capacitor-CH(chip) | 33P 50V J RECT. | チップセラ(CH) | | 01 |
| C157 | US062100 | Ceramic Capacitor-SL(chip) | 100P 50V J RECT. | チップセラ(SL) | | 01 |

*: New Parts

RANK: Japan only

MAIN10U

| REF NO. | PART NO. | DESCRIPTION | 部 品 名 | REMARKS | QTY | RANK |
|---------|----------|----------------------------|--------------------|-------------------|-----|------|
| C158 | UR857470 | Electrolytic Cap. | 47.00 35.0V RX TP | ケ ミ コ ン | | 01 |
| C161 | US034470 | Ceramic Capacitor-B (chip) | 0.0470 16V K RECT. | チ ッ プ セ ラ (B) | | 01 |
| C162 | UR867100 | Electrolytic Cap. | 10.00 50.0V RX TP | ケ ミ コ ン | | 01 |
| C163 | US062100 | Ceramic Capacitor-SL(chip) | 100P 50V J RECT. | チ ッ プ セ ラ (S L) | | 01 |
| C164 | US062100 | Ceramic Capacitor-SL(chip) | 100P 50V J RECT. | チ ッ プ セ ラ (S L) | | 01 |
| C165 | US061470 | Ceramic Capacitor-CH(chip) | 47P 50V J RECT. | チ ッ プ セ ラ (C H) | | 01 |
| C166 | UR857470 | Electrolytic Cap. | 47.00 35.0V RX TP | ケ ミ コ ン | | 01 |
| C167 | US064100 | Ceramic Capacitor-B (chip) | 0.0100 50V K RECT. | チ ッ プ セ ラ (B) | | 01 |
| -170 | US064100 | Ceramic Capacitor-B (chip) | 0.0100 50V K RECT. | チ ッ プ セ ラ (B) | | 01 |
| C201 | WH167700 | Electrolytic Cap. | 10.00 50.0V TATETP | ケ ミ コ ン | | |
| C202 | WH167700 | Electrolytic Cap. | 10.00 50.0V TATETP | ケ ミ コ ン | | |
| C203 | UR867100 | Electrolytic Cap. | 10.00 50.0V RX TP | ケ ミ コ ン | | 01 |
| C204 | UR867100 | Electrolytic Cap. | 10.00 50.0V RX TP | ケ ミ コ ン | | 01 |
| C205 | US062470 | Ceramic Capacitor-SL(chip) | 470P 50V J RECT. | チ ッ プ セ ラ (S L) | | 01 |
| -207 | US062470 | Ceramic Capacitor-SL(chip) | 470P 50V J RECT. | チ ッ プ セ ラ (S L) | | 01 |
| C208 | UR828470 | Electrolytic Cap. | 470.00 10.0V RX TP | ケ ミ コ ン | | 01 |
| C209 | US062470 | Ceramic Capacitor-SL(chip) | 470P 50V J RECT. | チ ッ プ セ ラ (S L) | | 01 |
| C210 | US061330 | Ceramic Capacitor-CH(chip) | 33P 50V J RECT. | チ ッ プ セ ラ (C H) | | 01 |
| C211 | US062100 | Ceramic Capacitor-SL(chip) | 100P 50V J RECT. | チ ッ プ セ ラ (S L) | | 01 |
| C212 | US061330 | Ceramic Capacitor-CH(chip) | 33P 50V J RECT. | チ ッ プ セ ラ (C H) | | 01 |
| C213 | UR867100 | Electrolytic Cap. | 10.00 50.0V RX TP | ケ ミ コ ン | | 01 |
| C214 | UA654820 | Mylar Capacitor | 0.0820 50V J RX TP | マ イ ラ ー コ ン | | 01 |
| C215 | UA654820 | Mylar Capacitor | 0.0820 50V J RX TP | マ イ ラ ー コ ン | | 01 |
| C216 | US062100 | Ceramic Capacitor-SL(chip) | 100P 50V J RECT. | チ ッ プ セ ラ (S L) | | 01 |
| C217 | UR867100 | Electrolytic Cap. | 10.00 50.0V RX TP | ケ ミ コ ン | | 01 |
| C218 | UR857470 | Electrolytic Cap. | 47.00 35.0V RX TP | ケ ミ コ ン | | 01 |
| C219 | UR857470 | Electrolytic Cap. | 47.00 35.0V RX TP | ケ ミ コ ン | | 01 |
| C220 | US062100 | Ceramic Capacitor-SL(chip) | 100P 50V J RECT. | チ ッ プ セ ラ (S L) | | 01 |
| C221 | US061220 | Ceramic Capacitor-CH(chip) | 22P 50V J RECT. | チ ッ プ セ ラ (C H) | | 01 |
| C222 | UR857470 | Electrolytic Cap. | 47.00 35.0V RX TP | ケ ミ コ ン | | 01 |
| C224 | US061680 | Ceramic Capacitor-SL(chip) | 68P 50V J RECT. | チ ッ プ セ ラ (S L) | | 01 |
| C225 | US062470 | Ceramic Capacitor-SL(chip) | 470P 50V J RECT. | チ ッ プ セ ラ (S L) | | 01 |
| C226 | US062470 | Ceramic Capacitor-SL(chip) | 470P 50V J RECT. | チ ッ プ セ ラ (S L) | | 01 |
| C251 | UR867100 | Electrolytic Cap. | 10.00 50.0V RX TP | ケ ミ コ ン | | 01 |
| C252 | UA654150 | Mylar Capacitor | 0.0150 50V J RX TP | マ イ ラ ー コ ン | | 01 |
| C253 | UA654100 | Mylar Capacitor | 0.0100 50V J RX TP | マ イ ラ ー コ ン | | 01 |
| C254 | UA654120 | Mylar Capacitor | 0.0120 50V J RX TP | マ イ ラ ー コ ン | | 01 |
| C255 | UA653390 | Mylar Capacitor | 3900P 50V J RX TP | マ イ ラ ー コ ン | | 01 |
| C256 | US061330 | Ceramic Capacitor-CH(chip) | 33P 50V J RECT. | チ ッ プ セ ラ (C H) | | 01 |
| C257 | US062100 | Ceramic Capacitor-SL(chip) | 100P 50V J RECT. | チ ッ プ セ ラ (S L) | | 01 |
| C258 | UR857470 | Electrolytic Cap. | 47.00 35.0V RX TP | ケ ミ コ ン | | 01 |
| C261 | US034470 | Ceramic Capacitor-B (chip) | 0.0470 16V K RECT. | チ ッ プ セ ラ (B) | | 01 |
| C262 | UR867100 | Electrolytic Cap. | 10.00 50.0V RX TP | ケ ミ コ ン | | 01 |
| C263 | US062100 | Ceramic Capacitor-SL(chip) | 100P 50V J RECT. | チ ッ プ セ ラ (S L) | | 01 |
| C264 | US062100 | Ceramic Capacitor-SL(chip) | 100P 50V J RECT. | チ ッ プ セ ラ (S L) | | 01 |
| C265 | US061470 | Ceramic Capacitor-CH(chip) | 47P 50V J RECT. | チ ッ プ セ ラ (C H) | | 01 |
| C266 | UR857470 | Electrolytic Cap. | 47.00 35.0V RX TP | ケ ミ コ ン | | 01 |
| C301 | US062470 | Ceramic Capacitor-SL(chip) | 470P 50V J RECT. | チ ッ プ セ ラ (S L) | | 01 |
| C302 | US062470 | Ceramic Capacitor-SL(chip) | 470P 50V J RECT. | チ ッ プ セ ラ (S L) | | 01 |
| C303 | WH167700 | Electrolytic Cap. | 10.00 50.0V TATETP | ケ ミ コ ン | | |
| C304 | WH167700 | Electrolytic Cap. | 10.00 50.0V TATETP | ケ ミ コ ン | | |
| C305 | UR867100 | Electrolytic Cap. | 10.00 50.0V RX TP | ケ ミ コ ン | | 01 |
| C306 | UR867100 | Electrolytic Cap. | 10.00 50.0V RX TP | ケ ミ コ ン | | 01 |
| C307 | US062470 | Ceramic Capacitor-SL(chip) | 470P 50V J RECT. | チ ッ プ セ ラ (S L) | | 01 |
| -309 | US062470 | Ceramic Capacitor-SL(chip) | 470P 50V J RECT. | チ ッ プ セ ラ (S L) | | 01 |
| C313 | UR828470 | Electrolytic Cap. | 470.00 10.0V RX TP | ケ ミ コ ン | | 01 |
| C314 | UR828470 | Electrolytic Cap. | 470.00 10.0V RX TP | ケ ミ コ ン | | 01 |
| C315 | US062470 | Ceramic Capacitor-SL(chip) | 470P 50V J RECT. | チ ッ プ セ ラ (S L) | | 01 |
| C316 | US062100 | Ceramic Capacitor-SL(chip) | 100P 50V J RECT. | チ ッ プ セ ラ (S L) | | 01 |
| C317 | US062100 | Ceramic Capacitor-SL(chip) | 100P 50V J RECT. | チ ッ プ セ ラ (S L) | | 01 |
| -320 | US062100 | Ceramic Capacitor-SL(chip) | 100P 50V J RECT. | チ ッ プ セ ラ (S L) | | 01 |
| C321 | US061470 | Ceramic Capacitor-CH(chip) | 47P 50V J RECT. | チ ッ プ セ ラ (C H) | | 01 |
| C322 | US061470 | Ceramic Capacitor-CH(chip) | 47P 50V J RECT. | チ ッ プ セ ラ (C H) | | 01 |
| C323 | UR867100 | Electrolytic Cap. | 10.00 50.0V RX TP | ケ ミ コ ン | | 01 |
| C324 | UA654820 | Mylar Capacitor | 0.0820 50V J RX TP | マ イ ラ ー コ ン | | 01 |
| C325 | UA654820 | Mylar Capacitor | 0.0820 50V J RX TP | マ イ ラ ー コ ン | | 01 |
| C326 | US062100 | Ceramic Capacitor-SL(chip) | 100P 50V J RECT. | チ ッ プ セ ラ (S L) | | 01 |
| C327 | UR867100 | Electrolytic Cap. | 10.00 50.0V RX TP | ケ ミ コ ン | | 01 |
| C329 | US064100 | Ceramic Capacitor-B (chip) | 0.0100 50V K RECT. | チ ッ プ セ ラ (B) | | 01 |
| C330 | US064100 | Ceramic Capacitor-B (chip) | 0.0100 50V K RECT. | チ ッ プ セ ラ (B) | | 01 |

*: New Parts

RANK: Japan only

MAIN10U

| REF NO. | PART NO. | DESCRIPTION | 部 品 名 | REMARKS | QTY | RANK |
|---------|----------|----------------------------|--------------------|-------------------|-----|------|
| C332 | US064100 | Ceramic Capacitor-B (chip) | 0.0100 50V K RECT. | チ ッ プ セ ラ (B) | | 01 |
| C333 | US064100 | Ceramic Capacitor-B (chip) | 0.0100 50V K RECT. | チ ッ プ セ ラ (B) | | 01 |
| C351 | UR867100 | Electrolytic Cap. | 10.00 50.0V RX TP | ケ ミ コ ン | | 01 |
| C352 | UR867100 | Electrolytic Cap. | 10.00 50.0V RX TP | ケ ミ コ ン | | 01 |
| C353 | UA654150 | Mylar Capacitor | 0.0150 50V J RX TP | マ イ ラ - コ ン | | 01 |
| C354 | UA654150 | Mylar Capacitor | 0.0150 50V J RX TP | マ イ ラ - コ ン | | 01 |
| C355 | UA654100 | Mylar Capacitor | 0.0100 50V J RX TP | マ イ ラ - コ ン | | 01 |
| C356 | UA654100 | Mylar Capacitor | 0.0100 50V J RX TP | マ イ ラ - コ ン | | 01 |
| C357 | UA654120 | Mylar Capacitor | 0.0120 50V J RX TP | マ イ ラ - コ ン | | 01 |
| C358 | UA654120 | Mylar Capacitor | 0.0120 50V J RX TP | マ イ ラ - コ ン | | 01 |
| C359 | UA653390 | Mylar Capacitor | 3900P 50V J RX TP | マ イ ラ - コ ン | | 01 |
| C360 | UA653390 | Mylar Capacitor | 3900P 50V J RX TP | マ イ ラ - コ ン | | 01 |
| C361 | US061330 | Ceramic Capacitor-CH(chip) | 33P 50V J RECT. | チ ッ プ セ ラ (C H) | | 01 |
| C362 | US062100 | Ceramic Capacitor-SL(chip) | 100P 50V J RECT. | チ ッ プ セ ラ (S L) | | 01 |
| C363 | US061330 | Ceramic Capacitor-CH(chip) | 33P 50V J RECT. | チ ッ プ セ ラ (C H) | | 01 |
| C364 | US062100 | Ceramic Capacitor-SL(chip) | 100P 50V J RECT. | チ ッ プ セ ラ (S L) | | 01 |
| C365 | UR857470 | Electrolytic Cap. | 47.00 35.0V RX TP | ケ ミ コ ン | | 01 |
| C366 | UR857470 | Electrolytic Cap. | 47.00 35.0V RX TP | ケ ミ コ ン | | 01 |
| C368 | US034470 | Ceramic Capacitor-B (chip) | 0.0470 16V K RECT. | チ ッ プ セ ラ (B) | | 01 |
| C369 | UR867100 | Electrolytic Cap. | 10.00 50.0V RX TP | ケ ミ コ ン | | 01 |
| C370 | UR867100 | Electrolytic Cap. | 10.00 50.0V RX TP | ケ ミ コ ン | | 01 |
| C373 | US062100 | Ceramic Capacitor-SL(chip) | 100P 50V J RECT. | チ ッ プ セ ラ (S L) | | 01 |
| C374 | US062100 | Ceramic Capacitor-SL(chip) | 100P 50V J RECT. | チ ッ プ セ ラ (S L) | | 01 |
| C375 | US061470 | Ceramic Capacitor-CH(chip) | 47P 50V J RECT. | チ ッ プ セ ラ (C H) | | 01 |
| C376 | US061470 | Ceramic Capacitor-CH(chip) | 47P 50V J RECT. | チ ッ プ セ ラ (C H) | | 01 |
| C377 | UR857470 | Electrolytic Cap. | 47.00 35.0V RX TP | ケ ミ コ ン | | 01 |
| C378 | UR857470 | Electrolytic Cap. | 47.00 35.0V RX TP | ケ ミ コ ン | | 01 |
| C379 | US064100 | Ceramic Capacitor-B (chip) | 0.0100 50V K RECT. | チ ッ プ セ ラ (B) | | 01 |
| -382 | US064100 | Ceramic Capacitor-B (chip) | 0.0100 50V K RECT. | チ ッ プ セ ラ (B) | | 01 |
| C401 | US062470 | Ceramic Capacitor-SL(chip) | 470P 50V J RECT. | チ ッ プ セ ラ (S L) | | 01 |
| C402 | US062470 | Ceramic Capacitor-SL(chip) | 470P 50V J RECT. | チ ッ プ セ ラ (S L) | | 01 |
| C403 | WH167700 | Electrolytic Cap. | 10.00 50.0V TATETP | ケ ミ コ ン | | 01 |
| C404 | WH167700 | Electrolytic Cap. | 10.00 50.0V TATETP | ケ ミ コ ン | | 01 |
| C405 | UR867100 | Electrolytic Cap. | 10.00 50.0V RX TP | ケ ミ コ ン | | 01 |
| C406 | UR867100 | Electrolytic Cap. | 10.00 50.0V RX TP | ケ ミ コ ン | | 01 |
| C407 | US062470 | Ceramic Capacitor-SL(chip) | 470P 50V J RECT. | チ ッ プ セ ラ (S L) | | 01 |
| -409 | US062470 | Ceramic Capacitor-SL(chip) | 470P 50V J RECT. | チ ッ プ セ ラ (S L) | | 01 |
| C413 | UR828470 | Electrolytic Cap. | 470.00 10.0V RX TP | ケ ミ コ ン | | 01 |
| C414 | UR828470 | Electrolytic Cap. | 470.00 10.0V RX TP | ケ ミ コ ン | | 01 |
| C415 | US062470 | Ceramic Capacitor-SL(chip) | 470P 50V J RECT. | チ ッ プ セ ラ (S L) | | 01 |
| C416 | US062100 | Ceramic Capacitor-SL(chip) | 100P 50V J RECT. | チ ッ プ セ ラ (S L) | | 01 |
| -420 | US062100 | Ceramic Capacitor-SL(chip) | 100P 50V J RECT. | チ ッ プ セ ラ (S L) | | 01 |
| C421 | US061470 | Ceramic Capacitor-CH(chip) | 47P 50V J RECT. | チ ッ プ セ ラ (C H) | | 01 |
| C422 | US061470 | Ceramic Capacitor-CH(chip) | 47P 50V J RECT. | チ ッ プ セ ラ (C H) | | 01 |
| C423 | UR867100 | Electrolytic Cap. | 10.00 50.0V RX TP | ケ ミ コ ン | | 01 |
| C424 | UA654820 | Mylar Capacitor | 0.0820 50V J RX TP | マ イ ラ - コ ン | | 01 |
| C425 | UA654820 | Mylar Capacitor | 0.0820 50V J RX TP | マ イ ラ - コ ン | | 01 |
| C426 | US062100 | Ceramic Capacitor-SL(chip) | 100P 50V J RECT. | チ ッ プ セ ラ (S L) | | 01 |
| C427 | UR867100 | Electrolytic Cap. | 10.00 50.0V RX TP | ケ ミ コ ン | | 01 |
| C429 | US064100 | Ceramic Capacitor-B (chip) | 0.0100 50V K RECT. | チ ッ プ セ ラ (B) | | 01 |
| C430 | US064100 | Ceramic Capacitor-B (chip) | 0.0100 50V K RECT. | チ ッ プ セ ラ (B) | | 01 |
| C432 | US064100 | Ceramic Capacitor-B (chip) | 0.0100 50V K RECT. | チ ッ プ セ ラ (B) | | 01 |
| C433 | US064100 | Ceramic Capacitor-B (chip) | 0.0100 50V K RECT. | チ ッ プ セ ラ (B) | | 01 |
| C451 | UR867100 | Electrolytic Cap. | 10.00 50.0V RX TP | ケ ミ コ ン | | 01 |
| C452 | UR867100 | Electrolytic Cap. | 10.00 50.0V RX TP | ケ ミ コ ン | | 01 |
| C453 | UA654150 | Mylar Capacitor | 0.0150 50V J RX TP | マ イ ラ - コ ン | | 01 |
| C454 | UA654150 | Mylar Capacitor | 0.0150 50V J RX TP | マ イ ラ - コ ン | | 01 |
| C455 | UA654100 | Mylar Capacitor | 0.0100 50V J RX TP | マ イ ラ - コ ン | | 01 |
| C456 | UA654100 | Mylar Capacitor | 0.0100 50V J RX TP | マ イ ラ - コ ン | | 01 |
| C457 | UA654120 | Mylar Capacitor | 0.0120 50V J RX TP | マ イ ラ - コ ン | | 01 |
| C458 | UA654120 | Mylar Capacitor | 0.0120 50V J RX TP | マ イ ラ - コ ン | | 01 |
| C459 | UA653390 | Mylar Capacitor | 3900P 50V J RX TP | マ イ ラ - コ ン | | 01 |
| C460 | UA653390 | Mylar Capacitor | 3900P 50V J RX TP | マ イ ラ - コ ン | | 01 |
| C461 | US061330 | Ceramic Capacitor-CH(chip) | 33P 50V J RECT. | チ ッ プ セ ラ (C H) | | 01 |
| C462 | US062100 | Ceramic Capacitor-SL(chip) | 100P 50V J RECT. | チ ッ プ セ ラ (S L) | | 01 |
| C463 | US061330 | Ceramic Capacitor-CH(chip) | 33P 50V J RECT. | チ ッ プ セ ラ (C H) | | 01 |
| C464 | US062100 | Ceramic Capacitor-SL(chip) | 100P 50V J RECT. | チ ッ プ セ ラ (S L) | | 01 |
| C465 | UR857470 | Electrolytic Cap. | 47.00 35.0V RX TP | ケ ミ コ ン | | 01 |
| C466 | UR857470 | Electrolytic Cap. | 47.00 35.0V RX TP | ケ ミ コ ン | | 01 |
| C468 | US034470 | Ceramic Capacitor-B (chip) | 0.0470 16V K RECT. | チ ッ プ セ ラ (B) | | 01 |

*: New Parts

RANK: Japan only

MAIN10U

| REF NO. | PART NO. | DESCRIPTION | 部 品 名 | REMARKS | QTY | RANK |
|---------|----------|----------------------------|--------------------|-------------------|-----|------|
| C469 | UR867100 | Electrolytic Cap. | 10.00 50.0V RX TP | ケ ミ コ ン | | 01 |
| C470 | UR867100 | Electrolytic Cap. | 10.00 50.0V RX TP | ケ ミ コ ン | | 01 |
| C473 | US062100 | Ceramic Capacitor-SL(chip) | 100P 50V J RECT. | チ ッ プ セ ラ (S L) | | 01 |
| C474 | US062100 | Ceramic Capacitor-SL(chip) | 100P 50V J RECT. | チ ッ プ セ ラ (S L) | | 01 |
| C475 | US061470 | Ceramic Capacitor-CH(chip) | 47P 50V J RECT. | チ ッ プ セ ラ (C H) | | 01 |
| C476 | US061470 | Ceramic Capacitor-CH(chip) | 47P 50V J RECT. | チ ッ プ セ ラ (C H) | | 01 |
| C477 | UR857470 | Electrolytic Cap. | 47.00 35.0V RX TP | ケ ミ コ ン | | 01 |
| C478 | UR857470 | Electrolytic Cap. | 47.00 35.0V RX TP | ケ ミ コ ン | | 01 |
| C479 | US064100 | Ceramic Capacitor-B (chip) | 0.0100 50V K RECT. | チ ッ プ セ ラ (B) | | 01 |
| -482 | US064100 | Ceramic Capacitor-B (chip) | 0.0100 50V K RECT. | チ ッ プ セ ラ (B) | | 01 |
| C501 | UR867100 | Electrolytic Cap. | 10.00 50.0V RX TP | ケ ミ コ ン | | 01 |
| -504 | UR867100 | Electrolytic Cap. | 10.00 50.0V RX TP | ケ ミ コ ン | | 01 |
| C505 | US062100 | Ceramic Capacitor-SL(chip) | 100P 50V J RECT. | チ ッ プ セ ラ (S L) | | 01 |
| -512 | US062100 | Ceramic Capacitor-SL(chip) | 100P 50V J RECT. | チ ッ プ セ ラ (S L) | | 01 |
| C513 | US061470 | Ceramic Capacitor-CH(chip) | 47P 50V J RECT. | チ ッ プ セ ラ (C H) | | 01 |
| -516 | US061470 | Ceramic Capacitor-CH(chip) | 47P 50V J RECT. | チ ッ プ セ ラ (C H) | | 01 |
| C517 | UR867100 | Electrolytic Cap. | 10.00 50.0V RX TP | ケ ミ コ ン | | 01 |
| C518 | UR867100 | Electrolytic Cap. | 10.00 50.0V RX TP | ケ ミ コ ン | | 01 |
| C519 | US064100 | Ceramic Capacitor-B (chip) | 0.0100 50V K RECT. | チ ッ プ セ ラ (B) | | 01 |
| C520 | UR867100 | Electrolytic Cap. | 10.00 50.0V RX TP | ケ ミ コ ン | | 01 |
| C521 | UR867100 | Electrolytic Cap. | 10.00 50.0V RX TP | ケ ミ コ ン | | 01 |
| C522 | US064100 | Ceramic Capacitor-B (chip) | 0.0100 50V K RECT. | チ ッ プ セ ラ (B) | | 01 |
| C525 | US064100 | Ceramic Capacitor-B (chip) | 0.0100 50V K RECT. | チ ッ プ セ ラ (B) | | 01 |
| C528 | US062220 | Ceramic Capacitor-SL(chip) | 220P 50V J RECT. | チ ッ プ セ ラ (S L) | | 01 |
| C529 | US062220 | Ceramic Capacitor-SL(chip) | 220P 50V J RECT. | チ ッ プ セ ラ (S L) | | 01 |
| C530 | US064100 | Ceramic Capacitor-B (chip) | 0.0100 50V K RECT. | チ ッ プ セ ラ (B) | | 01 |
| C531 | US061330 | Ceramic Capacitor-CH(chip) | 33P 50V J RECT. | チ ッ プ セ ラ (C H) | | 01 |
| C532 | US061330 | Ceramic Capacitor-CH(chip) | 33P 50V J RECT. | チ ッ プ セ ラ (C H) | | 01 |
| C533 | US062220 | Ceramic Capacitor-SL(chip) | 220P 50V J RECT. | チ ッ プ セ ラ (S L) | | 01 |
| C534 | US062220 | Ceramic Capacitor-SL(chip) | 220P 50V J RECT. | チ ッ プ セ ラ (S L) | | 01 |
| C535 | US064100 | Ceramic Capacitor-B (chip) | 0.0100 50V K RECT. | チ ッ プ セ ラ (B) | | 01 |
| C536 | US061220 | Ceramic Capacitor-CH(chip) | 22P 50V J RECT. | チ ッ プ セ ラ (C H) | | 01 |
| C537 | US061220 | Ceramic Capacitor-CH(chip) | 22P 50V J RECT. | チ ッ プ セ ラ (C H) | | 01 |
| C538 | US064100 | Ceramic Capacitor-B (chip) | 0.0100 50V K RECT. | チ ッ プ セ ラ (B) | | 01 |
| -540 | US064100 | Ceramic Capacitor-B (chip) | 0.0100 50V K RECT. | チ ッ プ セ ラ (B) | | 01 |
| C551 | UR867100 | Electrolytic Cap. | 10.00 50.0V RX TP | ケ ミ コ ン | | 01 |
| -554 | UR867100 | Electrolytic Cap. | 10.00 50.0V RX TP | ケ ミ コ ン | | 01 |
| C555 | UA654390 | Mylar Capacitor | 0.0390 50V J RX TP | マ イ ラ - コ ン | | 01 |
| -558 | UA654390 | Mylar Capacitor | 0.0390 50V J RX TP | マ イ ラ - コ ン | | 01 |
| C559 | UA652820 | Mylar Capacitor | 820P 50V J RX TP | マ イ ラ - コ ン | | 01 |
| -562 | UA652820 | Mylar Capacitor | 820P 50V J RX TP | マ イ ラ - コ ン | | 01 |
| C563 | US061470 | Ceramic Capacitor-CH(chip) | 47P 50V J RECT. | チ ッ プ セ ラ (C H) | | 01 |
| C564 | US062100 | Ceramic Capacitor-SL(chip) | 100P 50V J RECT. | チ ッ プ セ ラ (S L) | | 01 |
| C565 | US061470 | Ceramic Capacitor-CH(chip) | 47P 50V J RECT. | チ ッ プ セ ラ (C H) | | 01 |
| C566 | US062100 | Ceramic Capacitor-SL(chip) | 100P 50V J RECT. | チ ッ プ セ ラ (S L) | | 01 |
| C567 | US061470 | Ceramic Capacitor-CH(chip) | 47P 50V J RECT. | チ ッ プ セ ラ (C H) | | 01 |
| C568 | US062100 | Ceramic Capacitor-SL(chip) | 100P 50V J RECT. | チ ッ プ セ ラ (S L) | | 01 |
| C569 | US061470 | Ceramic Capacitor-CH(chip) | 47P 50V J RECT. | チ ッ プ セ ラ (C H) | | 01 |
| C570 | US062100 | Ceramic Capacitor-SL(chip) | 100P 50V J RECT. | チ ッ プ セ ラ (S L) | | 01 |
| C571 | UR857470 | Electrolytic Cap. | 47.00 35.0V RX TP | ケ ミ コ ン | | 01 |
| C572 | UR857470 | Electrolytic Cap. | 47.00 35.0V RX TP | ケ ミ コ ン | | 01 |
| C574 | UR857470 | Electrolytic Cap. | 47.00 35.0V RX TP | ケ ミ コ ン | | 01 |
| C575 | UR857470 | Electrolytic Cap. | 47.00 35.0V RX TP | ケ ミ コ ン | | 01 |
| C579 | UR867100 | Electrolytic Cap. | 10.00 50.0V RX TP | ケ ミ コ ン | | 01 |
| -582 | UR867100 | Electrolytic Cap. | 10.00 50.0V RX TP | ケ ミ コ ン | | 01 |
| C587 | US062100 | Ceramic Capacitor-SL(chip) | 100P 50V J RECT. | チ ッ プ セ ラ (S L) | | 01 |
| -590 | US062100 | Ceramic Capacitor-SL(chip) | 100P 50V J RECT. | チ ッ プ セ ラ (S L) | | 01 |
| C591 | US061470 | Ceramic Capacitor-CH(chip) | 47P 50V J RECT. | チ ッ プ セ ラ (C H) | | 01 |
| -594 | US061470 | Ceramic Capacitor-CH(chip) | 47P 50V J RECT. | チ ッ プ セ ラ (C H) | | 01 |
| C595 | UR857470 | Electrolytic Cap. | 47.00 35.0V RX TP | ケ ミ コ ン | | 01 |
| -602 | UR857470 | Electrolytic Cap. | 47.00 35.0V RX TP | ケ ミ コ ン | | 01 |
| C603 | US064100 | Ceramic Capacitor-B (chip) | 0.0100 50V K RECT. | チ ッ プ セ ラ (B) | | 01 |
| -610 | US064100 | Ceramic Capacitor-B (chip) | 0.0100 50V K RECT. | チ ッ プ セ ラ (B) | | 01 |
| C701 | US063100 | Ceramic Capacitor-B (chip) | 1000P 50V K RECT. | チ ッ プ セ ラ (B) | | 01 |
| C702 | US062220 | Ceramic Capacitor-SL(chip) | 220P 50V J RECT. | チ ッ プ セ ラ (S L) | | 01 |
| -706 | US062220 | Ceramic Capacitor-SL(chip) | 220P 50V J RECT. | チ ッ プ セ ラ (S L) | | 01 |
| C707 | US063100 | Ceramic Capacitor-B (chip) | 1000P 50V K RECT. | チ ッ プ セ ラ (B) | | 01 |
| C801 | UR867100 | Electrolytic Cap. | 10.00 50.0V RX TP | ケ ミ コ ン | | 01 |
| C802 | UR867100 | Electrolytic Cap. | 10.00 50.0V RX TP | ケ ミ コ ン | | 01 |
| C803 | US062220 | Ceramic Capacitor-SL(chip) | 220P 50V J RECT. | チ ッ プ セ ラ (S L) | | 01 |

*: New Parts

RANK: Japan only

MAIN10U

| REF NO. | PART NO. | DESCRIPTION | 部 品 名 | REMARKS | QTY | RANK |
|---------|----------|----------------------------|--------------------|-------------------|----------------|------|
| -805 | US062220 | Ceramic Capacitor-SL(chip) | 220P 50V J RECT. | チ ッ プ セ ラ (S L) | | 01 |
| C806 | US062100 | Ceramic Capacitor-SL(chip) | 100P 50V J RECT. | チ ッ プ セ ラ (S L) | | 01 |
| C807 | US062100 | Ceramic Capacitor-SL(chip) | 100P 50V J RECT. | チ ッ プ セ ラ (S L) | | 01 |
| C808 | US061470 | Ceramic Capacitor-CH(chip) | 47P 50V J RECT. | チ ッ プ セ ラ (C H) | | 01 |
| C809 | US061470 | Ceramic Capacitor-CH(chip) | 47P 50V J RECT. | チ ッ プ セ ラ (C H) | | 01 |
| C810 | US061100 | Ceramic Capacitor-CH(chip) | 10P 50V D RECT. | チ ッ プ セ ラ (C H) | | 01 |
| C811 | US061220 | Ceramic Capacitor-CH(chip) | 22P 50V J RECT. | チ ッ プ セ ラ (C H) | | 01 |
| C812 | US061220 | Ceramic Capacitor-CH(chip) | 22P 50V J RECT. | チ ッ プ セ ラ (C H) | | 01 |
| C813 | UR857470 | Electrolytic Cap. | 47.00 35.0V RX TP | ケ ミ コ ン | | 01 |
| -817 | UR857470 | Electrolytic Cap. | 47.00 35.0V RX TP | ケ ミ コ ン | | 01 |
| C820 | UR867100 | Electrolytic Cap. | 10.00 50.0V RX TP | ケ ミ コ ン | | 01 |
| -823 | UR867100 | Electrolytic Cap. | 10.00 50.0V RX TP | ケ ミ コ ン | | 01 |
| C828 | US062100 | Ceramic Capacitor-SL(chip) | 100P 50V J RECT. | チ ッ プ セ ラ (S L) | | 01 |
| -831 | US062100 | Ceramic Capacitor-SL(chip) | 100P 50V J RECT. | チ ッ プ セ ラ (S L) | | 01 |
| C832 | US061680 | Ceramic Capacitor-SL(chip) | 68P 50V J RECT. | チ ッ プ セ ラ (S L) | | 01 |
| -835 | US061680 | Ceramic Capacitor-SL(chip) | 68P 50V J RECT. | チ ッ プ セ ラ (S L) | | 01 |
| C836 | UR857470 | Electrolytic Cap. | 47.00 35.0V RX TP | ケ ミ コ ン | | 01 |
| -838 | UR857470 | Electrolytic Cap. | 47.00 35.0V RX TP | ケ ミ コ ン | | 01 |
| C839 | UR838100 | Electrolytic Cap. | 100.00 16.0V RX TP | ケ ミ コ ン | | 01 |
| C840 | UR857470 | Electrolytic Cap. | 47.00 35.0V RX TP | ケ ミ コ ン | | 01 |
| C841 | UR838100 | Electrolytic Cap. | 100.00 16.0V RX TP | ケ ミ コ ン | | 01 |
| C844 | US034470 | Ceramic Capacitor-B (chip) | 0.0470 16V K RECT. | チ ッ プ セ ラ (B) | | 01 |
| C845 | US034470 | Ceramic Capacitor-B (chip) | 0.0470 16V K RECT. | チ ッ プ セ ラ (B) | | 01 |
| C846 | UR867100 | Electrolytic Cap. | 10.00 50.0V RX TP | ケ ミ コ ン | | 01 |
| C847 | UR867100 | Electrolytic Cap. | 10.00 50.0V RX TP | ケ ミ コ ン | | 01 |
| C848 | US064100 | Ceramic Capacitor-B (chip) | 0.0100 50V K RECT. | チ ッ プ セ ラ (B) | | 01 |
| -857 | US064100 | Ceramic Capacitor-B (chip) | 0.0100 50V K RECT. | チ ッ プ セ ラ (B) | | 01 |
| C858 | UR838100 | Electrolytic Cap. | 100.00 16.0V RX TP | ケ ミ コ ン | | 01 |
| C859 | US064100 | Ceramic Capacitor-B (chip) | 0.0100 50V K RECT. | チ ッ プ セ ラ (B) | | 01 |
| C860 | US064100 | Ceramic Capacitor-B (chip) | 0.0100 50V K RECT. | チ ッ プ セ ラ (B) | | 01 |
| C861 | UR838100 | Electrolytic Cap. | 100.00 16.0V RX TP | ケ ミ コ ン | | 01 |
| CN701 | VB390500 | Base Post Connector | PH 9P TE | ベ ー ス ポ ス ト | | 03 |
| D01 | WD543900 | Diode | 1N4004 A0 TE-52 | ダ イ オ ー ド | | 01 |
| -04 | WD543900 | Diode | 1N4004 A0 TE-52 | ダ イ オ ー ド | | 01 |
| D06 | VN771700 | Diode | D1NS4-4083 1A40V T | ダ イ オ ー ド | | 01 |
| D07 | VN771700 | Diode | D1NS4-4083 1A40V T | ダ イ オ ー ド | | 01 |
| D51 | WD543900 | Diode | 1N4004 A0 TE-52 | ダ イ オ ー ド | | 01 |
| D52 | WD543900 | Diode | 1N4004 A0 TE-52 | ダ イ オ ー ド | | 01 |
| D101 | VR496500 | Diode | MA111 FLAT TP | ダ イ オ ー ド | | |
| -103 | VR496500 | Diode | MA111 FLAT TP | ダ イ オ ー ド | | |
| D201 | VR496500 | Diode | MA111 FLAT TP | ダ イ オ ー ド | | |
| -203 | VR496500 | Diode | MA111 FLAT TP | ダ イ オ ー ド | | |
| D351 | VR496500 | Diode | MA111 FLAT TP | ダ イ オ ー ド | | |
| -353 | VR496500 | Diode | MA111 FLAT TP | ダ イ オ ー ド | | |
| D451 | VR496500 | Diode | MA111 FLAT TP | ダ イ オ ー ド | | |
| -453 | VR496500 | Diode | MA111 FLAT TP | ダ イ オ ー ド | | |
| IC01 | X4930A00 | IC | KIA7815API-U/P | I C | REGULATOR +15V | 02 |
| IC02 | X4931A00 | IC | KIA7915PI-U/P | I C | REGULATOR -15V | 02 |
| IC51 | X4928A00 | IC | KIA7805API/P 5V | I C | REGULATOR +5V | 02 |
| IC101 | X4543A00 | IC | NJM072BM-E(TE1) | I C | OP AMP | 03 |
| IC102 | X6897A00 | IC | BA4560RF-E2 | I C | OP AMP | 01 |
| IC103 | X6897A00 | IC | BA4560RF-E2 | I C | OP AMP | 01 |
| IC104 | X7378A00 | IC | NJM4565M(TE1) | I C | OP AMP | 01 |
| IC105 | X6897A00 | IC | BA4560RF-E2 | I C | OP AMP | 01 |
| IC151 | X6897A00 | IC | BA4560RF-E2 | I C | OP AMP | 01 |
| IC152 | X6897A00 | IC | BA4560RF-E2 | I C | OP AMP | 01 |
| IC301 | X6897A00 | IC | BA4560RF-E2 | I C | OP AMP | 01 |
| IC302 | X3505A00 | IC | NJM2068M-D(TE2) | I C | OP AMP | 02 |
| IC351 | X6897A00 | IC | BA4560RF-E2 | I C | OP AMP | 01 |
| IC352 | X6897A00 | IC | BA4560RF-E2 | I C | OP AMP | 01 |
| IC401 | X6897A00 | IC | BA4560RF-E2 | I C | OP AMP | 01 |
| IC402 | X3505A00 | IC | NJM2068M-D(TE2) | I C | OP AMP | 02 |
| IC451 | X6897A00 | IC | BA4560RF-E2 | I C | OP AMP | 01 |
| IC452 | X6897A00 | IC | BA4560RF-E2 | I C | OP AMP | 01 |
| IC501 | X6897A00 | IC | BA4560RF-E2 | I C | OP AMP | 01 |
| -504 | X6897A00 | IC | BA4560RF-E2 | I C | OP AMP | 01 |
| IC551 | X6897A00 | IC | BA4560RF-E2 | I C | OP AMP | 01 |
| -554 | X6897A00 | IC | BA4560RF-E2 | I C | OP AMP | 01 |
| IC801 | X6897A00 | IC | BA4560RF-E2 | I C | OP AMP | 01 |
| -804 | X6897A00 | IC | BA4560RF-E2 | I C | OP AMP | 01 |

*: New Parts

RANK: Japan only

MAIN10U

| REF NO. | PART NO. | DESCRIPTION | | 部 品 名 | REMARKS | QTY | RANK |
|---------|----------|------------------------|---------------------|---------------------|--------------------------|-----|------|
| IC805 | XP844A00 | IC | NJM4556AL | I C | OP AMP | | 02 |
| IC806 | XZ348A00 | IC | LB1423N-E | I C | LED DRIVER | | 02 |
| IC807 | XZ348A00 | IC | LB1423N-E | I C | LED DRIVER | | 02 |
| IC808 | X7378A00 | IC | NJM4565M(Te1) | I C | OP AMP | | 01 |
| J101 | -- | Jumper Wire | 0.55 TIN | ジ ャ ン パ ー 線 | (VA07890) | | |
| -110 | -- | Jumper Wire | 0.55 TIN | ジ ャ ン パ ー 線 | (VA07890) | | |
| JK101 | WG848700 | Cannon Connector | JACK NC3FAAV2-0-Y | キ ャ ノ ン コ ネ ク タ | MIC(CH1) | | |
| JK102 | WH919000 | Phone Jack | ST MSJ-064-30B B | ホ ー ン コ ネ ク タ | LINE(CH1) | | |
| JK103 | WH919000 | Phone Jack | ST MSJ-064-30B B | ホ ー ン コ ネ ク タ | INSERT(CH1) | | |
| JK201 | WG848700 | Cannon Connector | JACK NC3FAAV2-0-Y | キ ャ ノ ン コ ネ ク タ | MIC(CH2) | | |
| JK202 | WH919000 | Phone Jack | ST MSJ-064-30B B | ホ ー ン コ ネ ク タ | LINE(CH2) | | |
| JK203 | WH919000 | Phone Jack | ST MSJ-064-30B B | ホ ー ン コ ネ ク タ | INSERT(CH2) | | |
| JK301 | WG848700 | Cannon Connector | JACK NC3FAAV2-0-Y | キ ャ ノ ン コ ネ ク タ | MIC(CH3/4) | | |
| JK302 | WH919000 | Phone Jack | ST MSJ-064-30B B | ホ ー ン コ ネ ク タ | LINE L/MONO(CH3) | | |
| JK303 | WH919000 | Phone Jack | ST MSJ-064-30B B | ホ ー ン コ ネ ク タ | LINE R(CH4) | | |
| JK401 | WG848700 | Cannon Connector | JACK NC3FAAV2-0-Y | キ ャ ノ ン コ ネ ク タ | MIC(CH5/6) | | |
| JK402 | WH919000 | Phone Jack | ST MSJ-064-30B B | ホ ー ン コ ネ ク タ | LINE L/MONO(CH5) | | |
| JK403 | WH919000 | Phone Jack | ST MSJ-064-30B B | ホ ー ン コ ネ ク タ | LINE R(CH6) | | |
| JK501 | WH919000 | Phone Jack | ST MSJ-064-30B B | ホ ー ン コ ネ ク タ | LINE L(CH7) | | |
| JK502 | WH919000 | Phone Jack | ST MSJ-064-30B B | ホ ー ン コ ネ ク タ | LINE R(CH8) | | |
| JK503 | V9812800 | Pin Connector | MSP-247H1-01 NI | ピ ン コ ネ ク タ 4 P | LR(CH7/8),LR(CH9/10) | | 02 |
| JK504 | WH919000 | Phone Jack | ST MSJ-064-30B B | ホ ー ン コ ネ ク タ | LINE L(CH9) | | |
| JK505 | WH919000 | Phone Jack | ST MSJ-064-30B B | ホ ー ン コ ネ ク タ | LINE R(CH10) | | |
| JK506 | WH919000 | Phone Jack | ST MSJ-064-30B B | ホ ー ン コ ネ ク タ | RETURN L/MONO | | |
| JK507 | WH919000 | Phone Jack | ST MSJ-064-30B B | ホ ー ン コ ネ ク タ | RETURN R | | |
| JK508 | V9812800 | Pin Connector | MSP-247H1-01 NI | ピ ン コ ネ ク タ 4 P | 2TR IN/LR,REC OUT/LR | | 02 |
| JK701 | WH919000 | Phone Jack | ST MSJ-064-30B B | ホ ー ン コ ネ ク タ | STEREO OUT L | | |
| JK702 | WH919000 | Phone Jack | ST MSJ-064-30B B | ホ ー ン コ ネ ク タ | STEREO OUT R | | |
| JK703 | WH919000 | Phone Jack | ST MSJ-064-30B B | ホ ー ン コ ネ ク タ | AUX SEND | | |
| JK704 | WH919000 | Phone Jack | ST MSJ-064-30B B | ホ ー ン コ ネ ク タ | MONITOR L | | |
| JK705 | WH919000 | Phone Jack | ST MSJ-064-30B B | ホ ー ン コ ネ ク タ | MONITOR R | | |
| JK706 | WH919000 | Phone Jack | ST MSJ-064-30B B | ホ ー ン コ ネ ク タ | PHONES | | |
| LD151 | V9790400 | LED Red | HFR203PJ-3-00 | L E D | PEAK 1 | | 01 |
| LD251 | V9790400 | LED Red | HFR203PJ-3-00 | L E D | PEAK 2 | | 01 |
| LD351 | V9790400 | LED Red | HFR203PJ-3-00 | L E D | PEAK 3/4 | | 01 |
| LD451 | V9790400 | LED Red | HFR203PJ-3-00 | L E D | PEAK 5/6 | | 01 |
| LD801 | WH204500 | LED Level Meter | HE14RYGVB | L E D レ ベ ル メ ー タ ー | PEAK +6,+3,0,-5,-10,-20 | | |
| LD815 | V9790600 | LED Red | HFR203TP-1-00 | L E D | PHANTOM +48V/CH1-5/6 MIC | | 01 |
| LD816 | WA097500 | LED Green | HFG203PJ-3-00 | L E D | POWER | | 01 |
| Q51 | VQ547300 | Transistor | 2SC4793(HFE,F) | ト ラ ン ジ ス タ | | | 03 |
| Q101 | V7421700 | Transistor | 2SC3324-GR,BL(TE85) | ト ラ ン ジ ス タ | | | |
| Q102 | V7421700 | Transistor | 2SC3324-GR,BL(TE85) | ト ラ ン ジ ス タ | | | 01 |
| Q103 | WH249200 | FET | 2SK208-GR(TE85L,F) | F E T | | | 01 |
| Q151 | WC529400 | Transistor | KTC3875S-Y,GR-R | ト ラ ン ジ ス タ | | | 01 |
| Q152 | WC529500 | Transistor | KTA1504S-Y,GR-R | ト ラ ン ジ ス タ | | | |
| Q201 | V7421700 | Transistor | 2SC3324-GR,BL(TE85) | ト ラ ン ジ ス タ | | | 01 |
| Q202 | V7421700 | Transistor | 2SC3324-GR,BL(TE85) | ト ラ ン ジ ス タ | | | 01 |
| Q203 | WH249200 | FET | 2SK208-GR(TE85L,F) | F E T | | | 01 |
| Q251 | WC529400 | Transistor | KTC3875S-Y,GR-R | ト ラ ン ジ ス タ | | | 01 |
| Q252 | WC529500 | Transistor | KTA1504S-Y,GR-R | ト ラ ン ジ ス タ | | | |
| Q301 | V7421700 | Transistor | 2SC3324-GR,BL(TE85) | ト ラ ン ジ ス タ | | | 01 |
| Q302 | V7421700 | Transistor | 2SC3324-GR,BL(TE85) | ト ラ ン ジ ス タ | | | 01 |
| Q351 | WC529400 | Transistor | KTC3875S-Y,GR-R | ト ラ ン ジ ス タ | | | 01 |
| Q352 | WC529500 | Transistor | KTA1504S-Y,GR-R | ト ラ ン ジ ス タ | | | |
| Q401 | V7421700 | Transistor | 2SC3324-GR,BL(TE85) | ト ラ ン ジ ス タ | | | 01 |
| Q402 | V7421700 | Transistor | 2SC3324-GR,BL(TE85) | ト ラ ン ジ ス タ | | | 01 |
| Q451 | WC529400 | Transistor | KTC3875S-Y,GR-R | ト ラ ン ジ ス タ | | | 01 |
| Q452 | WC529500 | Transistor | KTA1504S-Y,GR-R | ト ラ ン ジ ス タ | | | |
| Q801 | WC529400 | Transistor | KTC3875S-Y,GR-R | ト ラ ン ジ ス タ | | | 01 |
| Q802 | WC529400 | Transistor | KTC3875S-Y,GR-R | ト ラ ン ジ ス タ | | | 01 |
| Q803 | WC529500 | Transistor | KTA1504S-Y,GR-R | ト ラ ン ジ ス タ | | | |
| Q804 | WC529400 | Transistor | KTC3875S-Y,GR-R | ト ラ ン ジ ス タ | | | 01 |
| Q805 | WC529500 | Transistor | KTA1504S-Y,GR-R | ト ラ ン ジ ス タ | | | |
| Q806 | WC529400 | Transistor | KTC3875S-Y,GR-R | ト ラ ン ジ ス タ | | | 01 |
| Q807 | WC529500 | Transistor | KTA1504S-Y,GR-R | ト ラ ン ジ ス タ | | | |
| Q808 | WC529500 | Transistor | KTA1504S-Y,GR-R | ト ラ ン ジ ス タ | | | |
| R51 | HF457100 | Carbon Resistor | 10.0K 1/4 J AX TP | カ ー ボ ン 抵 抗 | | | 01 |
| R52 | RD356470 | Carbon Resistor (chip) | 4.7K 63M J RECT. | チ ッ プ 抵 抗 | | | 01 |
| R53 | HF457150 | Carbon Resistor | 15.0K 1/4 J AX TP | カ ー ボ ン 抵 抗 | | | 01 |
| R101 | RD358100 | Carbon Resistor (chip) | 100.0K 63M J RECT. | チ ッ プ 抵 抗 | | | 01 |

*: New Parts

RANK: Japan only

MAIN10U

| REF NO. | PART NO. | DESCRIPTION | 部 品 名 | REMARKS | QTY | RANK |
|---------|----------|------------------------|--------------------|-------------|-----|------|
| R102 | RD358100 | Carbon Resistor (chip) | 100.0K 63M J RECT. | チ ッ ブ 抵 抗 | | 01 |
| R103 | HB026680 | Metal Film Resistor | 6.8K 1/4 F AX TP | 金 属 被 膜 抵 抗 | | 01 |
| R104 | RD358100 | Carbon Resistor (chip) | 100.0K 63M J RECT. | チ ッ ブ 抵 抗 | | 01 |
| R105 | HB026680 | Metal Film Resistor | 6.8K 1/4 F AX TP | 金 属 被 膜 抵 抗 | | 01 |
| R106 | RF357330 | Carbon Resistor (chip) | 33.0K D 1608 | チ ッ ブ 抵 抗 | | 01 |
| R107 | RF357330 | Carbon Resistor (chip) | 33.0K D 1608 | チ ッ ブ 抵 抗 | | 01 |
| R108 | RD354750 | Carbon Resistor (chip) | 75.0 63M J RECT. | チ ッ ブ 抵 抗 | | 01 |
| R109 | RF356470 | Carbon Resistor (chip) | 4.7K D 1608 | チ ッ ブ 抵 抗 | | 01 |
| R110 | RD354100 | Carbon Resistor (chip) | 10.0 63M J RECT. | チ ッ ブ 抵 抗 | | 01 |
| R111 | RD354100 | Carbon Resistor (chip) | 10.0 63M J RECT. | チ ッ ブ 抵 抗 | | 01 |
| R112 | RF357470 | Carbon Resistor (chip) | 47.0K D 1608 | チ ッ ブ 抵 抗 | | 01 |
| R113 | RF357470 | Carbon Resistor (chip) | 47.0K D 1608 | チ ッ ブ 抵 抗 | | 01 |
| R114 | RD354100 | Carbon Resistor (chip) | 10.0 63M J RECT. | チ ッ ブ 抵 抗 | | 01 |
| R115 | RD354100 | Carbon Resistor (chip) | 10.0 63M J RECT. | チ ッ ブ 抵 抗 | | 01 |
| R116 | RF356220 | Carbon Resistor (chip) | 2.2K D 1608 | チ ッ ブ 抵 抗 | | 01 |
| R117 | RF356820 | Carbon Resistor (chip) | 8.2K D 1608 | チ ッ ブ 抵 抗 | | 01 |
| R119 | RF354150 | Carbon Resistor (chip) | 15.0 D 1608 | チ ッ ブ 抵 抗 | | 01 |
| R120 | RF356820 | Carbon Resistor (chip) | 8.2K D 1608 | チ ッ ブ 抵 抗 | | 01 |
| R121 | RF356220 | Carbon Resistor (chip) | 2.2K D 1608 | チ ッ ブ 抵 抗 | | 01 |
| R123 | RF357270 | Carbon Resistor (chip) | 27.0K D 1608 | チ ッ ブ 抵 抗 | | 01 |
| R124 | RF357270 | Carbon Resistor (chip) | 27.0K D 1608 | チ ッ ブ 抵 抗 | | 01 |
| R125 | RD358220 | Carbon Resistor (chip) | 220.0K 63M J RECT. | チ ッ ブ 抵 抗 | | 01 |
| R126 | RD357150 | Carbon Resistor (chip) | 15.0K 63M J RECT. | チ ッ ブ 抵 抗 | | 01 |
| R127 | RD357330 | Carbon Resistor (chip) | 33.0K 63M J RECT. | チ ッ ブ 抵 抗 | | 01 |
| R129 | RD358220 | Carbon Resistor (chip) | 220.0K 63M J RECT. | チ ッ ブ 抵 抗 | | 01 |
| R130 | RD358220 | Carbon Resistor (chip) | 220.0K 63M J RECT. | チ ッ ブ 抵 抗 | | 01 |
| R131 | RD357560 | Carbon Resistor (chip) | 56.0K 63M J RECT. | チ ッ ブ 抵 抗 | | 01 |
| R132 | RD358100 | Carbon Resistor (chip) | 100.0K 63M J RECT. | チ ッ ブ 抵 抗 | | 01 |
| R133 | RD357270 | Carbon Resistor (chip) | 27.0K 63M J RECT. | チ ッ ブ 抵 抗 | | 01 |
| R134 | RD355820 | Carbon Resistor (chip) | 820.0 63M J RECT. | チ ッ ブ 抵 抗 | | 01 |
| R135 | RD355820 | Carbon Resistor (chip) | 820.0 63M J RECT. | チ ッ ブ 抵 抗 | | 01 |
| R136 | RD357270 | Carbon Resistor (chip) | 27.0K 63M J RECT. | チ ッ ブ 抵 抗 | | 01 |
| R137 | RD357120 | Carbon Resistor (chip) | 12.0K 63M J RECT. | チ ッ ブ 抵 抗 | | 01 |
| R138 | RD357120 | Carbon Resistor (chip) | 12.0K 63M J RECT. | チ ッ ブ 抵 抗 | | 01 |
| R139 | RD357220 | Carbon Resistor (chip) | 22.0K 63M J RECT. | チ ッ ブ 抵 抗 | | 01 |
| R141 | RF358100 | Carbon Resistor (chip) | 100.0K D 1608 | チ ッ ブ 抵 抗 | | 01 |
| R142 | RF356330 | Carbon Resistor (chip) | 3.3K D RECT | チ ッ ブ 抵 抗 | | 01 |
| R151 | RD357100 | Carbon Resistor (chip) | 10.0K 63M J RECT. | チ ッ ブ 抵 抗 | | 01 |
| R152 | RD355680 | Carbon Resistor (chip) | 680.0 63M J RECT. | チ ッ ブ 抵 抗 | | 01 |
| R153 | RD356270 | Carbon Resistor (chip) | 2.7K 63M J RECT. | チ ッ ブ 抵 抗 | | 01 |
| R154 | RD357100 | Carbon Resistor (chip) | 10.0K 63M J RECT. | チ ッ ブ 抵 抗 | | 01 |
| R155 | RD357100 | Carbon Resistor (chip) | 10.0K 63M J RECT. | チ ッ ブ 抵 抗 | | 01 |
| R156 | RD355680 | Carbon Resistor (chip) | 680.0 63M J RECT. | チ ッ ブ 抵 抗 | | 01 |
| R157 | RD356270 | Carbon Resistor (chip) | 2.7K 63M J RECT. | チ ッ ブ 抵 抗 | | 01 |
| R158 | RD356270 | Carbon Resistor (chip) | 2.7K 63M J RECT. | チ ッ ブ 抵 抗 | | 01 |
| R160 | RD358100 | Carbon Resistor (chip) | 100.0K 63M J RECT. | チ ッ ブ 抵 抗 | | 01 |
| R161 | RD356820 | Carbon Resistor (chip) | 8.2K 63M J RECT. | チ ッ ブ 抵 抗 | | 01 |
| R162 | RD358100 | Carbon Resistor (chip) | 100.0K 63M J RECT. | チ ッ ブ 抵 抗 | | 01 |
| R163 | RD356470 | Carbon Resistor (chip) | 4.7K 63M J RECT. | チ ッ ブ 抵 抗 | | 01 |
| R164 | HF456330 | Carbon Resistor | 3.3K 1/4 J AX TP | カ ー ボ ン 抵 抗 | | 01 |
| R165 | RD358100 | Carbon Resistor (chip) | 100.0K 63M J RECT. | チ ッ ブ 抵 抗 | | 01 |
| R166 | RD355220 | Carbon Resistor (chip) | 220.0 63M J RECT. | チ ッ ブ 抵 抗 | | 01 |
| R167 | RD357180 | Carbon Resistor (chip) | 18.0K 63M J RECT. | チ ッ ブ 抵 抗 | | 01 |
| R168 | RD355220 | Carbon Resistor (chip) | 220.0 63M J RECT. | チ ッ ブ 抵 抗 | | 01 |
| R169 | RD357180 | Carbon Resistor (chip) | 18.0K 63M J RECT. | チ ッ ブ 抵 抗 | | 01 |
| R170 | RD357220 | Carbon Resistor (chip) | 22.0K 63M J RECT. | チ ッ ブ 抵 抗 | | 01 |
| R173 | RD357180 | Carbon Resistor (chip) | 18.0K 63M J RECT. | チ ッ ブ 抵 抗 | | 01 |
| R174 | RD357180 | Carbon Resistor (chip) | 18.0K 63M J RECT. | チ ッ ブ 抵 抗 | | 01 |
| R175 | RD357220 | Carbon Resistor (chip) | 22.0K 63M J RECT. | チ ッ ブ 抵 抗 | | 01 |
| R201 | RD358100 | Carbon Resistor (chip) | 100.0K 63M J RECT. | チ ッ ブ 抵 抗 | | 01 |
| R202 | HB026680 | Metal Film Resistor | 6.8K 1/4 F AX TP | 金 属 被 膜 抵 抗 | | 01 |
| R203 | RD358100 | Carbon Resistor (chip) | 100.0K 63M J RECT. | チ ッ ブ 抵 抗 | | 01 |
| R204 | HB026680 | Metal Film Resistor | 6.8K 1/4 F AX TP | 金 属 被 膜 抵 抗 | | 01 |
| R205 | RF357330 | Carbon Resistor (chip) | 33.0K D 1608 | チ ッ ブ 抵 抗 | | 01 |
| R206 | RF357330 | Carbon Resistor (chip) | 33.0K D 1608 | チ ッ ブ 抵 抗 | | 01 |
| R207 | RD354750 | Carbon Resistor (chip) | 75.0 63M J RECT. | チ ッ ブ 抵 抗 | | 01 |
| R208 | RF356470 | Carbon Resistor (chip) | 4.7K D 1608 | チ ッ ブ 抵 抗 | | 01 |
| R209 | RD354100 | Carbon Resistor (chip) | 10.0 63M J RECT. | チ ッ ブ 抵 抗 | | 01 |
| R210 | RD354100 | Carbon Resistor (chip) | 10.0 63M J RECT. | チ ッ ブ 抵 抗 | | 01 |
| R211 | RF357470 | Carbon Resistor (chip) | 47.0K D 1608 | チ ッ ブ 抵 抗 | | 01 |

*: New Parts

RANK: Japan only

MAIN10U

| REF NO. | PART NO. | DESCRIPTION | 部 品 名 | REMARKS | QTY | RANK |
|---------|----------|------------------------|--------------------|-----------------|-----|------|
| R212 | RF357470 | Carbon Resistor (chip) | 47.0K D 1608 | チ ッ プ 抵 抗 | | 01 |
| R213 | RD354100 | Carbon Resistor (chip) | 10.0 63M J RECT. | チ ッ プ 抵 抗 | | 01 |
| R214 | RD354100 | Carbon Resistor (chip) | 10.0 63M J RECT. | チ ッ プ 抵 抗 | | 01 |
| R215 | RF356220 | Carbon Resistor (chip) | 2.2K D 1608 | チ ッ プ 抵 抗 | | 01 |
| R216 | RF356820 | Carbon Resistor (chip) | 8.2K D 1608 | チ ッ プ 抵 抗 | | 01 |
| R218 | RF354150 | Carbon Resistor (chip) | 15.0 D 1608 | チ ッ プ 抵 抗 | | 01 |
| R219 | RF356820 | Carbon Resistor (chip) | 8.2K D 1608 | チ ッ プ 抵 抗 | | 01 |
| R220 | RF356220 | Carbon Resistor (chip) | 2.2K D 1608 | チ ッ プ 抵 抗 | | 01 |
| R222 | RF357270 | Carbon Resistor (chip) | 27.0K D 1608 | チ ッ プ 抵 抗 | | 01 |
| R223 | RF357270 | Carbon Resistor (chip) | 27.0K D 1608 | チ ッ プ 抵 抗 | | 01 |
| R224 | RD358220 | Carbon Resistor (chip) | 220.0K 63M J RECT. | チ ッ プ 抵 抗 | | 01 |
| R225 | RD357150 | Carbon Resistor (chip) | 15.0K 63M J RECT. | チ ッ プ 抵 抗 | | 01 |
| R226 | RD357330 | Carbon Resistor (chip) | 33.0K 63M J RECT. | チ ッ プ 抵 抗 | | 01 |
| R228 | RD358220 | Carbon Resistor (chip) | 220.0K 63M J RECT. | チ ッ プ 抵 抗 | | 01 |
| R229 | RD358220 | Carbon Resistor (chip) | 220.0K 63M J RECT. | チ ッ プ 抵 抗 | | 01 |
| R230 | RD357560 | Carbon Resistor (chip) | 56.0K 63M J RECT. | チ ッ プ 抵 抗 | | 01 |
| R231 | RD358100 | Carbon Resistor (chip) | 100.0K 63M J RECT. | チ ッ プ 抵 抗 | | 01 |
| R232 | RD357270 | Carbon Resistor (chip) | 27.0K 63M J RECT. | チ ッ プ 抵 抗 | | 01 |
| R233 | RD355820 | Carbon Resistor (chip) | 820.0 63M J RECT. | チ ッ プ 抵 抗 | | 01 |
| R234 | RD355820 | Carbon Resistor (chip) | 820.0 63M J RECT. | チ ッ プ 抵 抗 | | 01 |
| R235 | RD357270 | Carbon Resistor (chip) | 27.0K 63M J RECT. | チ ッ プ 抵 抗 | | 01 |
| R236 | RD357120 | Carbon Resistor (chip) | 12.0K 63M J RECT. | チ ッ プ 抵 抗 | | 01 |
| R237 | RD357120 | Carbon Resistor (chip) | 12.0K 63M J RECT. | チ ッ プ 抵 抗 | | 01 |
| R238 | RD357220 | Carbon Resistor (chip) | 22.0K 63M J RECT. | チ ッ プ 抵 抗 | | 01 |
| R251 | RD357100 | Carbon Resistor (chip) | 10.0K 63M J RECT. | チ ッ プ 抵 抗 | | 01 |
| R252 | RD355680 | Carbon Resistor (chip) | 680.0 63M J RECT. | チ ッ プ 抵 抗 | | 01 |
| R253 | RD356270 | Carbon Resistor (chip) | 2.7K 63M J RECT. | チ ッ プ 抵 抗 | | 01 |
| R254 | RD357100 | Carbon Resistor (chip) | 10.0K 63M J RECT. | チ ッ プ 抵 抗 | | 01 |
| R255 | RD357100 | Carbon Resistor (chip) | 10.0K 63M J RECT. | チ ッ プ 抵 抗 | | 01 |
| R256 | RD355680 | Carbon Resistor (chip) | 680.0 63M J RECT. | チ ッ プ 抵 抗 | | 01 |
| R257 | RD356270 | Carbon Resistor (chip) | 2.7K 63M J RECT. | チ ッ プ 抵 抗 | | 01 |
| R258 | RD356270 | Carbon Resistor (chip) | 2.7K 63M J RECT. | チ ッ プ 抵 抗 | | 01 |
| R260 | RD358100 | Carbon Resistor (chip) | 100.0K 63M J RECT. | チ ッ プ 抵 抗 | | 01 |
| R261 | RD356820 | Carbon Resistor (chip) | 8.2K 63M J RECT. | チ ッ プ 抵 抗 | | 01 |
| R262 | RD358100 | Carbon Resistor (chip) | 100.0K 63M J RECT. | チ ッ プ 抵 抗 | | 01 |
| R263 | RD356470 | Carbon Resistor (chip) | 4.7K 63M J RECT. | チ ッ プ 抵 抗 | | 01 |
| R264 | HF456330 | Carbon Resistor | 3.3K 1/4 J AX TP | チ カ ー ボ ン プ 抵 抗 | | 01 |
| R265 | RD358100 | Carbon Resistor (chip) | 100.0K 63M J RECT. | チ ッ プ 抵 抗 | | 01 |
| R266 | RD355220 | Carbon Resistor (chip) | 220.0 63M J RECT. | チ ッ プ 抵 抗 | | 01 |
| R267 | RD357180 | Carbon Resistor (chip) | 18.0K 63M J RECT. | チ ッ プ 抵 抗 | | 01 |
| R268 | RD355220 | Carbon Resistor (chip) | 220.0 63M J RECT. | チ ッ プ 抵 抗 | | 01 |
| R269 | RD357180 | Carbon Resistor (chip) | 18.0K 63M J RECT. | チ ッ プ 抵 抗 | | 01 |
| R270 | RD357220 | Carbon Resistor (chip) | 22.0K 63M J RECT. | チ ッ プ 抵 抗 | | 01 |
| R273 | RD357180 | Carbon Resistor (chip) | 18.0K 63M J RECT. | チ ッ プ 抵 抗 | | 01 |
| R274 | RD357180 | Carbon Resistor (chip) | 18.0K 63M J RECT. | チ ッ プ 抵 抗 | | 01 |
| R275 | RD357220 | Carbon Resistor (chip) | 22.0K 63M J RECT. | チ ッ プ 抵 抗 | | 01 |
| R301 | HB026680 | Metal Film Resistor | 6.8K 1/4 F AX TP | 金 属 被 膜 抵 抗 | | 01 |
| R302 | HB026680 | Metal Film Resistor | 6.8K 1/4 F AX TP | 金 属 被 膜 抵 抗 | | 01 |
| R303 | RD354100 | Carbon Resistor (chip) | 10.0 63M J RECT. | チ ッ プ 抵 抗 | | 01 |
| R304 | RD354100 | Carbon Resistor (chip) | 10.0 63M J RECT. | チ ッ プ 抵 抗 | | 01 |
| R305 | RD357100 | Carbon Resistor (chip) | 10.0K 63M J RECT. | チ ッ プ 抵 抗 | | 01 |
| R306 | RD357100 | Carbon Resistor (chip) | 10.0K 63M J RECT. | チ ッ プ 抵 抗 | | 01 |
| R307 | RF357470 | Carbon Resistor (chip) | 47.0K D 1608 | チ ッ プ 抵 抗 | | 01 |
| R308 | RF357470 | Carbon Resistor (chip) | 47.0K D 1608 | チ ッ プ 抵 抗 | | 01 |
| R309 | RD354100 | Carbon Resistor (chip) | 10.0 63M J RECT. | チ ッ プ 抵 抗 | | 01 |
| R310 | RD354100 | Carbon Resistor (chip) | 10.0 63M J RECT. | チ ッ プ 抵 抗 | | 01 |
| R311 | RD356220 | Carbon Resistor (chip) | 2.2K 63M J RECT. | チ ッ プ 抵 抗 | | 01 |
| R312 | RD356220 | Carbon Resistor (chip) | 2.2K 63M J RECT. | チ ッ プ 抵 抗 | | 01 |
| R313 | RF356220 | Carbon Resistor (chip) | 2.2K D 1608 | チ ッ プ 抵 抗 | | 01 |
| R314 | RF356820 | Carbon Resistor (chip) | 8.2K D 1608 | チ ッ プ 抵 抗 | | 01 |
| R315 | RF355680 | Carbon Resistor (chip) | 680.0 D 1608 | チ ッ プ 抵 抗 | | 01 |
| R319 | RF356820 | Carbon Resistor (chip) | 8.2K D 1608 | チ ッ プ 抵 抗 | | 01 |
| R320 | RF356220 | Carbon Resistor (chip) | 2.2K D 1608 | チ ッ プ 抵 抗 | | 01 |
| R322 | RF356680 | Carbon Resistor (chip) | 6.8K D 1608 | チ ッ プ 抵 抗 | | 01 |
| R323 | RF356680 | Carbon Resistor (chip) | 6.8K D 1608 | チ ッ プ 抵 抗 | | 01 |
| R324 | RD354470 | Carbon Resistor (chip) | 47.0 63M J RECT. | チ ッ プ 抵 抗 | | 01 |
| R325 | RD354470 | Carbon Resistor (chip) | 47.0 63M J RECT. | チ ッ プ 抵 抗 | | 01 |
| R326 | RD357150 | Carbon Resistor (chip) | 15.0K 63M J RECT. | チ ッ プ 抵 抗 | | 01 |
| R327 | RD357150 | Carbon Resistor (chip) | 15.0K 63M J RECT. | チ ッ プ 抵 抗 | | 01 |
| R328 | RD357470 | Carbon Resistor (chip) | 47.0K 63M J RECT. | チ ッ プ 抵 抗 | | 01 |

*: New Parts

RANK: Japan only

MAIN10U

| REF NO. | PART NO. | DESCRIPTION | 部 品 名 | REMARKS | QTY | RANK |
|---------|----------|------------------------|--------------------|-------------|-----|------|
| R329 | RD357150 | Carbon Resistor (chip) | 15.0K 63M J RECT. | チ ッ ブ 抵 抗 | | 01 |
| R330 | RD357330 | Carbon Resistor (chip) | 33.0K 63M J RECT. | チ ッ ブ 抵 抗 | | 01 |
| R332 | RD357470 | Carbon Resistor (chip) | 47.0K 63M J RECT. | チ ッ ブ 抵 抗 | | 01 |
| R333 | RD358220 | Carbon Resistor (chip) | 220.0K 63M J RECT. | チ ッ ブ 抵 抗 | | 01 |
| R334 | RF356470 | Carbon Resistor (chip) | 4.7K D 1608 | チ ッ ブ 抵 抗 | | 01 |
| R351 | RD357100 | Carbon Resistor (chip) | 10.0K 63M J RECT. | チ ッ ブ 抵 抗 | | 01 |
| R352 | RD357100 | Carbon Resistor (chip) | 10.0K 63M J RECT. | チ ッ ブ 抵 抗 | | 01 |
| R353 | RD355680 | Carbon Resistor (chip) | 680.0 63M J RECT. | チ ッ ブ 抵 抗 | | 01 |
| R354 | RD355680 | Carbon Resistor (chip) | 680.0 63M J RECT. | チ ッ ブ 抵 抗 | | 01 |
| R355 | RD356270 | Carbon Resistor (chip) | 2.7K 63M J RECT. | チ ッ ブ 抵 抗 | | 01 |
| R356 | RD356270 | Carbon Resistor (chip) | 2.7K 63M J RECT. | チ ッ ブ 抵 抗 | | 01 |
| R357 | RD357100 | Carbon Resistor (chip) | 10.0K 63M J RECT. | チ ッ ブ 抵 抗 | | 01 |
| -360 | RD357100 | Carbon Resistor (chip) | 10.0K 63M J RECT. | チ ッ ブ 抵 抗 | | 01 |
| R361 | RD355680 | Carbon Resistor (chip) | 680.0 63M J RECT. | チ ッ ブ 抵 抗 | | 01 |
| R362 | RD355680 | Carbon Resistor (chip) | 680.0 63M J RECT. | チ ッ ブ 抵 抗 | | 01 |
| R363 | RD356270 | Carbon Resistor (chip) | 2.7K 63M J RECT. | チ ッ ブ 抵 抗 | | 01 |
| -366 | RD356270 | Carbon Resistor (chip) | 2.7K 63M J RECT. | チ ッ ブ 抵 抗 | | 01 |
| R367 | RD358100 | Carbon Resistor (chip) | 100.0K 63M J RECT. | チ ッ ブ 抵 抗 | | 01 |
| R368 | RD357100 | Carbon Resistor (chip) | 10.0K 63M J RECT. | チ ッ ブ 抵 抗 | | 01 |
| R369 | RD358100 | Carbon Resistor (chip) | 100.0K 63M J RECT. | チ ッ ブ 抵 抗 | | 01 |
| R370 | RD356470 | Carbon Resistor (chip) | 4.7K 63M J RECT. | チ ッ ブ 抵 抗 | | 01 |
| R371 | HF456330 | Carbon Resistor | 3.3K 1/4 J AX TP | カ ー ボ ン 抵 抗 | | 01 |
| R372 | RD358100 | Carbon Resistor (chip) | 100.0K 63M J RECT. | チ ッ ブ 抵 抗 | | 01 |
| R375 | RD357180 | Carbon Resistor (chip) | 18.0K 63M J RECT. | チ ッ ブ 抵 抗 | | 01 |
| R376 | RD357180 | Carbon Resistor (chip) | 18.0K 63M J RECT. | チ ッ ブ 抵 抗 | | 01 |
| R379 | RD357180 | Carbon Resistor (chip) | 18.0K 63M J RECT. | チ ッ ブ 抵 抗 | | 01 |
| R380 | RD357180 | Carbon Resistor (chip) | 18.0K 63M J RECT. | チ ッ ブ 抵 抗 | | 01 |
| R381 | RD357220 | Carbon Resistor (chip) | 22.0K 63M J RECT. | チ ッ ブ 抵 抗 | | 01 |
| R382 | RD357220 | Carbon Resistor (chip) | 22.0K 63M J RECT. | チ ッ ブ 抵 抗 | | 01 |
| R383 | RD356470 | Carbon Resistor (chip) | 4.7K 63M J RECT. | チ ッ ブ 抵 抗 | | 01 |
| R384 | RD356470 | Carbon Resistor (chip) | 4.7K 63M J RECT. | チ ッ ブ 抵 抗 | | 01 |
| R387 | RD357180 | Carbon Resistor (chip) | 18.0K 63M J RECT. | チ ッ ブ 抵 抗 | | 01 |
| R388 | RD357180 | Carbon Resistor (chip) | 18.0K 63M J RECT. | チ ッ ブ 抵 抗 | | 01 |
| R389 | RD357120 | Carbon Resistor (chip) | 12.0K 63M J RECT. | チ ッ ブ 抵 抗 | | 01 |
| R401 | HB026680 | Metal Film Resistor | 6.8K 1/4 F AX TP | 金 属 被 膜 抵 抗 | | 01 |
| R402 | HB026680 | Metal Film Resistor | 6.8K 1/4 F AX TP | 金 属 被 膜 抵 抗 | | 01 |
| R403 | RD354100 | Carbon Resistor (chip) | 10.0 63M J RECT. | チ ッ ブ 抵 抗 | | 01 |
| R404 | RD354100 | Carbon Resistor (chip) | 10.0 63M J RECT. | チ ッ ブ 抵 抗 | | 01 |
| R405 | RD357100 | Carbon Resistor (chip) | 10.0K 63M J RECT. | チ ッ ブ 抵 抗 | | 01 |
| R406 | RD357100 | Carbon Resistor (chip) | 10.0K 63M J RECT. | チ ッ ブ 抵 抗 | | 01 |
| R407 | RF357470 | Carbon Resistor (chip) | 47.0K D 1608 | チ ッ ブ 抵 抗 | | 01 |
| R408 | RF357470 | Carbon Resistor (chip) | 47.0K D 1608 | チ ッ ブ 抵 抗 | | 01 |
| R409 | RD354100 | Carbon Resistor (chip) | 10.0 63M J RECT. | チ ッ ブ 抵 抗 | | 01 |
| R410 | RD354100 | Carbon Resistor (chip) | 10.0 63M J RECT. | チ ッ ブ 抵 抗 | | 01 |
| R411 | RD356220 | Carbon Resistor (chip) | 2.2K 63M J RECT. | チ ッ ブ 抵 抗 | | 01 |
| R412 | RD356220 | Carbon Resistor (chip) | 2.2K 63M J RECT. | チ ッ ブ 抵 抗 | | 01 |
| R413 | RF356220 | Carbon Resistor (chip) | 2.2K D 1608 | チ ッ ブ 抵 抗 | | 01 |
| R414 | RF356820 | Carbon Resistor (chip) | 8.2K D 1608 | チ ッ ブ 抵 抗 | | 01 |
| R415 | RF355680 | Carbon Resistor (chip) | 680.0 D 1608 | チ ッ ブ 抵 抗 | | 01 |
| R419 | RF356820 | Carbon Resistor (chip) | 8.2K D 1608 | チ ッ ブ 抵 抗 | | 01 |
| R420 | RF356220 | Carbon Resistor (chip) | 2.2K D 1608 | チ ッ ブ 抵 抗 | | 01 |
| R422 | RF356680 | Carbon Resistor (chip) | 6.8K D 1608 | チ ッ ブ 抵 抗 | | 01 |
| R423 | RF356680 | Carbon Resistor (chip) | 6.8K D 1608 | チ ッ ブ 抵 抗 | | 01 |
| R424 | RD354470 | Carbon Resistor (chip) | 47.0 63M J RECT. | チ ッ ブ 抵 抗 | | 01 |
| R425 | RD354470 | Carbon Resistor (chip) | 47.0 63M J RECT. | チ ッ ブ 抵 抗 | | 01 |
| R426 | RD357150 | Carbon Resistor (chip) | 15.0K 63M J RECT. | チ ッ ブ 抵 抗 | | 01 |
| R427 | RD357150 | Carbon Resistor (chip) | 15.0K 63M J RECT. | チ ッ ブ 抵 抗 | | 01 |
| R428 | RD357470 | Carbon Resistor (chip) | 47.0K 63M J RECT. | チ ッ ブ 抵 抗 | | 01 |
| R429 | RD357150 | Carbon Resistor (chip) | 15.0K 63M J RECT. | チ ッ ブ 抵 抗 | | 01 |
| R430 | RD357330 | Carbon Resistor (chip) | 33.0K 63M J RECT. | チ ッ ブ 抵 抗 | | 01 |
| R432 | RD357470 | Carbon Resistor (chip) | 47.0K 63M J RECT. | チ ッ ブ 抵 抗 | | 01 |
| R433 | RD358220 | Carbon Resistor (chip) | 220.0K 63M J RECT. | チ ッ ブ 抵 抗 | | 01 |
| R434 | RF356470 | Carbon Resistor (chip) | 4.7K D 1608 | チ ッ ブ 抵 抗 | | 01 |
| R451 | RD357100 | Carbon Resistor (chip) | 10.0K 63M J RECT. | チ ッ ブ 抵 抗 | | 01 |
| R452 | RD357100 | Carbon Resistor (chip) | 10.0K 63M J RECT. | チ ッ ブ 抵 抗 | | 01 |
| R453 | RD355680 | Carbon Resistor (chip) | 680.0 63M J RECT. | チ ッ ブ 抵 抗 | | 01 |
| R454 | RD355680 | Carbon Resistor (chip) | 680.0 63M J RECT. | チ ッ ブ 抵 抗 | | 01 |
| R455 | RD356270 | Carbon Resistor (chip) | 2.7K 63M J RECT. | チ ッ ブ 抵 抗 | | 01 |
| R456 | RD356270 | Carbon Resistor (chip) | 2.7K 63M J RECT. | チ ッ ブ 抵 抗 | | 01 |
| R457 | RD357100 | Carbon Resistor (chip) | 10.0K 63M J RECT. | チ ッ ブ 抵 抗 | | 01 |

*: New Parts

RANK: Japan only

MAIN10U

| REF NO. | PART NO. | DESCRIPTION | 部 品 名 | REMARKS | QTY | RANK |
|---------|----------|------------------------|--------------------|-------------|-----|------|
| -460 | RD357100 | Carbon Resistor (chip) | 10.0K 63M J RECT. | チ ッ プ 抵 抗 | | 01 |
| R461 | RD355680 | Carbon Resistor (chip) | 680.0 63M J RECT. | チ ッ プ 抵 抗 | | 01 |
| R462 | RD355680 | Carbon Resistor (chip) | 680.0 63M J RECT. | チ ッ プ 抵 抗 | | 01 |
| R463 | RD356270 | Carbon Resistor (chip) | 2.7K 63M J RECT. | チ ッ プ 抵 抗 | | 01 |
| -466 | RD356270 | Carbon Resistor (chip) | 2.7K 63M J RECT. | チ ッ プ 抵 抗 | | 01 |
| R467 | RD358100 | Carbon Resistor (chip) | 100.0K 63M J RECT. | チ ッ プ 抵 抗 | | 01 |
| R468 | RD357100 | Carbon Resistor (chip) | 10.0K 63M J RECT. | チ ッ プ 抵 抗 | | 01 |
| R469 | RD358100 | Carbon Resistor (chip) | 100.0K 63M J RECT. | チ ッ プ 抵 抗 | | 01 |
| R470 | RD356470 | Carbon Resistor (chip) | 4.7K 63M J RECT. | チ ッ プ 抵 抗 | | 01 |
| R471 | HF456330 | Carbon Resistor | 3.3K 1/4 J AX TP | カ ー ボ ン 抵 抗 | | 01 |
| R472 | RD358100 | Carbon Resistor (chip) | 100.0K 63M J RECT. | チ ッ プ 抵 抗 | | 01 |
| R475 | RD357180 | Carbon Resistor (chip) | 18.0K 63M J RECT. | チ ッ プ 抵 抗 | | 01 |
| R476 | RD357180 | Carbon Resistor (chip) | 18.0K 63M J RECT. | チ ッ プ 抵 抗 | | 01 |
| R479 | RD357180 | Carbon Resistor (chip) | 18.0K 63M J RECT. | チ ッ プ 抵 抗 | | 01 |
| R480 | RD357180 | Carbon Resistor (chip) | 18.0K 63M J RECT. | チ ッ プ 抵 抗 | | 01 |
| R481 | RD357220 | Carbon Resistor (chip) | 22.0K 63M J RECT. | チ ッ プ 抵 抗 | | 01 |
| R482 | RD357220 | Carbon Resistor (chip) | 22.0K 63M J RECT. | チ ッ プ 抵 抗 | | 01 |
| R483 | RD356470 | Carbon Resistor (chip) | 4.7K 63M J RECT. | チ ッ プ 抵 抗 | | 01 |
| R484 | RD356470 | Carbon Resistor (chip) | 4.7K 63M J RECT. | チ ッ プ 抵 抗 | | 01 |
| R487 | RD357180 | Carbon Resistor (chip) | 18.0K 63M J RECT. | チ ッ プ 抵 抗 | | 01 |
| R488 | RD357180 | Carbon Resistor (chip) | 18.0K 63M J RECT. | チ ッ プ 抵 抗 | | 01 |
| R489 | RD357120 | Carbon Resistor (chip) | 12.0K 63M J RECT. | チ ッ プ 抵 抗 | | 01 |
| R501 | RD358220 | Carbon Resistor (chip) | 220.0K 63M J RECT. | チ ッ プ 抵 抗 | | 01 |
| -504 | RD358220 | Carbon Resistor (chip) | 220.0K 63M J RECT. | チ ッ プ 抵 抗 | | 01 |
| R505 | RD355220 | Carbon Resistor (chip) | 220.0 63M J RECT. | チ ッ プ 抵 抗 | | 01 |
| -508 | RD355220 | Carbon Resistor (chip) | 220.0 63M J RECT. | チ ッ プ 抵 抗 | | 01 |
| R509 | RD357180 | Carbon Resistor (chip) | 18.0K 63M J RECT. | チ ッ プ 抵 抗 | | 01 |
| -512 | RD357180 | Carbon Resistor (chip) | 18.0K 63M J RECT. | チ ッ プ 抵 抗 | | 01 |
| R513 | RD355220 | Carbon Resistor (chip) | 220.0 63M J RECT. | チ ッ プ 抵 抗 | | 01 |
| -516 | RD355220 | Carbon Resistor (chip) | 220.0 63M J RECT. | チ ッ プ 抵 抗 | | 01 |
| R517 | RD356820 | Carbon Resistor (chip) | 8.2K 63M J RECT. | チ ッ プ 抵 抗 | | 01 |
| -520 | RD356820 | Carbon Resistor (chip) | 8.2K 63M J RECT. | チ ッ プ 抵 抗 | | 01 |
| R521 | RD357180 | Carbon Resistor (chip) | 18.0K 63M J RECT. | チ ッ プ 抵 抗 | | 01 |
| -524 | RD357180 | Carbon Resistor (chip) | 18.0K 63M J RECT. | チ ッ プ 抵 抗 | | 01 |
| R525 | RD358220 | Carbon Resistor (chip) | 220.0K 63M J RECT. | チ ッ プ 抵 抗 | | 01 |
| R526 | RD358220 | Carbon Resistor (chip) | 220.0K 63M J RECT. | チ ッ プ 抵 抗 | | 01 |
| R531 | RD357390 | Carbon Resistor (chip) | 39.0K 63M J RECT. | チ ッ プ 抵 抗 | | 01 |
| -534 | RD357390 | Carbon Resistor (chip) | 39.0K 63M J RECT. | チ ッ プ 抵 抗 | | 01 |
| R535 | RD357180 | Carbon Resistor (chip) | 18.0K 63M J RECT. | チ ッ プ 抵 抗 | | 01 |
| R536 | RD357180 | Carbon Resistor (chip) | 18.0K 63M J RECT. | チ ッ プ 抵 抗 | | 01 |
| R537 | RD357220 | Carbon Resistor (chip) | 22.0K 63M J RECT. | チ ッ プ 抵 抗 | | 01 |
| R538 | RD357220 | Carbon Resistor (chip) | 22.0K 63M J RECT. | チ ッ プ 抵 抗 | | 01 |
| R539 | RD357390 | Carbon Resistor (chip) | 39.0K 63M J RECT. | チ ッ プ 抵 抗 | | 01 |
| R540 | RD357390 | Carbon Resistor (chip) | 39.0K 63M J RECT. | チ ッ プ 抵 抗 | | 01 |
| R541 | RD356150 | Carbon Resistor (chip) | 1.5K 63M J RECT. | チ ッ プ 抵 抗 | | 01 |
| R542 | RD356150 | Carbon Resistor (chip) | 1.5K 63M J RECT. | チ ッ プ 抵 抗 | | 01 |
| R543 | RD356100 | Carbon Resistor (chip) | 1.0K 63M J RECT. | チ ッ プ 抵 抗 | | 01 |
| R544 | RD356100 | Carbon Resistor (chip) | 1.0K 63M J RECT. | チ ッ プ 抵 抗 | | 01 |
| R551 | RD357100 | Carbon Resistor (chip) | 10.0K 63M J RECT. | チ ッ プ 抵 抗 | | 01 |
| -554 | RD357100 | Carbon Resistor (chip) | 10.0K 63M J RECT. | チ ッ プ 抵 抗 | | 01 |
| R555 | RD356470 | Carbon Resistor (chip) | 4.7K 63M J RECT. | チ ッ プ 抵 抗 | | 01 |
| -558 | RD356470 | Carbon Resistor (chip) | 4.7K 63M J RECT. | チ ッ プ 抵 抗 | | 01 |
| R559 | RD357100 | Carbon Resistor (chip) | 10.0K 63M J RECT. | チ ッ プ 抵 抗 | | 01 |
| R560 | RD357330 | Carbon Resistor (chip) | 33.0K 63M J RECT. | チ ッ プ 抵 抗 | | 01 |
| R561 | RD357100 | Carbon Resistor (chip) | 10.0K 63M J RECT. | チ ッ プ 抵 抗 | | 01 |
| R562 | RD357330 | Carbon Resistor (chip) | 33.0K 63M J RECT. | チ ッ プ 抵 抗 | | 01 |
| R563 | RD357100 | Carbon Resistor (chip) | 10.0K 63M J RECT. | チ ッ プ 抵 抗 | | 01 |
| R564 | RD357330 | Carbon Resistor (chip) | 33.0K 63M J RECT. | チ ッ プ 抵 抗 | | 01 |
| R565 | RD357100 | Carbon Resistor (chip) | 10.0K 63M J RECT. | チ ッ プ 抵 抗 | | 01 |
| R566 | RD357330 | Carbon Resistor (chip) | 33.0K 63M J RECT. | チ ッ プ 抵 抗 | | 01 |
| R567 | RD356560 | Carbon Resistor (chip) | 5.6K 63M J RECT. | チ ッ プ 抵 抗 | | 01 |
| -570 | RD356560 | Carbon Resistor (chip) | 5.6K 63M J RECT. | チ ッ プ 抵 抗 | | 01 |
| R575 | RD357180 | Carbon Resistor (chip) | 18.0K 63M J RECT. | チ ッ プ 抵 抗 | | 01 |
| -578 | RD357180 | Carbon Resistor (chip) | 18.0K 63M J RECT. | チ ッ プ 抵 抗 | | 01 |
| R583 | RD357180 | Carbon Resistor (chip) | 18.0K 63M J RECT. | チ ッ プ 抵 抗 | | 01 |
| -586 | RD357180 | Carbon Resistor (chip) | 18.0K 63M J RECT. | チ ッ プ 抵 抗 | | 01 |
| R587 | RD357220 | Carbon Resistor (chip) | 22.0K 63M J RECT. | チ ッ プ 抵 抗 | | 01 |
| -590 | RD357220 | Carbon Resistor (chip) | 22.0K 63M J RECT. | チ ッ プ 抵 抗 | | 01 |
| R593 | RD356470 | Carbon Resistor (chip) | 4.7K 63M J RECT. | チ ッ プ 抵 抗 | | 01 |
| R594 | RD356470 | Carbon Resistor (chip) | 4.7K 63M J RECT. | チ ッ プ 抵 抗 | | 01 |

*: New Parts

RANK: Japan only

MAIN10U

| REF NO. | PART NO. | DESCRIPTION | 部 品 名 | REMARKS | QTY | RANK |
|---------|----------|------------------------|--------------------|-------------|-----|------|
| R597 | RD356470 | Carbon Resistor (chip) | 4.7K 63M J RECT. | チ ッ ブ 抵 抗 | | 01 |
| R598 | RD356470 | Carbon Resistor (chip) | 4.7K 63M J RECT. | チ ッ ブ 抵 抗 | | 01 |
| R599 | RD357180 | Carbon Resistor (chip) | 18.0K 63M J RECT. | チ ッ ブ 抵 抗 | | 01 |
| R600 | RD357180 | Carbon Resistor (chip) | 18.0K 63M J RECT. | チ ッ ブ 抵 抗 | | 01 |
| R601 | RD357120 | Carbon Resistor (chip) | 12.0K 63M J RECT. | チ ッ ブ 抵 抗 | | 01 |
| R602 | RD357180 | Carbon Resistor (chip) | 18.0K 63M J RECT. | チ ッ ブ 抵 抗 | | 01 |
| R603 | RD357180 | Carbon Resistor (chip) | 18.0K 63M J RECT. | チ ッ ブ 抵 抗 | | 01 |
| R604 | RD357120 | Carbon Resistor (chip) | 12.0K 63M J RECT. | チ ッ ブ 抵 抗 | | 01 |
| R605 | RD356820 | Carbon Resistor (chip) | 8.2K 63M J RECT. | チ ッ ブ 抵 抗 | | 01 |
| -608 | RD356820 | Carbon Resistor (chip) | 8.2K 63M J RECT. | チ ッ ブ 抵 抗 | | 01 |
| R701 | RD354750 | Carbon Resistor (chip) | 75.0 63M J RECT. | チ ッ ブ 抵 抗 | | 01 |
| -710 | RD354750 | Carbon Resistor (chip) | 75.0 63M J RECT. | チ ッ ブ 抵 抗 | | 01 |
| R801 | RD358220 | Carbon Resistor (chip) | 220.0K 63M J RECT. | チ ッ ブ 抵 抗 | | 01 |
| R802 | RD358220 | Carbon Resistor (chip) | 220.0K 63M J RECT. | チ ッ ブ 抵 抗 | | 01 |
| R803 | RD357180 | Carbon Resistor (chip) | 18.0K 63M J RECT. | チ ッ ブ 抵 抗 | | 01 |
| -806 | RD357180 | Carbon Resistor (chip) | 18.0K 63M J RECT. | チ ッ ブ 抵 抗 | | 01 |
| R807 | RD357680 | Carbon Resistor (chip) | 68.0K 63M J RECT. | チ ッ ブ 抵 抗 | | 01 |
| R808 | RD357390 | Carbon Resistor (chip) | 39.0K 63M J RECT. | チ ッ ブ 抵 抗 | | 01 |
| R809 | RD357390 | Carbon Resistor (chip) | 39.0K 63M J RECT. | チ ッ ブ 抵 抗 | | 01 |
| R810 | RD358100 | Carbon Resistor (chip) | 100.0K 63M J RECT. | チ ッ ブ 抵 抗 | | 01 |
| R815 | RD356680 | Carbon Resistor (chip) | 6.8K 63M J RECT. | チ ッ ブ 抵 抗 | | 01 |
| R816 | RD356180 | Carbon Resistor (chip) | 1.8K 63M J RECT. | チ ッ ブ 抵 抗 | | 01 |
| R817 | RD356680 | Carbon Resistor (chip) | 6.8K 63M J RECT. | チ ッ ブ 抵 抗 | | 01 |
| R818 | RD356180 | Carbon Resistor (chip) | 1.8K 63M J RECT. | チ ッ ブ 抵 抗 | | 01 |
| R823 | RD357180 | Carbon Resistor (chip) | 18.0K 63M J RECT. | チ ッ ブ 抵 抗 | | 01 |
| -826 | RD357180 | Carbon Resistor (chip) | 18.0K 63M J RECT. | チ ッ ブ 抵 抗 | | 01 |
| R831 | RD356470 | Carbon Resistor (chip) | 4.7K 63M J RECT. | チ ッ ブ 抵 抗 | | 01 |
| R832 | RD356470 | Carbon Resistor (chip) | 4.7K 63M J RECT. | チ ッ ブ 抵 抗 | | 01 |
| R833 | RD356100 | Carbon Resistor (chip) | 1.0K 63M J RECT. | チ ッ ブ 抵 抗 | | 01 |
| R834 | RD356100 | Carbon Resistor (chip) | 1.0K 63M J RECT. | チ ッ ブ 抵 抗 | | 01 |
| R835 | RD357100 | Carbon Resistor (chip) | 10.0K 63M J RECT. | チ ッ ブ 抵 抗 | | 01 |
| -838 | RD357100 | Carbon Resistor (chip) | 10.0K 63M J RECT. | チ ッ ブ 抵 抗 | | 01 |
| R839 | RD358100 | Carbon Resistor (chip) | 100.0K 63M J RECT. | チ ッ ブ 抵 抗 | | 01 |
| -844 | RD358100 | Carbon Resistor (chip) | 100.0K 63M J RECT. | チ ッ ブ 抵 抗 | | 01 |
| R845 | HF455220 | Carbon Resistor | 220.0 1/4 J AX TP | カ ー ボ ン 抵 抗 | | 01 |
| -848 | HF455220 | Carbon Resistor | 220.0 1/4 J AX TP | カ ー ボ ン 抵 抗 | | 01 |
| R849 | RD357390 | Carbon Resistor (chip) | 39.0K 63M J RECT. | チ ッ ブ 抵 抗 | | 01 |
| R850 | RD357390 | Carbon Resistor (chip) | 39.0K 63M J RECT. | チ ッ ブ 抵 抗 | | 01 |
| R851 | RD356220 | Carbon Resistor (chip) | 2.2K 63M J RECT. | チ ッ ブ 抵 抗 | | 01 |
| R852 | RD356220 | Carbon Resistor (chip) | 2.2K 63M J RECT. | チ ッ ブ 抵 抗 | | 01 |
| R853 | RD356470 | Carbon Resistor (chip) | 4.7K 63M J RECT. | チ ッ ブ 抵 抗 | | 01 |
| R854 | RD356270 | Carbon Resistor (chip) | 2.7K 63M J RECT. | チ ッ ブ 抵 抗 | | 01 |
| R855 | RD356470 | Carbon Resistor (chip) | 4.7K 63M J RECT. | チ ッ ブ 抵 抗 | | 01 |
| R856 | RD356270 | Carbon Resistor (chip) | 2.7K 63M J RECT. | チ ッ ブ 抵 抗 | | 01 |
| R857 | RD356470 | Carbon Resistor (chip) | 4.7K 63M J RECT. | チ ッ ブ 抵 抗 | | 01 |
| R858 | RD356470 | Carbon Resistor (chip) | 4.7K 63M J RECT. | チ ッ ブ 抵 抗 | | 01 |
| R859 | RD357330 | Carbon Resistor (chip) | 33.0K 63M J RECT. | チ ッ ブ 抵 抗 | | 01 |
| -862 | RD357330 | Carbon Resistor (chip) | 33.0K 63M J RECT. | チ ッ ブ 抵 抗 | | 01 |
| R863 | RD357100 | Carbon Resistor (chip) | 10.0K 63M J RECT. | チ ッ ブ 抵 抗 | | 01 |
| R864 | RD357100 | Carbon Resistor (chip) | 10.0K 63M J RECT. | チ ッ ブ 抵 抗 | | 01 |
| R865 | RD358100 | Carbon Resistor (chip) | 100.0K 63M J RECT. | チ ッ ブ 抵 抗 | | 01 |
| R866 | RD358100 | Carbon Resistor (chip) | 100.0K 63M J RECT. | チ ッ ブ 抵 抗 | | 01 |
| R867 | RD356470 | Carbon Resistor (chip) | 4.7K 63M J RECT. | チ ッ ブ 抵 抗 | | 01 |
| R868 | RD356470 | Carbon Resistor (chip) | 4.7K 63M J RECT. | チ ッ ブ 抵 抗 | | 01 |
| R871 | RD356470 | Carbon Resistor (chip) | 4.7K 63M J RECT. | チ ッ ブ 抵 抗 | | 01 |
| R872 | RD356470 | Carbon Resistor (chip) | 4.7K 63M J RECT. | チ ッ ブ 抵 抗 | | 01 |
| R873 | RD357680 | Carbon Resistor (chip) | 68.0K 63M J RECT. | チ ッ ブ 抵 抗 | | 01 |
| R874 | RD357680 | Carbon Resistor (chip) | 68.0K 63M J RECT. | チ ッ ブ 抵 抗 | | 01 |
| R875 | HF455680 | Carbon Resistor | 680.0 1/4 J AX TP | カ ー ボ ン 抵 抗 | | 01 |
| R876 | HF455680 | Carbon Resistor | 680.0 1/4 J AX TP | カ ー ボ ン 抵 抗 | | 01 |
| R879 | HF455680 | Carbon Resistor | 680.0 1/4 J AX TP | カ ー ボ ン 抵 抗 | | 01 |
| R880 | HF455680 | Carbon Resistor | 680.0 1/4 J AX TP | カ ー ボ ン 抵 抗 | | 01 |
| R881 | HF456330 | Carbon Resistor | 3.3K 1/4 J AX TP | カ ー ボ ン 抵 抗 | | 01 |
| R882 | RD358100 | Carbon Resistor (chip) | 100.0K 63M J RECT. | チ ッ ブ 抵 抗 | | 01 |
| R883 | HF456330 | Carbon Resistor | 3.3K 1/4 J AX TP | カ ー ボ ン 抵 抗 | | 01 |
| R884 | RD358100 | Carbon Resistor (chip) | 100.0K 63M J RECT. | チ ッ ブ 抵 抗 | | 01 |
| R885 | RD357680 | Carbon Resistor (chip) | 68.0K 63M J RECT. | チ ッ ブ 抵 抗 | | 01 |
| R886 | RD357680 | Carbon Resistor (chip) | 68.0K 63M J RECT. | チ ッ ブ 抵 抗 | | 01 |
| R887 | HF455680 | Carbon Resistor | 680.0 1/4 J AX TP | カ ー ボ ン 抵 抗 | | 01 |
| R888 | HF455680 | Carbon Resistor | 680.0 1/4 J AX TP | カ ー ボ ン 抵 抗 | | 01 |

*: New Parts

RANK: Japan only

MAIN10U

| REF NO. | PART NO. | DESCRIPTION | 部 品 名 | REMARKS | QTY | RANK |
|---------|----------|--------------------------|--------------------|-------------------|--------------------------|------|
| R889 | HF456330 | Carbon Resistor | 3.3K 1/4 J AX TP | カ ー ボ ン 抵 抗 | | 01 |
| R890 | HF456330 | Carbon Resistor | 3.3K 1/4 J AX TP | カ ー ボ ン 抵 抗 | | 01 |
| R891 | HV754100 | Flame Proof C. Resistor | 10.0 1/4 J RX TP | 不 燃 化 カ ー ボ ン 抵 抗 | | 01 |
| R892 | HV754100 | Flame Proof C. Resistor | 10.0 1/4 J RX TP | 不 燃 化 カ ー ボ ン 抵 抗 | | 01 |
| R893 | HF456330 | Carbon Resistor | 3.3K 1/4 J AX TP | カ ー ボ ン 抵 抗 | | 01 |
| R894 | HV755100 | Flame Proof C. Resistor | 100.0 1/4 J RX TP | 不 燃 化 カ ー ボ ン 抵 抗 | | 01 |
| R895 | HF456330 | Carbon Resistor | 3.3K 1/4 J AX TP | カ ー ボ ン 抵 抗 | | 01 |
| -900 | HF456330 | Carbon Resistor | 3.3K 1/4 J AX TP | カ ー ボ ン 抵 抗 | | 01 |
| R951 | RD357100 | Carbon Resistor (chip) | 10.0K 63M J RECT. | チ ッ プ 抵 抗 | | 01 |
| R952 | RD356820 | Carbon Resistor (chip) | 8.2K 63M J RECT. | チ ッ プ 抵 抗 | | 01 |
| R953 | RD357100 | Carbon Resistor (chip) | 10.0K 63M J RECT. | チ ッ プ 抵 抗 | | 01 |
| R954 | RD356820 | Carbon Resistor (chip) | 8.2K 63M J RECT. | チ ッ プ 抵 抗 | | 01 |
| RJ01 | RD350000 | Carbon Resistor (chip) | 0 63M J RECT. | チ ッ プ 抵 抗 | | 01 |
| -11 | RD350000 | Carbon Resistor (chip) | 0 63M J RECT. | チ ッ プ 抵 抗 | | 01 |
| SW101 | WH918700 | Push Switch | PS-22E85L-02 | プ ッ シ ュ S W | 80(CH1) | |
| SW201 | WH918700 | Push Switch | PS-22E85L-02 | プ ッ シ ュ S W | 80(CH2) | |
| SW301 | WH918700 | Push Switch | PS-22E85L-02 | プ ッ シ ュ S W | 80(CH3/4) | |
| SW401 | WH918700 | Push Switch | PS-22E85L-02 | プ ッ シ ュ S W | 80(CH5/6) | |
| SW551 | WH918800 | Push Switch | PS-42E85L-02 | プ ッ シ ュ S W | TO STEREO/TO MONITOR | |
| SW801 | WH918700 | Push Switch | PS-22E85L-02 | プ ッ シ ュ S W | PHANTOM +48V/CH1-5/6 MIC | |
| VR101 | WH249400 | Rotary Variable Resistor | RD 20.0K XV09213YN | ロ ー タ リ ー V R | GAIN(CH1) | |
| VR102 | WH410900 | Rotary Variable Resistor | B 50.0K XV012313YG | 二 連 ロ ー タ リ ー V R | COMP(CH1) | |
| VR151 | V8264700 | Rotary Variable Resistor | B 50.0K XV09213YNP | ロ ー タ リ ー V R | LOW(CH1) | 03 |
| VR152 | V8264700 | Rotary Variable Resistor | B 50.0K XV09213YNP | ロ ー タ リ ー V R | MID(CH1) | 03 |
| VR153 | V8264700 | Rotary Variable Resistor | B 50.0K XV09213YNP | ロ ー タ リ ー V R | HIGH(CH1) | 03 |
| VR154 | V8264600 | Rotary Variable Resistor | A 20.0K XV09213YNP | ロ ー タ リ ー V R | LEVEL(CH1) | 03 |
| VR155 | V9886100 | Rotary Variable Resistor | 15A15C C20K XV0123 | 2 連 ロ ー タ リ ー V R | PAN(CH1) | 04 |
| VR156 | V9791000 | Rotary Variable Resistor | B 20.0K XV09213YNP | ロ ー タ リ ー V R | AUX(CH1) | 03 |
| VR201 | WH249400 | Rotary Variable Resistor | RD 20.0K XV09213YN | ロ ー タ リ ー V R | GAIN(CH2) | |
| VR202 | WH410900 | Rotary Variable Resistor | B 50.0K XV012313YG | 二 連 ロ ー タ リ ー V R | COMP(CH2) | |
| VR251 | V8264700 | Rotary Variable Resistor | B 50.0K XV09213YNP | ロ ー タ リ ー V R | LOW(CH2) | 03 |
| VR252 | V8264700 | Rotary Variable Resistor | B 50.0K XV09213YNP | ロ ー タ リ ー V R | MID(CH2) | 03 |
| VR253 | V8264700 | Rotary Variable Resistor | B 50.0K XV09213YNP | ロ ー タ リ ー V R | HIGH(CH2) | 03 |
| VR254 | V8264600 | Rotary Variable Resistor | A 20.0K XV09213YNP | ロ ー タ リ ー V R | LEVEL(CH2) | 03 |
| VR255 | V9886100 | Rotary Variable Resistor | 15A15C C20K XV0123 | 2 連 ロ ー タ リ ー V R | PAN(CH2) | 04 |
| VR256 | V9791000 | Rotary Variable Resistor | B 20.0K XV09213YNP | ロ ー タ リ ー V R | AUX(CH2) | 03 |
| VR301 | WF704100 | Rotary Variable Resistor | C 20.0K XV012313YG | 2 連 ロ ー タ リ ー V R | GAIN(CH3/4) | 01 |
| VR351 | V9791200 | Rotary Variable Resistor | 1B 50K XV012313YGP | 2 連 ロ ー タ リ ー V R | LOW(CH3/4) | 04 |
| VR352 | V9791200 | Rotary Variable Resistor | 1B 50K XV012313YGP | 2 連 ロ ー タ リ ー V R | MID(CH3/4) | 04 |
| VR353 | V9791200 | Rotary Variable Resistor | 1B 50K XV012313YGP | 2 連 ロ ー タ リ ー V R | HIGH(CH3/4) | 04 |
| VR354 | V8265100 | Rotary Variable Resistor | A 20.0K XV012313 | 2 連 ロ ー タ リ ー V R | LEVEL(CH3/4) | 04 |
| VR355 | V9886100 | Rotary Variable Resistor | 15A15C C20K XV0123 | 2 連 ロ ー タ リ ー V R | PAN/BAL(CH3/4) | 04 |
| VR356 | V9791000 | Rotary Variable Resistor | B 20.0K XV09213YNP | ロ ー タ リ ー V R | AUX(CH3/4) | 03 |
| VR401 | WF704100 | Rotary Variable Resistor | C 20.0K XV012313YG | 2 連 ロ ー タ リ ー V R | GAIN(CH5/6) | 01 |
| VR451 | V9791200 | Rotary Variable Resistor | 1B 50K XV012313YGP | 2 連 ロ ー タ リ ー V R | LOW(CH5/6) | 04 |
| VR452 | V9791200 | Rotary Variable Resistor | 1B 50K XV012313YGP | 2 連 ロ ー タ リ ー V R | MID(CH5/6) | 04 |
| VR453 | V9791200 | Rotary Variable Resistor | 1B 50K XV012313YGP | 2 連 ロ ー タ リ ー V R | HIGH(CH5/6) | 04 |
| VR454 | V8265100 | Rotary Variable Resistor | A 20.0K XV012313 | 2 連 ロ ー タ リ ー V R | LEVEL(CH5/6) | 04 |
| VR455 | V9886100 | Rotary Variable Resistor | 15A15C C20K XV0123 | 2 連 ロ ー タ リ ー V R | PAN/BAL(CH5/6) | 04 |
| VR456 | V9791000 | Rotary Variable Resistor | B 20.0K XV09213YNP | ロ ー タ リ ー V R | AUX(CH5/6) | 03 |
| VR551 | V9791200 | Rotary Variable Resistor | 1B 50K XV012313YGP | 2 連 ロ ー タ リ ー V R | LOW(CH7/8) | 04 |
| VR552 | V9791200 | Rotary Variable Resistor | 1B 50K XV012313YGP | 2 連 ロ ー タ リ ー V R | LOW(CH9/10) | 04 |
| VR553 | V9791200 | Rotary Variable Resistor | 1B 50K XV012313YGP | 2 連 ロ ー タ リ ー V R | HIGH(CH7/8) | 04 |
| VR554 | V9791200 | Rotary Variable Resistor | 1B 50K XV012313YGP | 2 連 ロ ー タ リ ー V R | HIGH(CH9/10) | 04 |
| VR555 | V8265100 | Rotary Variable Resistor | A 20.0K XV012313 | 2 連 ロ ー タ リ ー V R | LEVEL(CH7/8) | 04 |
| VR556 | V8265100 | Rotary Variable Resistor | A 20.0K XV012313 | 2 連 ロ ー タ リ ー V R | LEVEL(CH9/10) | 04 |
| VR557 | V8265100 | Rotary Variable Resistor | A 20.0K XV012313 | 2 連 ロ ー タ リ ー V R | MONITOR MIX | 04 |
| VR558 | V8265100 | Rotary Variable Resistor | A 20.0K XV012313 | 2 連 ロ ー タ リ ー V R | RETURN | 04 |
| VR559 | V9886100 | Rotary Variable Resistor | 15A15C C20K XV0123 | 2 連 ロ ー タ リ ー V R | BAL(CH7/8) | 04 |
| VR560 | V9791000 | Rotary Variable Resistor | B 20.0K XV09213YNP | ロ ー タ リ ー V R | AUX(CH7/8) | 03 |
| VR561 | V9886100 | Rotary Variable Resistor | 15A15C C20K XV0123 | 2 連 ロ ー タ リ ー V R | BAL(CH9/10) | 04 |
| VR562 | V9791000 | Rotary Variable Resistor | B 20.0K XV09213YNP | ロ ー タ リ ー V R | AUX(CH9/10) | 03 |
| VR801 | V8265100 | Rotary Variable Resistor | A 20.0K XV012313 | 2 連 ロ ー タ リ ー V R | LEVEL(STEREO) | 04 |
| VR802 | V8265100 | Rotary Variable Resistor | A 20.0K XV012313 | 2 連 ロ ー タ リ ー V R | LEVEL(MONITOR/PHONES) | 04 |
| W101 | VI878600 | Cable Holder | 51048 8P TE | ケ ー ブ ル ホ ル ダ ー | | 01 |
| W102 | VI878600 | Cable Holder | 51048 8P TE | ケ ー ブ ル ホ ル ダ ー | | 01 |
| W151 | VI878600 | Cable Holder | 51048 8P TE | ケ ー ブ ル ホ ル ダ ー | | 01 |
| W152 | VI878600 | Cable Holder | 51048 8P TE | ケ ー ブ ル ホ ル ダ ー | | 01 |
| W501 | VI878900 | Cable Holder | 51048 11P TE | ケ ー ブ ル ホ ル ダ ー | | 01 |
| W551 | VI878900 | Cable Holder | 51048 11P TE | ケ ー ブ ル ホ ル ダ ー | | 01 |

*: New Parts

RANK: Japan only

MAIN10U and USB

| REF NO. | PART NO. | DESCRIPTION | | 部 品 名 | REMARKS | QTY | RANK |
|---------|----------|----------------------------|--------------------|---------------|-------------------------|-----|------|
| W701 | VI878400 | Cable Holder | 51048 6P TE | ケーブルホルダー | | | 01 |
| W702 | VI878900 | Cable Holder | 51048 11P TE | ケーブルホルダー | | | 01 |
| W801 | VI878400 | Cable Holder | 51048 6P TE | ケーブルホルダー | | | 01 |
| W802 | VI878900 | Cable Holder | 51048 11P TE | ケーブルホルダー | | | 01 |
| ZD51 | VG442900 | Zener Diode | MTZ J 27B 27.0V TP | ツェナーダイオード | | | 01 |
| ZD52 | VG443700 | Zener Diode | MTZ J 33B 33.0V TP | ツェナーダイオード | | | 01 |
| ZD53 | VG441100 | Zener Diode | MTZ J 16B 16.0V TP | ツェナーダイオード | | | 01 |
| ZD54 | VG442900 | Zener Diode | MTZ J 27B 27.0V TP | ツェナーダイオード | | | 01 |
| * | WG336000 | Circuit Board | USB | U S B シ ー ト | (WG33610)(X7196C0) | | |
| C101 | US065100 | Ceramic Capacitor-F (chip) | 0.100 50V Z RECT. | チップセラ F | | | |
| C104 | US065100 | Ceramic Capacitor-F (chip) | 0.100 50V Z RECT. | チップセラ F | | | |
| C108 | UF037100 | Electrolytic Cap. (chip) | 10 16V | チップケミコン | | | 01 |
| C109 | UF037100 | Electrolytic Cap. (chip) | 10 16V | チップケミコン | | | 01 |
| C110 | UF066100 | Electrolytic Cap. (chip) | 1 50V | チップケミコン | | | 01 |
| C111 | US063680 | Ceramic Capacitor-B (chip) | 6800P 50V K RECT. | チップセラ (B) | | | 01 |
| C112 | US063680 | Ceramic Capacitor-B (chip) | 6800P 50V K RECT. | チップセラ (B) | | | 01 |
| C113 | US064100 | Ceramic Capacitor-B (chip) | 0.0100 50V K RECT. | チップセラ (B) | | | 01 |
| C114 | US064100 | Ceramic Capacitor-B (chip) | 0.0100 50V K RECT. | チップセラ (B) | | | 01 |
| C115 | US063150 | Ceramic Capacitor-B (chip) | 1500P 50V K RECT. | チップセラ (B) | | | 01 |
| C116 | US063150 | Ceramic Capacitor-B (chip) | 1500P 50V K RECT. | チップセラ (B) | | | 01 |
| C117 | UF017470 | Electrolytic Cap. (chip) | 47 6.3V | チップケミコン | | | 01 |
| C118 | US064100 | Ceramic Capacitor-B (chip) | 0.0100 50V K RECT. | チップセラ (B) | | | 01 |
| C119 | US064100 | Ceramic Capacitor-B (chip) | 0.0100 50V K RECT. | チップセラ (B) | | | 01 |
| C121 | UF037100 | Electrolytic Cap. (chip) | 10 16V | チップケミコン | | | 01 |
| C122 | UF037100 | Electrolytic Cap. (chip) | 10 16V | チップケミコン | | | 01 |
| C125 | UF037100 | Electrolytic Cap. (chip) | 10 16V | チップケミコン | | | 01 |
| C126 | US126100 | Ceramic Capacitor-F (chip) | 1.0000 10V Z RECT. | チップセラ F | | | 01 |
| C128 | US126100 | Ceramic Capacitor-F (chip) | 1.0000 10V Z RECT. | チップセラ F | | | 01 |
| C130 | US126100 | Ceramic Capacitor-F (chip) | 1.0000 10V Z RECT. | チップセラ F | | | 01 |
| C132 | US126100 | Ceramic Capacitor-F (chip) | 1.0000 10V Z RECT. | チップセラ F | | | 01 |
| C134 | UF037100 | Electrolytic Cap. (chip) | 10 16V | チップケミコン | | | 01 |
| C135 | UF037100 | Electrolytic Cap. (chip) | 10 16V | チップケミコン | | | 01 |
| C137 | US063150 | Ceramic Capacitor-B (chip) | 1500P 50V K RECT. | チップセラ (B) | | | 01 |
| C138 | US063150 | Ceramic Capacitor-B (chip) | 1500P 50V K RECT. | チップセラ (B) | | | 01 |
| C139 | US061180 | Ceramic Capacitor-CH(chip) | 18P 50V J RECT. | チップセラ (C H) | | | 01 |
| C140 | US061180 | Ceramic Capacitor-CH(chip) | 18P 50V J RECT. | チップセラ (C H) | | | 01 |
| C141 | US061680 | Ceramic Capacitor-SL(chip) | 68P 50V J RECT. | チップセラ (S L) | | | 01 |
| C142 | US061680 | Ceramic Capacitor-SL(chip) | 68P 50V J RECT. | チップセラ (S L) | | | 01 |
| C143 | UF037100 | Electrolytic Cap. (chip) | 10 16V | チップケミコン | | | 01 |
| C144 | UF037100 | Electrolytic Cap. (chip) | 10 16V | チップケミコン | | | 01 |
| C150 | US126100 | Ceramic Capacitor-F (chip) | 1.0000 10V Z RECT. | チップセラ F | | | 01 |
| CN101 | VB858800 | Base Post Connector | PH 9P SE | ベースポスト | | | 01 |
| D101 | VT332900 | Diode | 1SS355 TE-17 TP | ダイオード | | | 01 |
| IC101 | X7143A00 | IC | PCM2900E/2K | I C | USB PROTOCOL CONTROLLER | | 09 |
| IC102 | X7256A00 | IC | BA00CC0WFP-E2 3-15 | I C | REGULATOR 3V to 15V | | |
| IC103 | X3505A00 | IC | NJM2068M-D(Te2) | I C | OP AMP | | 02 |
| IC104 | X3505A00 | IC | NJM2068M-D(Te2) | I C | OP AMP | | 02 |
| JK101 | V6802600 | USB Jack | USB 4P SE | U S B ジ ャ ッ ク | USB | | 02 |
| R106 | RD357100 | Carbon Resistor (chip) | 10.0K 63M J RECT. | チップ抵抗 | | | 01 |
| R107 | RD357100 | Carbon Resistor (chip) | 10.0K 63M J RECT. | チップ抵抗 | | | 01 |
| R108 | RD356560 | Carbon Resistor (chip) | 5.6K 63M J RECT. | チップ抵抗 | | | 01 |
| R109 | RD356560 | Carbon Resistor (chip) | 5.6K 63M J RECT. | チップ抵抗 | | | 01 |
| R110 | RD356100 | Carbon Resistor (chip) | 1.0K 63M J RECT. | チップ抵抗 | | | 01 |
| R111 | RD356100 | Carbon Resistor (chip) | 1.0K 63M J RECT. | チップ抵抗 | | | 01 |
| R112 | RD354220 | Carbon Resistor (chip) | 22.0 63M J RECT. | チップ抵抗 | | | 01 |
| R114 | RF357120 | Carbon Resistor (chip) | 12.0K : D 1608 | チップ抵抗 | | | 01 |
| R115 | RF355680 | Carbon Resistor (chip) | 680.0 : D 1608 | チップ抵抗 | | | 01 |
| R116 | RF356620 | Carbon Resistor (chip) | 6.2K : D 1608 | チップ抵抗 | | | 01 |
| R117 | RD356150 | Carbon Resistor (chip) | 1.5K 63M J RECT. | チップ抵抗 | | | 01 |
| R118 | RD356100 | Carbon Resistor (chip) | 1.0K 63M J RECT. | チップ抵抗 | | | 01 |
| R119 | RD356100 | Carbon Resistor (chip) | 1.0K 63M J RECT. | チップ抵抗 | | | 01 |
| R120 | RD354220 | Carbon Resistor (chip) | 22.0 63M J RECT. | チップ抵抗 | | | 01 |
| R131 | RD357100 | Carbon Resistor (chip) | 10.0K 63M J RECT. | チップ抵抗 | | | 01 |
| R132 | RD357100 | Carbon Resistor (chip) | 10.0K 63M J RECT. | チップ抵抗 | | | 01 |
| R133 | RD356100 | Carbon Resistor (chip) | 1.0K 63M J RECT. | チップ抵抗 | | | 01 |
| R134 | RD356560 | Carbon Resistor (chip) | 5.6K 63M J RECT. | チップ抵抗 | | | 01 |
| R135 | RD356560 | Carbon Resistor (chip) | 5.6K 63M J RECT. | チップ抵抗 | | | 01 |
| R136 | RD359100 | Carbon Resistor (chip) | 1.0M 63M J RECT. | チップ抵抗 | | | 01 |
| R137 | RD358100 | Carbon Resistor (chip) | 100.0K 63M J RECT. | チップ抵抗 | | | 01 |

*: New Parts

RANK: Japan only

USB MIXING STUDIO

MW8CX / MW10C

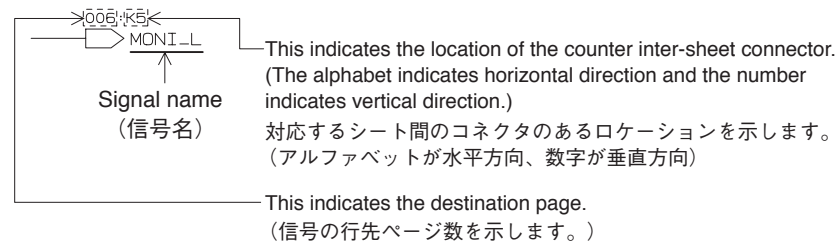
CIRCUIT DIAGRAM

■ CONTENTS (目次)

| | |
|--|----|
| BLOCK DIAGRAM (ブロックダイアグラム) (MW8CX) | 3 |
| BLOCK DIAGRAM (ブロックダイアグラム) (MW10C) | 4 |
| CIRCUIT DIAGRAM (回路図) | |
| DSP (MW8CX) | 5 |
| MAIN8U (MW8CX) | 6 |
| MAIN10U (MW10C)..... | 12 |
| USB | 18 |

Notation for Circuit Diagrams (回路図表記上の注意)

1. How to identify inter-sheet connectors (シート間コネクタの読み方について)



2. Connection of connectors. (コネクタの接続について)

(Example)

to MAIN8U (JACK)-W501

<Page 7: A-2>

Page 7 are the page of a circuit diagram.

(Page 7 は回路図のページです。)

A-2 is indicates the location of the counter inter-sheet connector.

(The alphabet indicates horizontal direction and the number indicates vertical direction)


A-2 は対応するシート間のコネクタのあるロケーションを示します。


(アルファベットが水平方向、数字が垂直方向)

Note: See parts list for details of circuit board component parts.

注：シートの部品詳細はパーツリストをご参照ください。

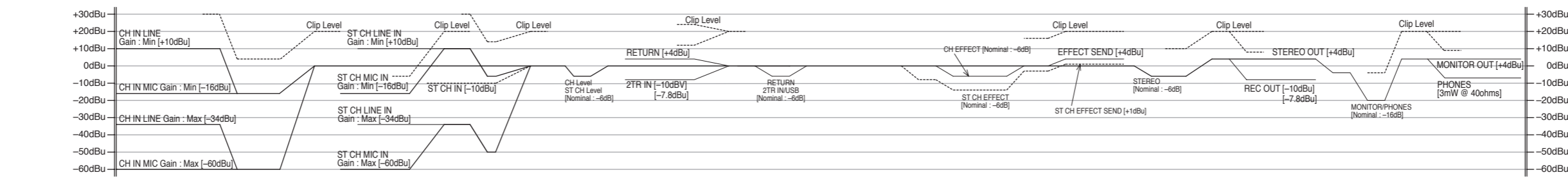
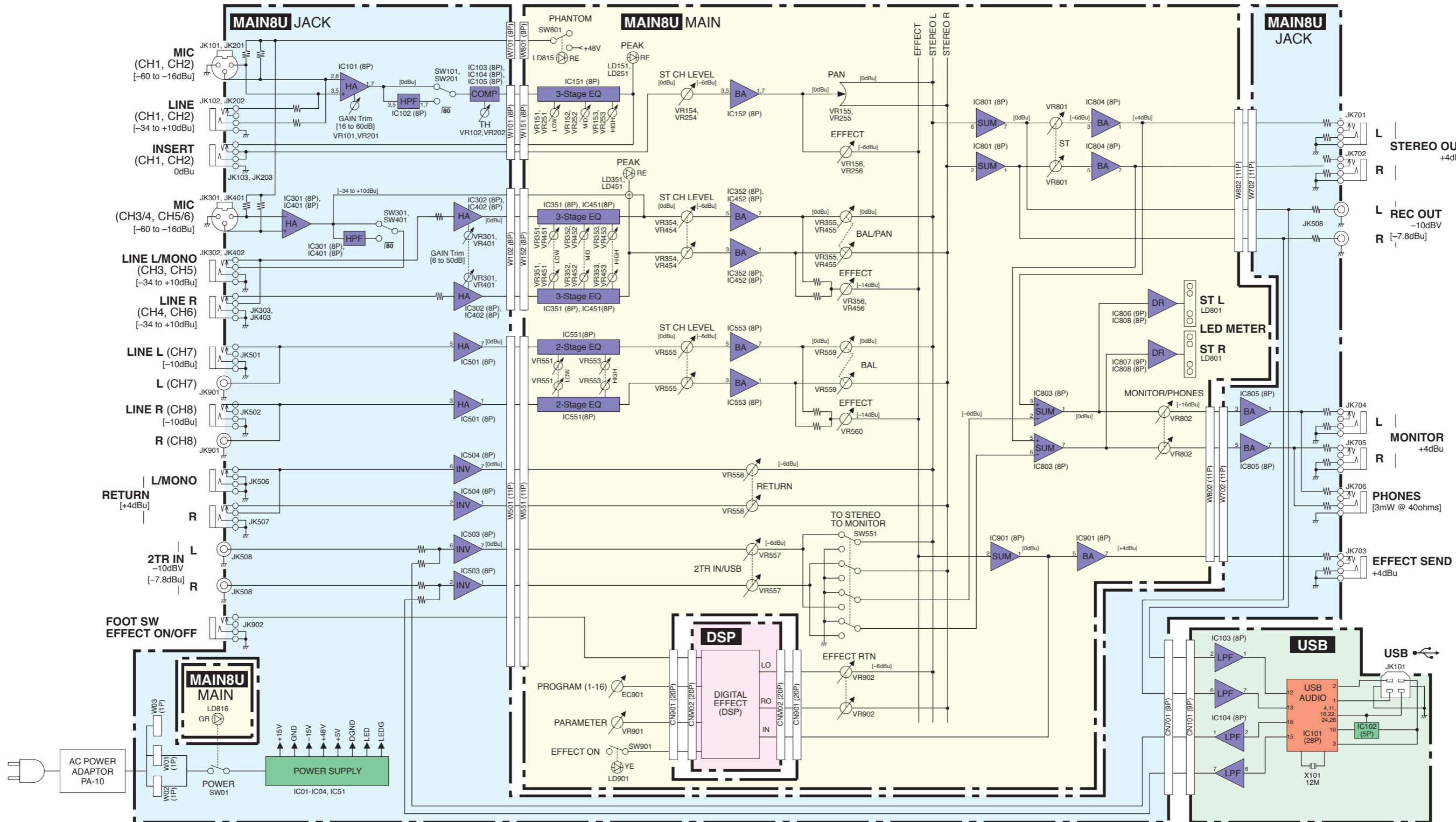
■ WARNING

Components having special characteristics are marked  and must be replaced with parts having specification equal to those originally installed.

 印の部品は、安全を維持するために重要な部品です。交換する場合は、安全のために必ず指定の部品をご使用ください。

BLOCK DIAGRAM (MW8CX)

MW8CX/MW10C



1

1

2

3

4

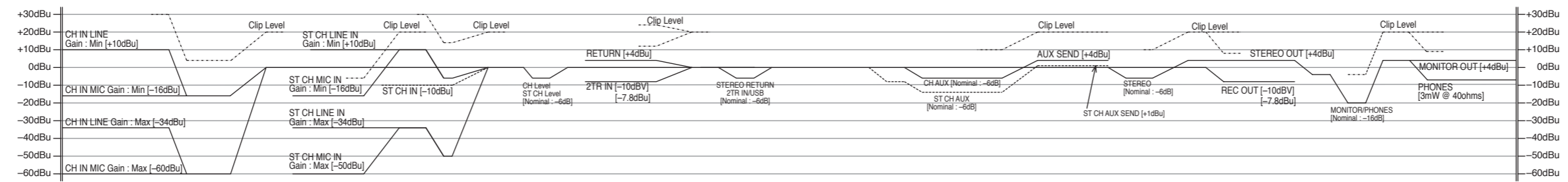
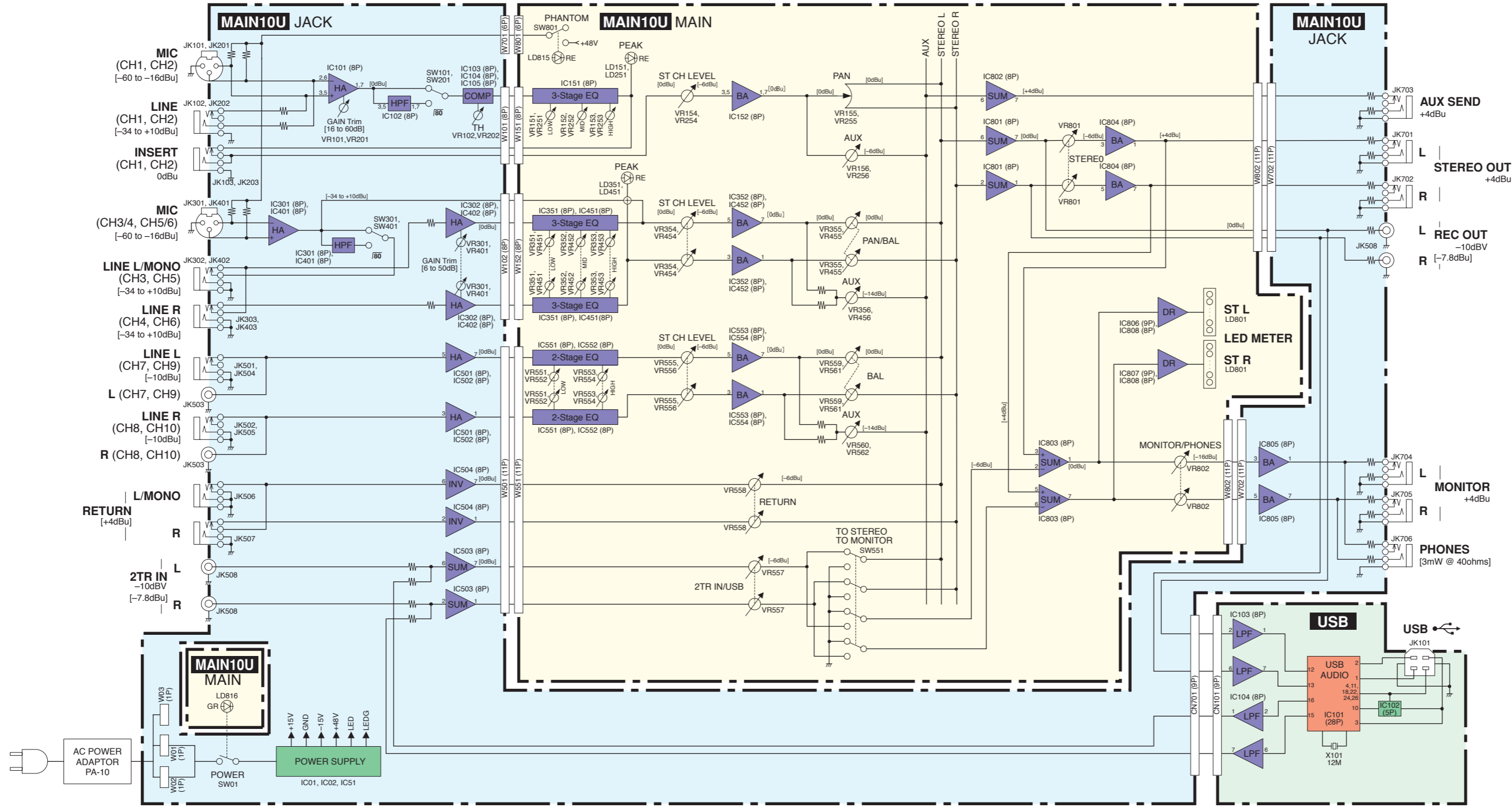
5

3

6

BLOCK DIAGRAM (MW10C)

MW8CX/MW10C

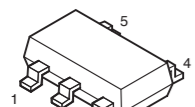


BLOCK DIAGRAM (MW10C)

DSP CIRCUIT DIAGRAM (MW8CX)

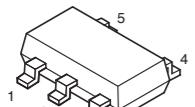
MW8CX/MW10C

• TAR5S33 (XZ642A00)
REGULATOR +3.3V
DSP: ICM06



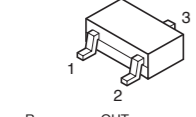
1: CONTROL
2: GND
3: NOISE
4: VOUT
5: VIN

• TAR5S25U (X8138A00)
REGULATOR +2.5V
DSP: ICM12



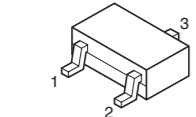
1: CONTROL
2: GND
3: NOISE
4: VOUT
5: VIN

• DTC114EKA TP (VV655400)
DIGITAL TRANSISTOR
DSP: QM01



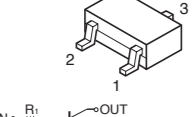
1: GND
2: IN
3: OUT

• 2SC3326-A,B (VD303700)
TRANSISTOR
DSP: QM05

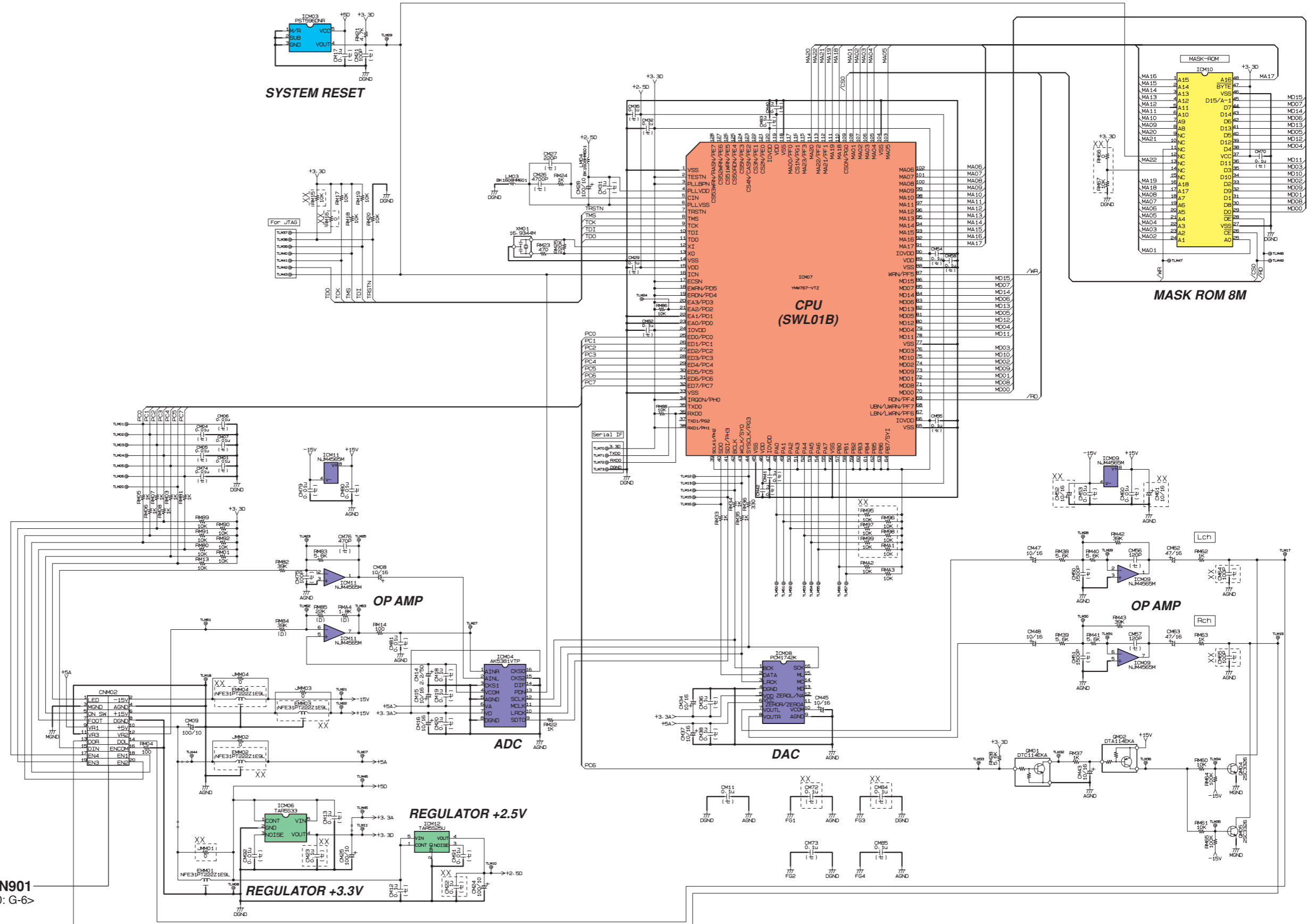


1: BASE
2: EMITTER
3: COLLECTOR

• DTA114EKA TP (VV655000)
DIGITAL TRANSISTOR
DSP: QM02



1: GND (+)
2: IN
3: OUT



to MAIN8U (MAIN)-CN901
<Page 10: G-6>

XX : Not installed (未実装)
(ε) : Ceramic Capacitor (セラミックコンデンサー)

MAIN8U (JACK) CIRCUIT DIAGRAM (MW8CX) 001

MW8CX/MW10C

•MA111 (VR496500)
DIODE
MAIN8U: D101-103, D201-203

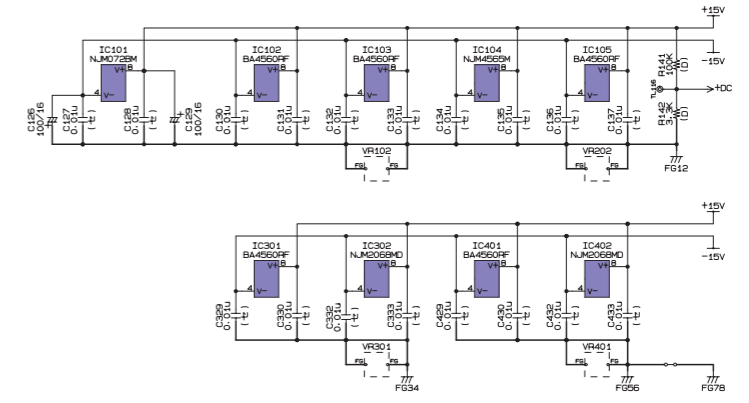
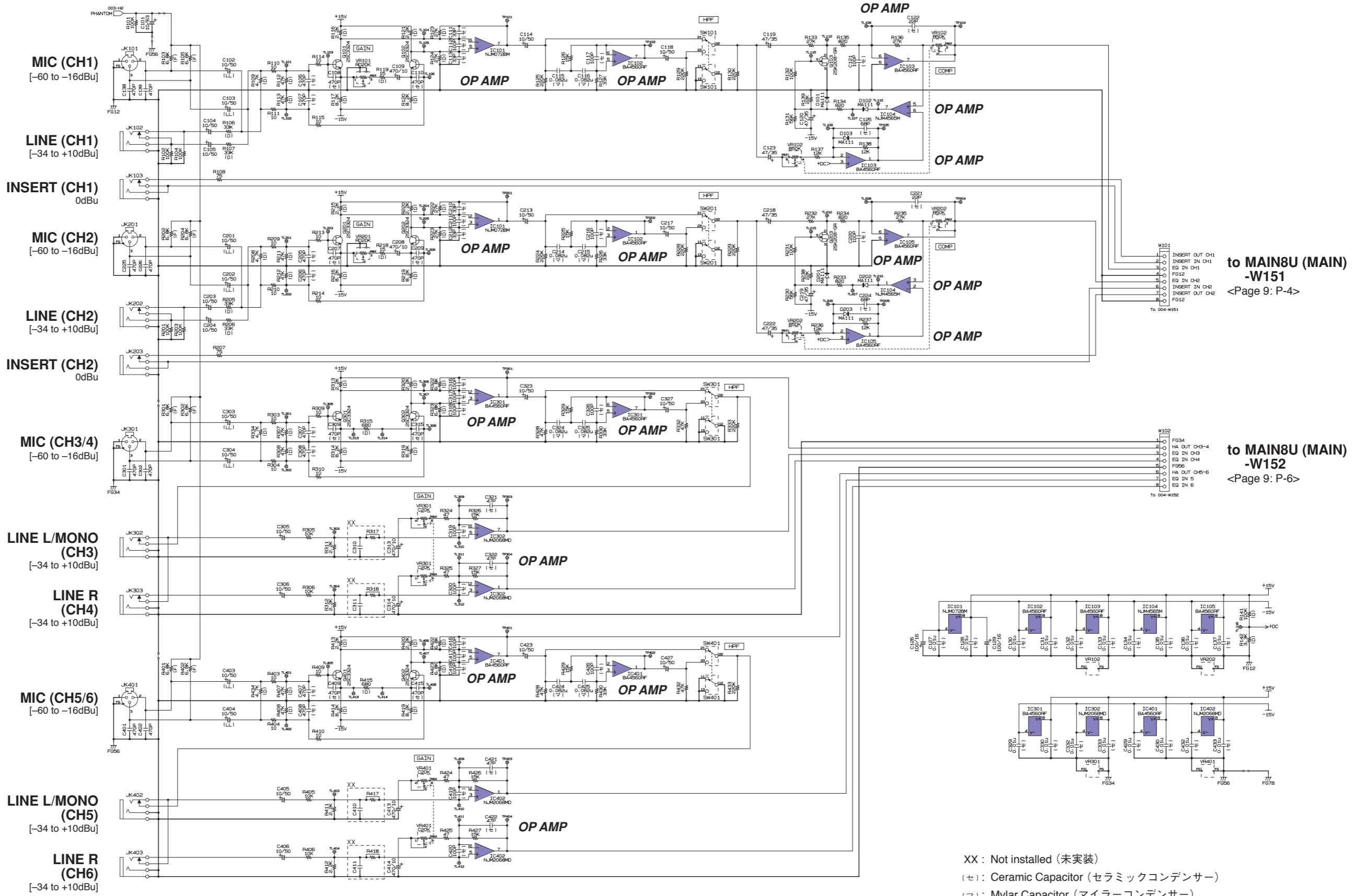
1: ANODE
2: CATHODE

•2SC3324-GR, BL (V7421700)
TRANSISTOR
MAIN8U: Q101, Q102, Q201, Q202, Q301, Q302, Q401, Q402

1: BASE
2: EMITTER
3: COLLECTOR

•2SK208-GR (WH249200)
FET
MAIN8U: Q103, Q203

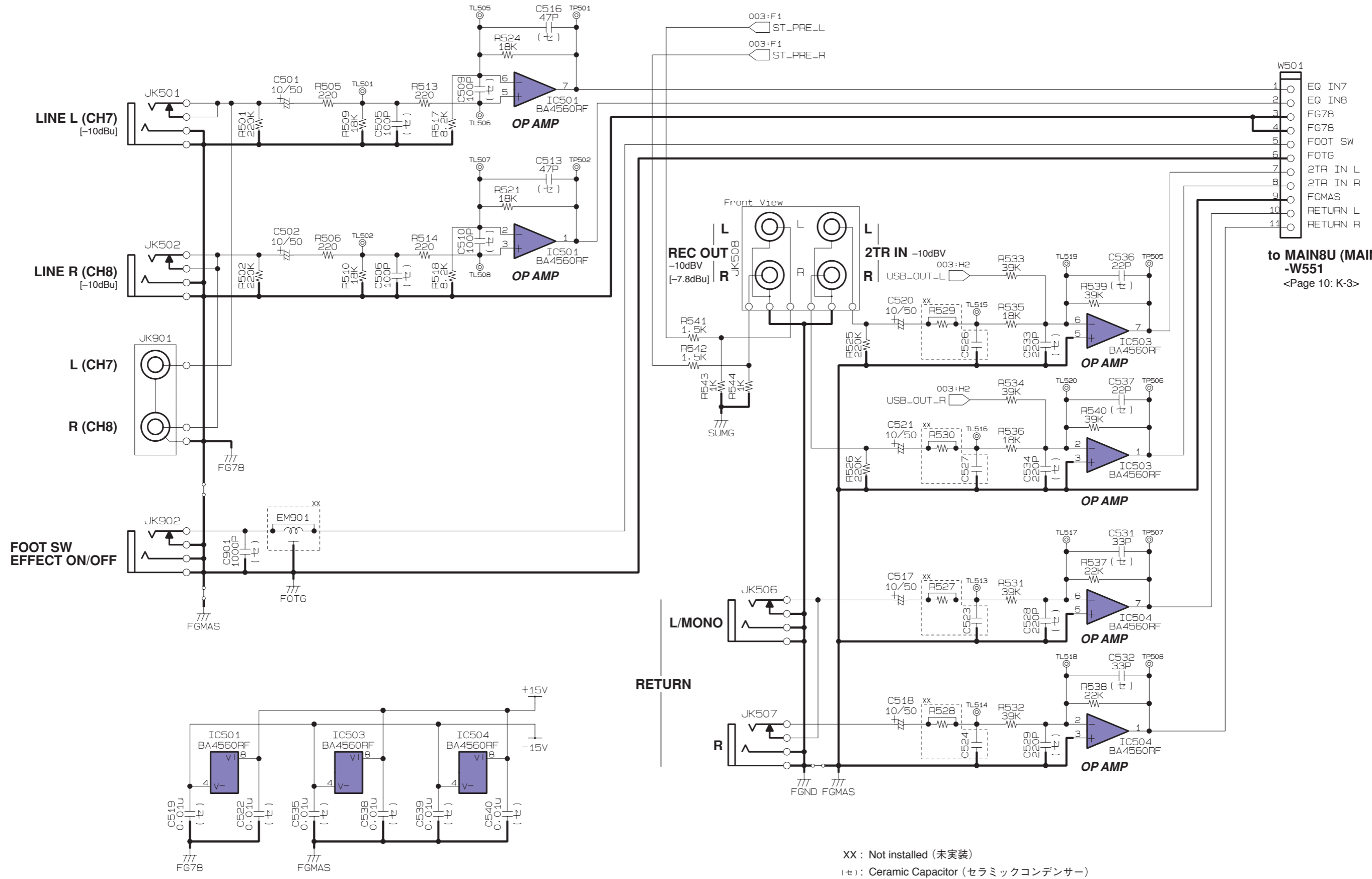
1: SOURCE
2: DRAIN
3: GATE



- XX : Not installed (未実装)
- (セ) : Ceramic Capacitor (セラミックコンデンサー)
- (マ) : Mylar Capacitor (マイラーコンデンサー)
- (LL) : Electrolytic Capacitor (電解コンデンサー)
- (F) : Metal Film Resistor (金属被膜抵抗)

MAIN8U (JACK) CIRCUIT DIAGRAM (MW8CX) 002

MW8CX/MW10C



- 1 EQ IN7
- 2 EQ IN8
- 3 FG78
- 4 FG78
- 5 FOOT SW
- 6 FOTG
- 7 2TR IN L
- 8 2TR IN R
- 9 FGMAS
- 10 RETURN L
- 11 RETURN R

to MAIN8U (MAIN) -W551
<Page 10: K-3>

XX : Not installed (未実装)
(セ): Ceramic Capacitor (セラミックコンデンサー)

MAIN8U (JACK) CIRCUIT DIAGRAM (MW8CX) 003

MW8CX/MW10C

1
 •KIA7815API-U/P (X4930A00)
 REGULATOR +15V
 MAIN8U: IC01

1: INPUT
 2: GND
 3: OUTPUT

2
 •KIA7915PI-U/P (X4931A00)
 REGULATOR -15V
 MAIN8U: IC02

1: COMMON
 2: INPUT
 3: OUTPUT

3
 •KIA7812API (X4153A00)
 REGULATOR +12V
 MAIN8U: IC03

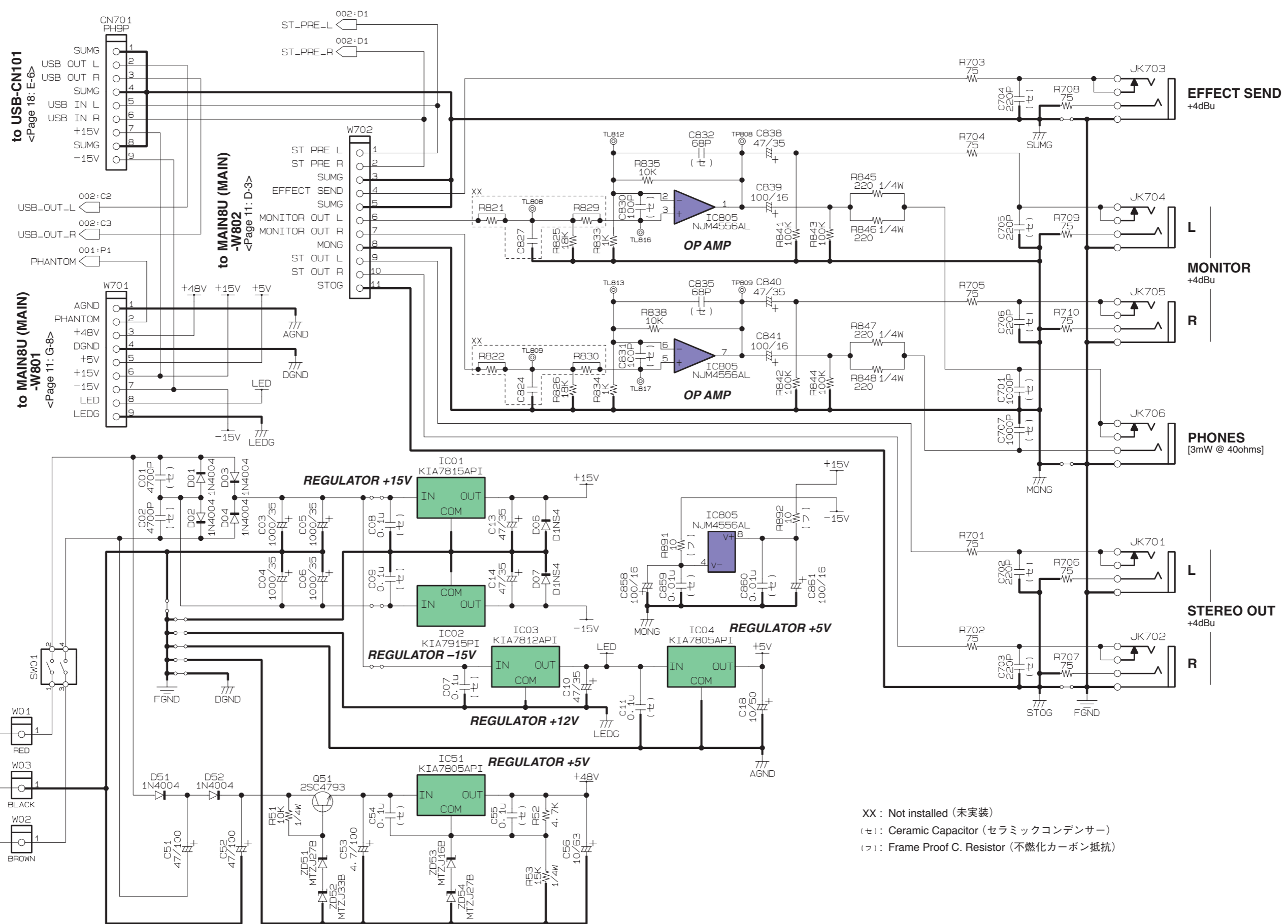
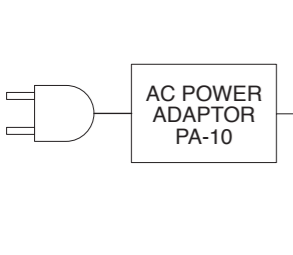
1: INPUT
 2: GND
 3: OUTPUT

4
 •KIA7805API/P (X4928A00)
 REGULATOR +5V
 MAIN8U: IC04, IC51

1: INPUT
 2: GND
 3: OUTPUT

5
 •2SC4793 (VQ547300)
 TRANSISTOR
 MAIN8U: Q51

1: BASE
 2: COLLECTOR
 3: EMITTER



XX : Not installed (未実装)
 (セラ) : Ceramic Capacitor (セラミックコンデンサー)
 (フ) : Frame Proof C. Resistor (不燃化カーボン抵抗)

MAIN8U (MAIN) CIRCUIT DIAGRAM (MW8CX) 004

MW8CX/MW10C

to MAIN8U (JACK)
-W101
<Page 6: C-4>

to MAIN8U (JACK)
-W102
<Page 6: C-7>

•MA111 (VR496500)
DIODE
MAIN8U: D351-353, D451-453

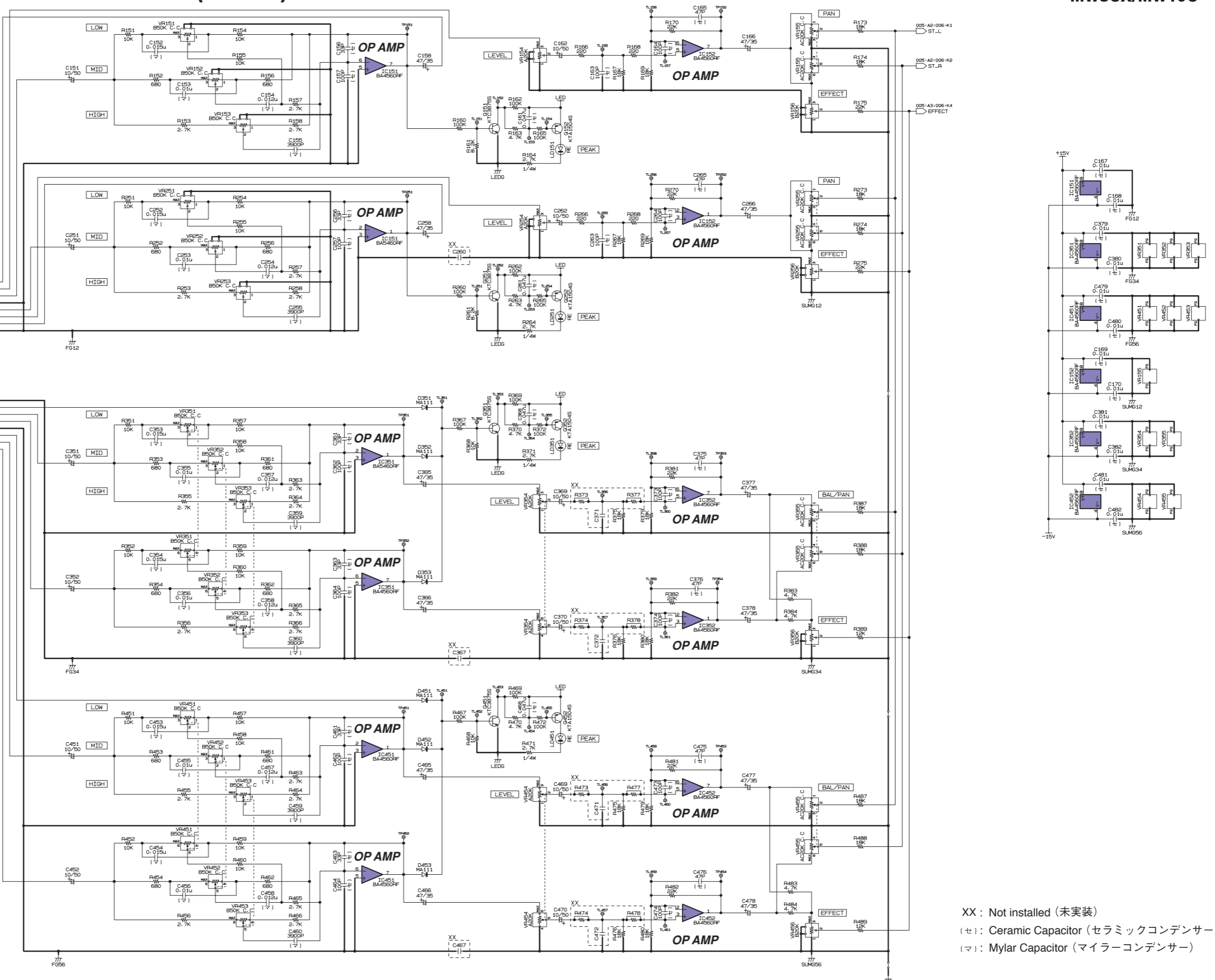
1: ANODE
2: CATHODE

•KTC3875S-Y, GR-RTK/ (WC529400)
TRANSISTOR
MAIN8U: Q151, Q251, Q351, Q451

1: EMITTER
2: BASE
3: COLLECTOR

•KTA1504S-Y, GR-RTK/ (WC529500)
TRANSISTOR
MAIN8U: Q152, Q252, Q352, Q452

1: EMITTER
2: BASE
3: COLLECTOR

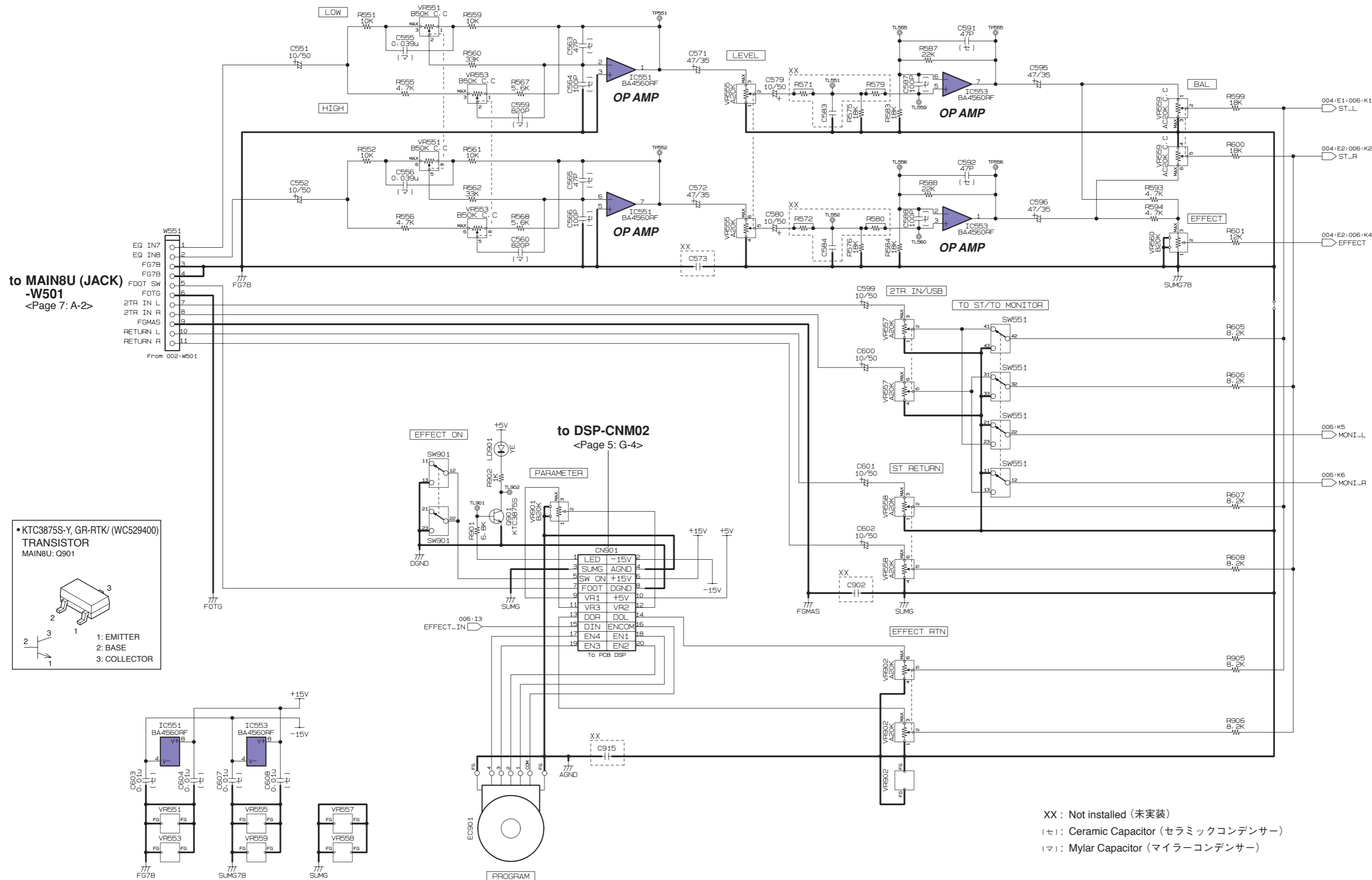


XX : Not installed (未実装)
(セ) : Ceramic Capacitor (セラミックコンデンサー)
(マ) : Mylar Capacitor (マイラーコンデンサー)

1
2
3
4
5
6
7
8
9
10
11
12

MAIN8U (MAIN) CIRCUIT DIAGRAM (MW8CX) 005

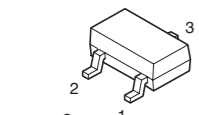
MW8CX/MW10C



to MAIN8U (JACK)
-W501
<Page 7: A-2>

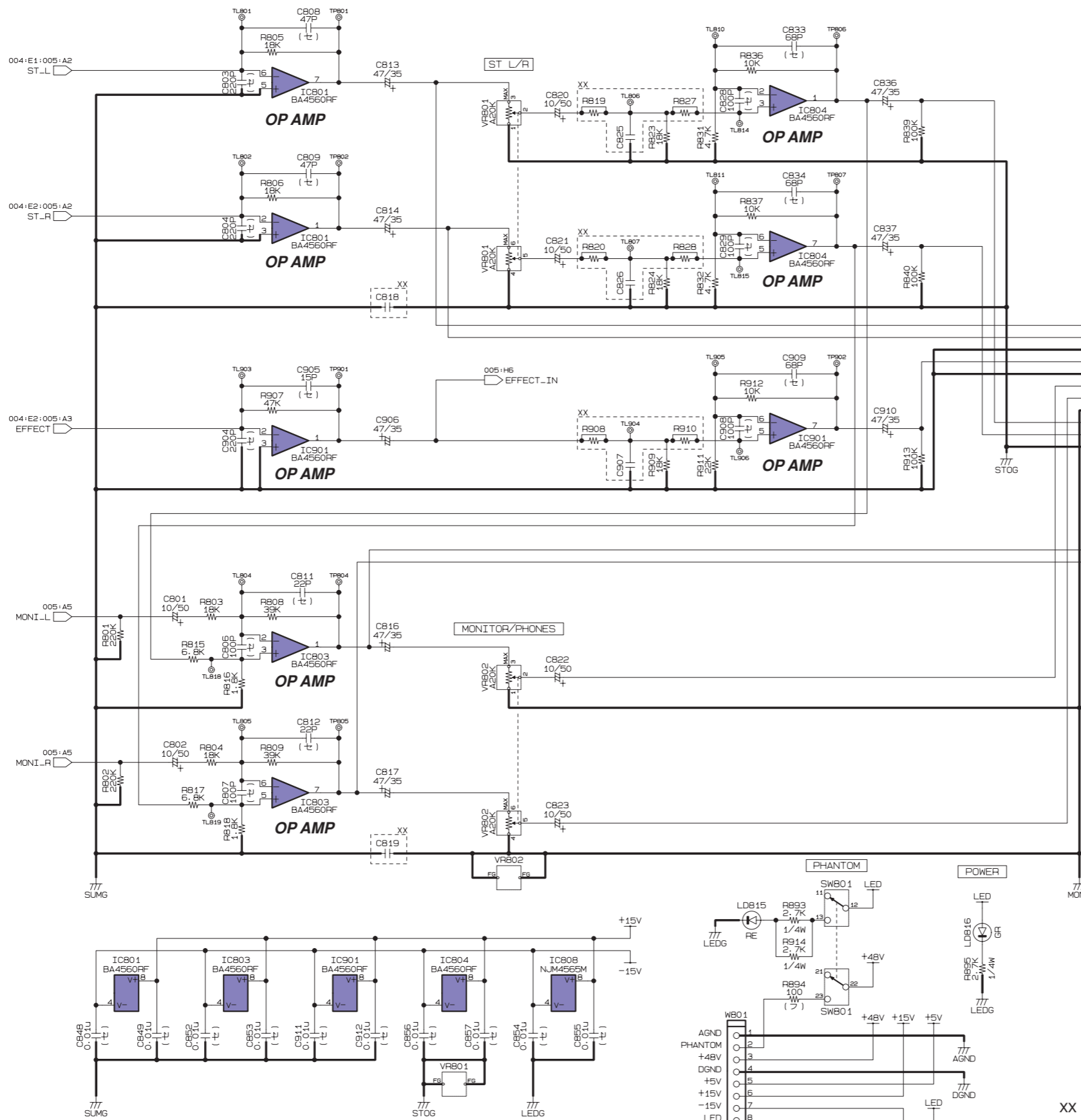
to DSP-CNM02
<Page 5: G-4>

•KTC3875S-Y, GR-RTK/ (WC529400)
TRANSISTOR
MAIN8U: Q901



XX : Not installed (未実装)
(セ) : Ceramic Capacitor (セラミックコンデンサー)
(マ) : Mylar Capacitor (マイラーコンデンサー)

MAIN8U (MAIN) CIRCUIT DIAGRAM (MW8CX) 006



to MAIN8U (JACK)
-W702
<Page 8: F-2>

LED LEVEL METER

XX : Not installed (未実装)
(セ) : Ceramic Capacitor (セラミックコンデンサー)
(フ) : Frame Proof C. Resistor (不燃化カーボン抵抗)

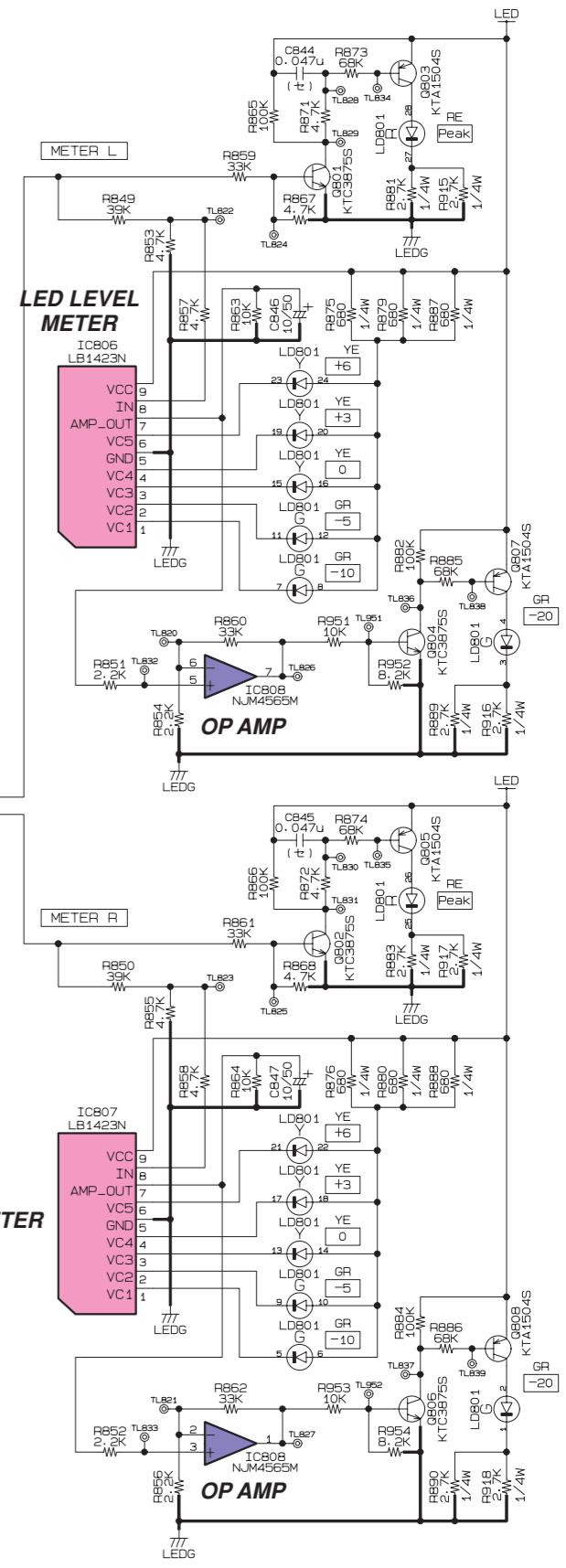
• KTC3875S-Y, GR-RTK/ (WC529400)
TRANSISTOR
MAIN8U: Q801, Q802, Q804, Q806

1: EMITTER
2: BASE
3: COLLECTOR

• KTA1504S-Y, GR-RTK/ (WC529500)
TRANSISTOR
MAIN8U: Q803, Q805, Q807, Q808

1: EMITTER
2: BASE
3: COLLECTOR

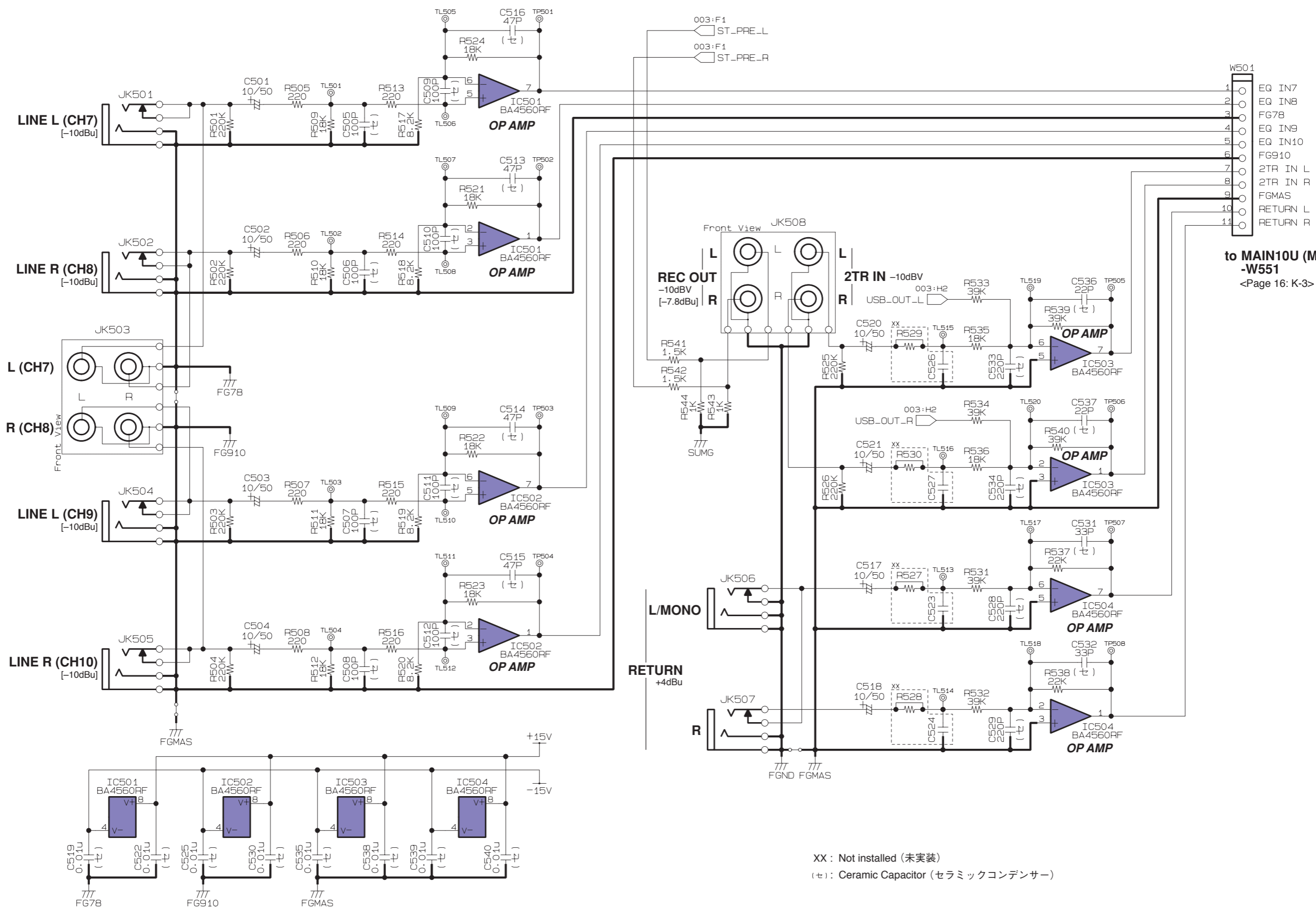
MW8CX/MW10C



to MAIN8U (JACK)
-W701
<Page 8: H-3>

MAIN10U (JACK) CIRCUIT DIAGRAM (MW10C) 002

MW8CX/MW10C



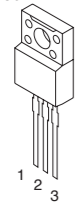
to MAIN10U (MAIN)
-W551
<Page 16: K-3>

XX : Not installed (未実装)
(セ) : Ceramic Capacitor (セラミックコンデンサー)

MAIN10U (JACK) CIRCUIT DIAGRAM (MW10C) 003

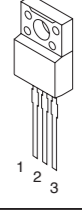
MW8CX/MW10C

1 • KIA7815API-U/P (X4930A00) REGULATOR +15V MAIN10U: IC01



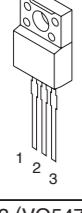
1: INPUT
2: GND
3: OUTPUT

2 • KIA7915PI-U/P (X4931A00) REGULATOR -15V MAIN10U: IC02



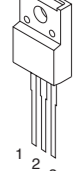
1: COMMON
2: INPUT
3: OUTPUT

3 • KIA7805API/P (X4928A00) REGULATOR +5V MAIN10U: IC51

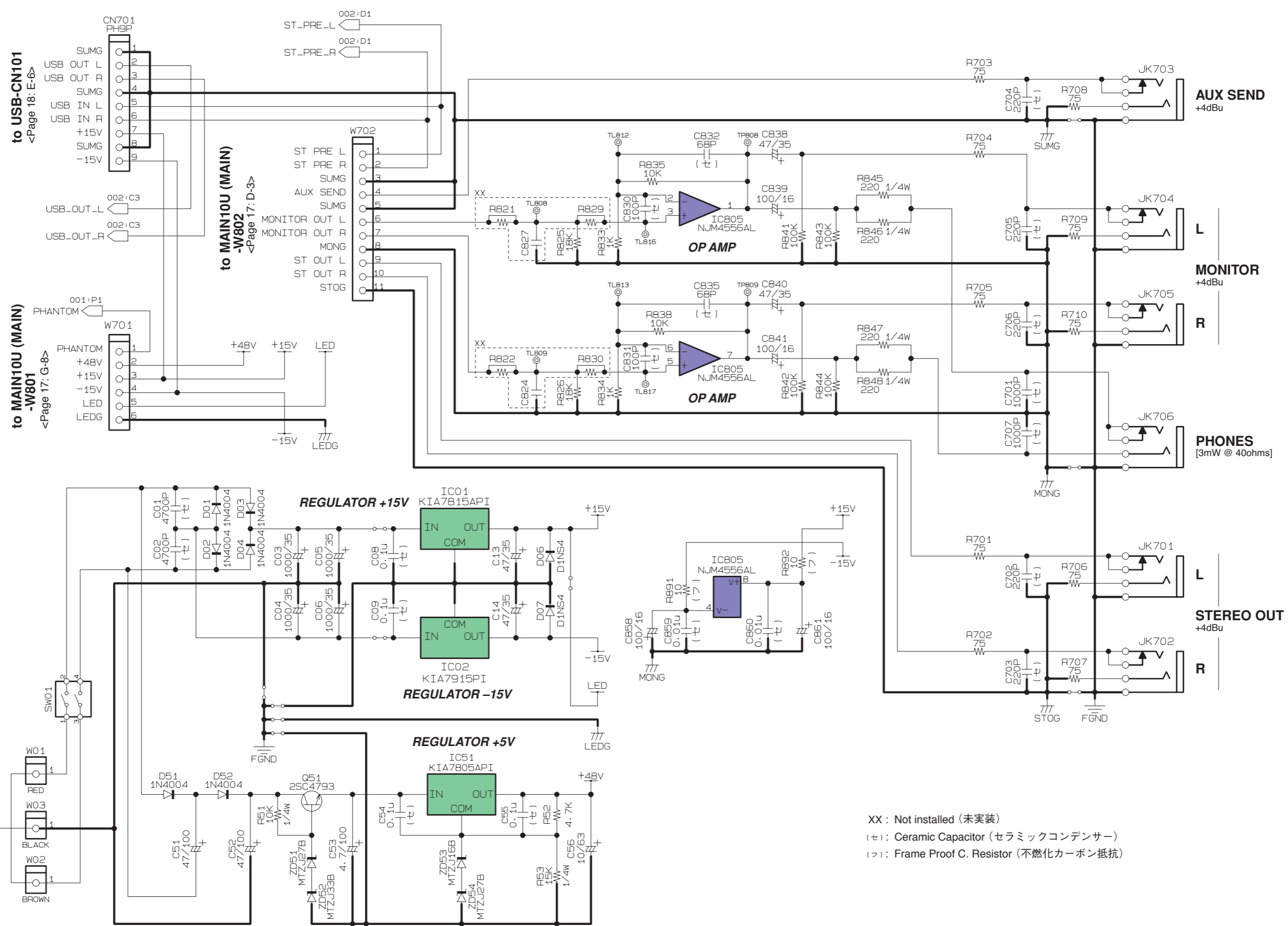


1: INPUT
2: GND
3: OUTPUT

4 • 2SC4793 (VQ547300) TRANSISTOR MAIN10U: Q51



1: BASE
2: COLLECTOR
3: EMITTER



XX : Not installed (未実装)
 (セラ) : Ceramic Capacitor (セラミックコンデンサー)
 (フ) : Frame Proof C. Resistor (不燃化カーボン抵抗)

MAIN10U (MAIN) CIRCUIT DIAGRAM (MW10C) 004

MW8CX/MW10C

to MAIN10U (JACK)
-W101
<Page 12: C-4>

to MAIN10U (JACK)
-W102
<Page 12: C-7>

•MA111 (VR496500)
DIODE
MAIN10U: D351-353, D451-453

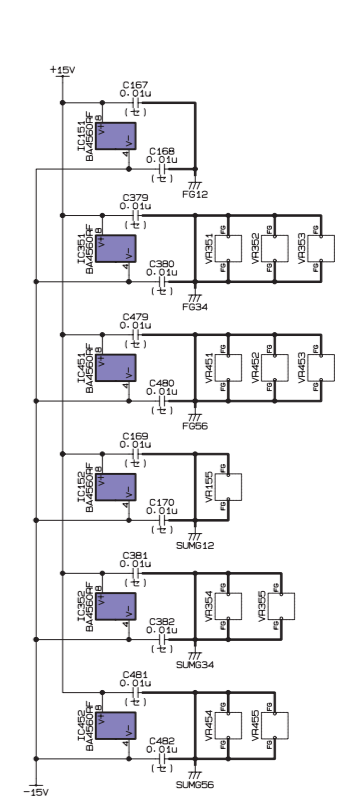
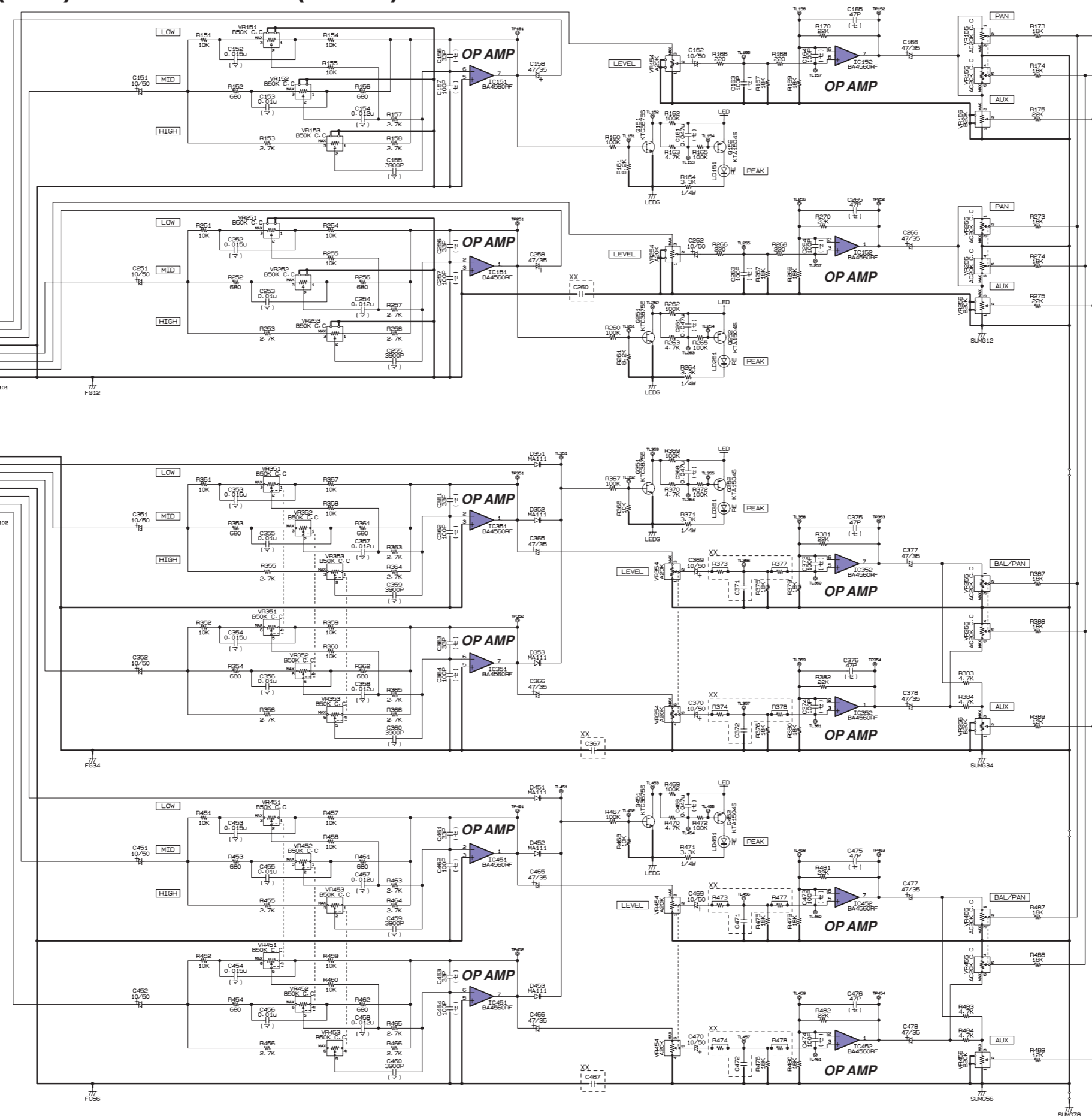
1: ANODE
2: CATHODE

•KTC3875S-Y, GR-RTK/ (WC529400)
TRANSISTOR
MAIN10U: Q151, Q251, Q351, Q451

1: EMITTER
2: BASE
3: COLLECTOR

•KTA1504S-Y, GR-RTK/ (WC529500)
TRANSISTOR
MAIN10U: Q152, Q252, Q352, Q452

1: EMITTER
2: BASE
3: COLLECTOR



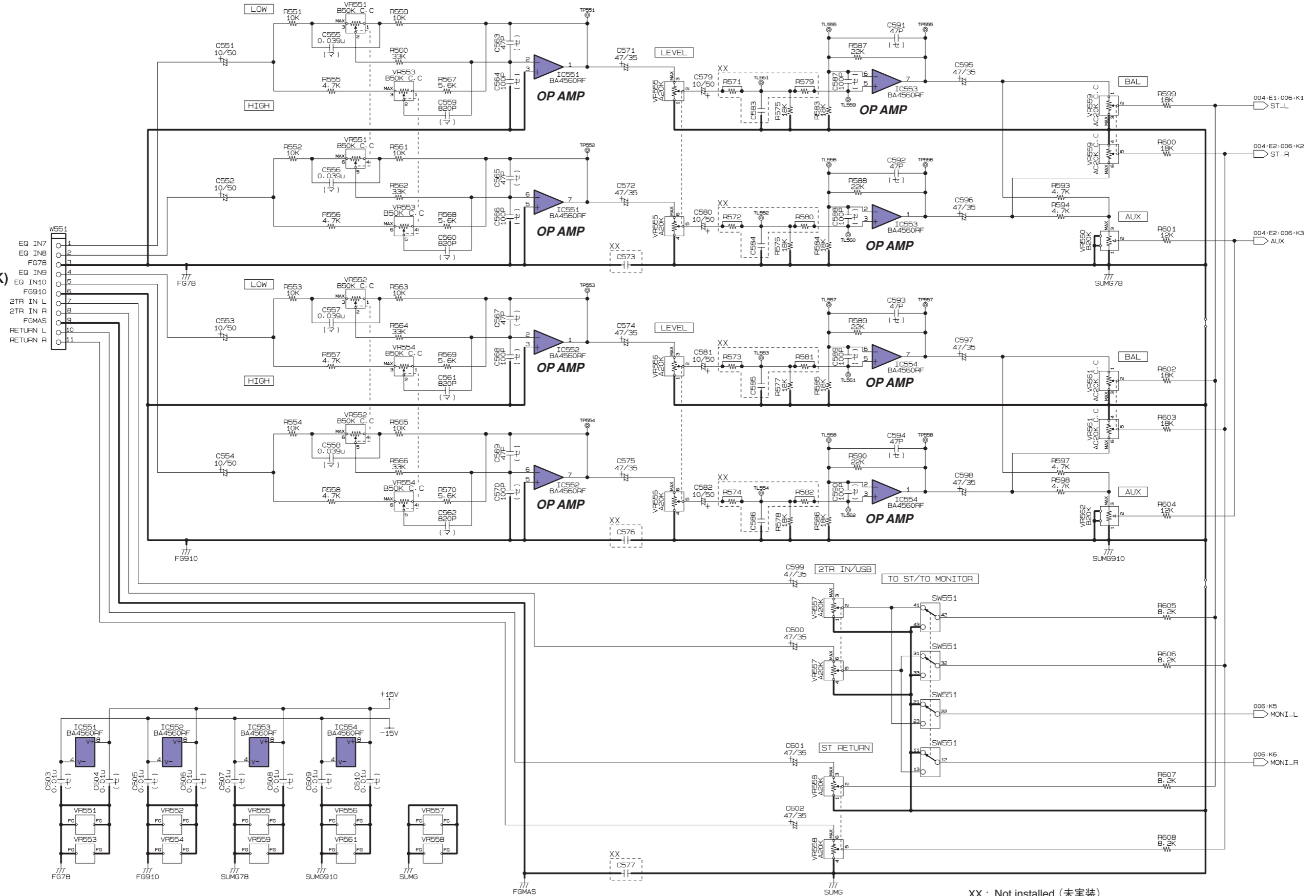
XX : Not installed (未実装)
(セ) : Ceramic Capacitor (セラミックコンデンサー)
(マ) : Mylar Capacitor (マイラーコンデンサー)

1
2
3
4
5
6
7
8
9
10
11
12

MAIN10U (MAIN) CIRCUIT DIAGRAM (MW10C) 005

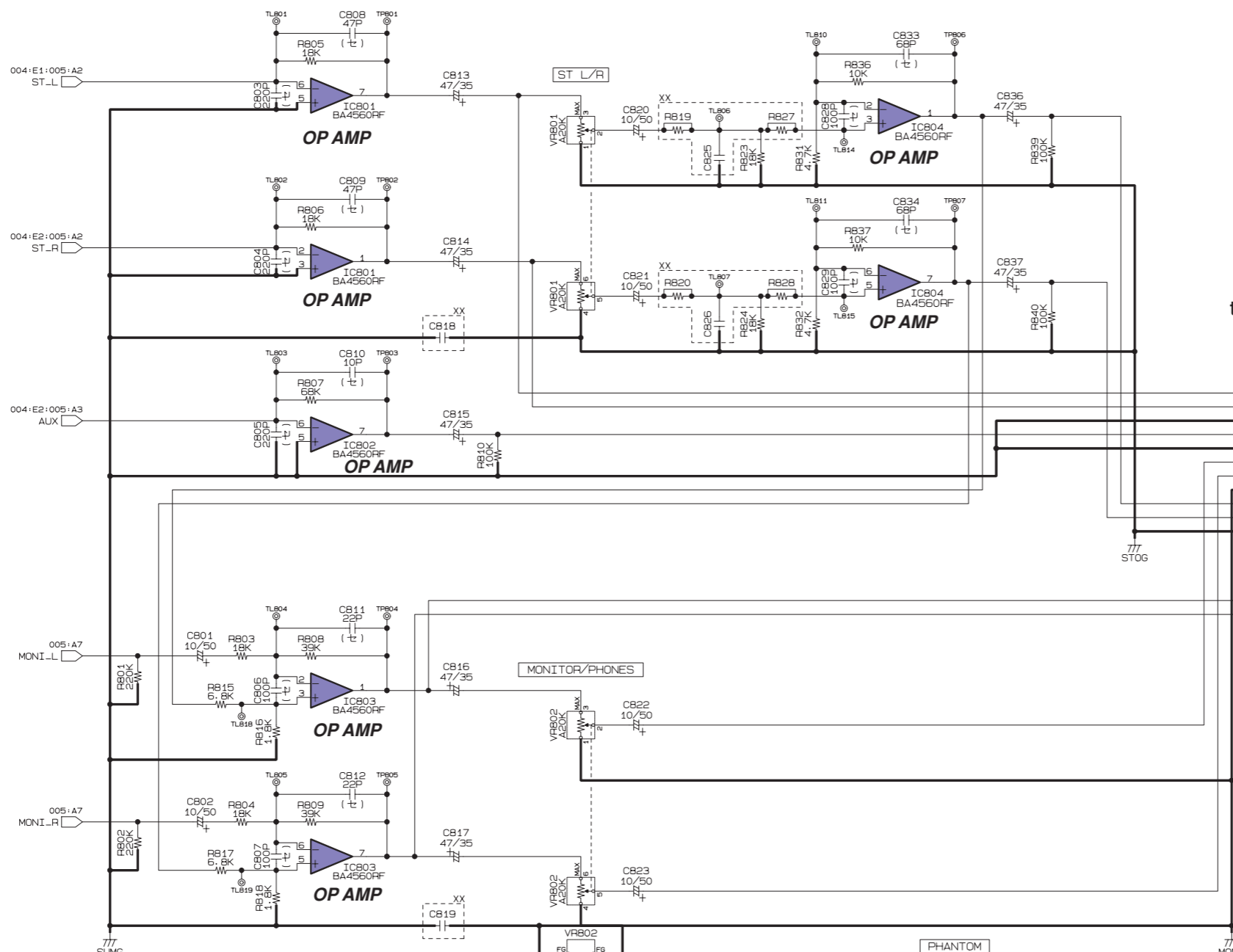
MW8CX/MW10C

to MAIN10U (JACK)
-W501
<Page 13: A-2>

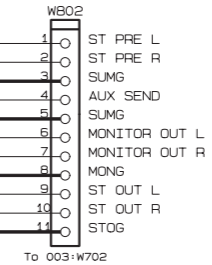


XX : Not installed (未実装)
 (セ) : Ceramic Capacitor (セラミックコンデンサー)
 (マ) : Mylar Capacitor (マイラーコンデンサー)

MAIN10U (MAIN) CIRCUIT DIAGRAM (MW10C) 006

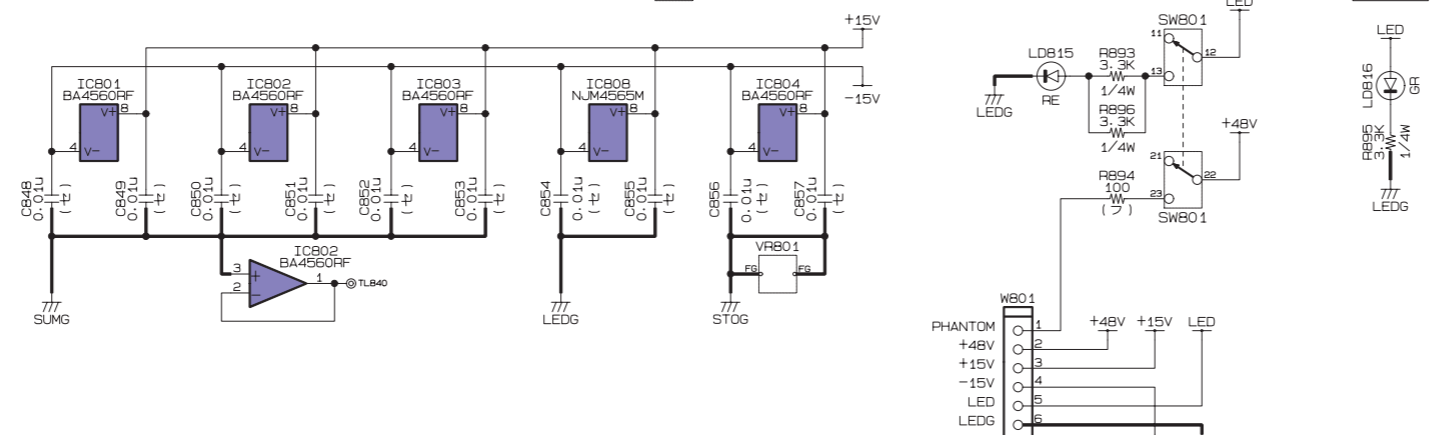


to MAIN10U (JACK)
-W702
<Page 14: F-2>



• KTC3875S-Y, GR-RTK/ (WC529400)
TRANSISTOR
MAIN10U: Q801, Q802, Q804, Q806

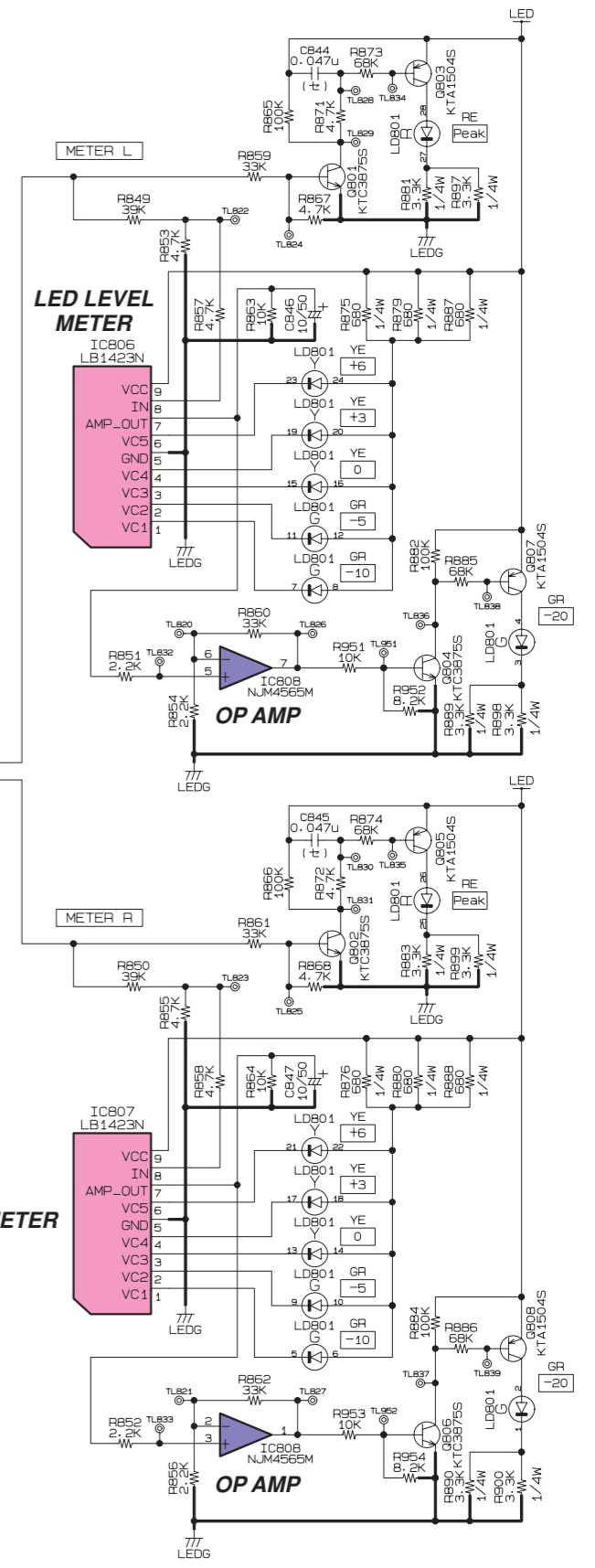
• KTA1504S-Y, GR-RTK/ (WC529500)
TRANSISTOR
MAIN10U: Q803, Q805, Q807, Q808



to MAIN10U (JACK)
-W701
<Page 14: H-3>

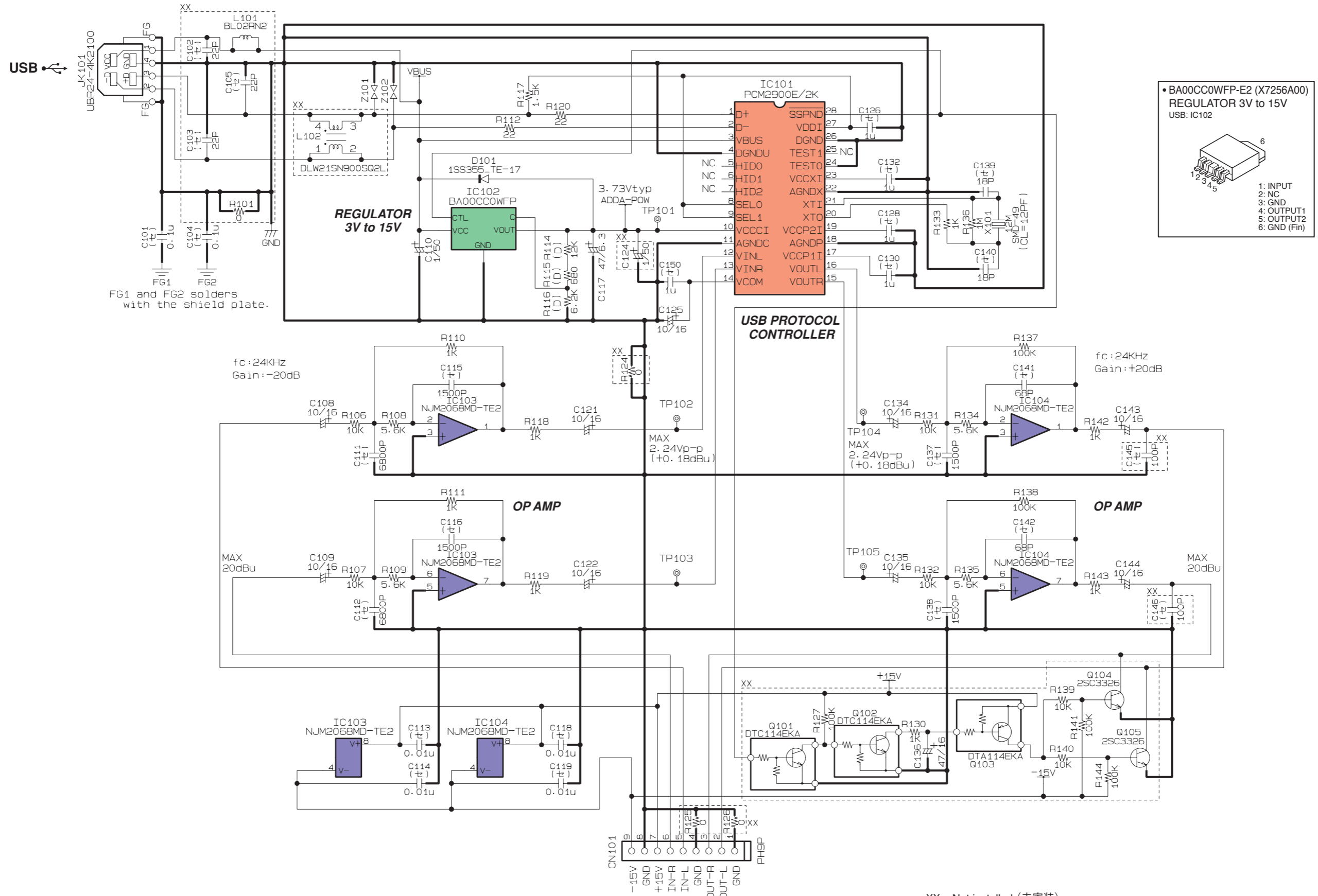
XX : Not installed (未実装)
(セ) : Ceramic Capacitor (セラミックコンデンサー)
(フ) : Frame Proof C. Resistor (不燃化カーボン抵抗)

MW8CX/MW10C



■ USB CIRCUIT DIAGRAM (MW8CX/MW10C)

MW8CX/MW10C



• BA00CC0WFP-E2 (X7256A00)
REGULATOR 3V to 15V
USB: IC102

1: INPUT
2: NC
3: GND
4: OUTPUT1
5: OUTPUT2
6: GND (Fin)

to MAIN8U (JACK) -CN701 (MW8CX)
<Page 8: H-1>
to MAIN10U (JACK) -CN701 (MW10C)
<Page 14: H-1>

XX : Not installed (未実装)
(セ) : Ceramic Capacitor (セラミックコンデンサー)